

The product using material and processing must conform to the "WL-PZ-001"HSF technical standard control requirements



- NOTE:
- MATERIAL SPECIFICATION:
1-1.TERMINAL: BRASS
 - PLATING SPECIFICATION:
2-1.TERMINAL:
TIN/GOLD FLASH PLATED OVER ALL.
 - ELECTRICAL PERFORMANCE:
3-1.CURRENT RATING: 15A
RATED VOLTAGE : 600V
3-2.CONTACT RESISTANCE: 3.5 mΩ MAX
3-3.INSULATION RESISTANCE: 1000MΩ Min
3-4.DIELECTRIC WITHSTANDING : 5000V AC
 - ENVIRONMENTAL PERFORMANCE:
4-1.OPERATING TEMPERATURE: -25°C~+85°C.
 - PACKAGE SPEC : REEL

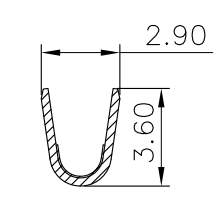
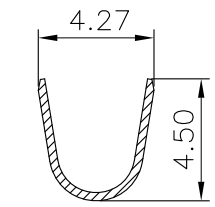
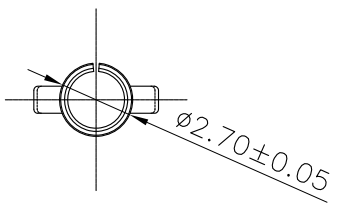
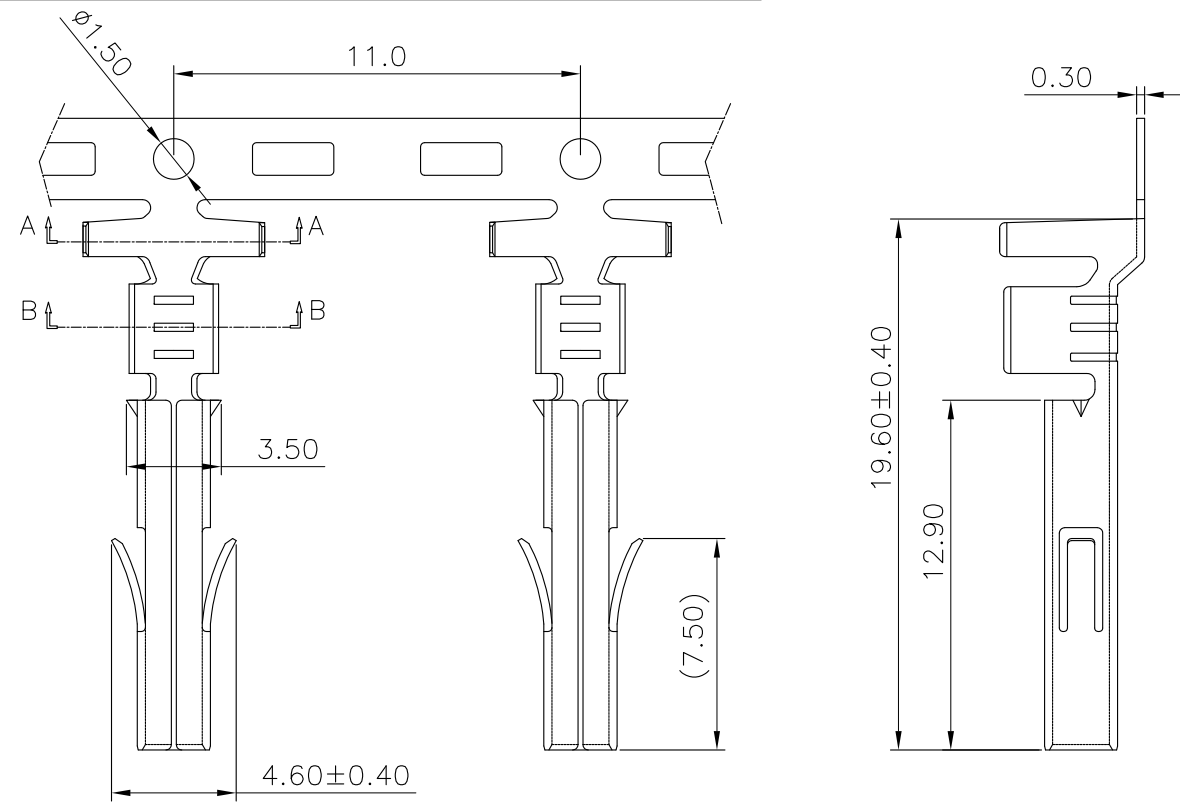
6.P/N: C6351 T 1 F X-X

SERIES NO: _____ PLATING:
C-BRIGHT TIN

CONNECTOR: _____ T-TERMINAL

TYPE CODE _____ METAL:
B-BRASS

MALE FEMALE: _____ F-FEMALE



Ordering Information & Specifications

Part No	Wire Range	Qty/reel
C6351T1FX-X	AWG20#-16#	4000PCS

REV.	REVISION RECORD	DATE	UNIT:mm	GENERAL TOLERANCES		SCALE: 1:1	NAME	DATE	PART.NO: C6351T1FX-X	DWG.NO: ENDE05	
				LINEAR	ANGLES						
A0	NEW RELEASE	21.11.17		0.0±0.35	X°REF±6°	APPROVED	Wang_jr	23.12.08			
A1	DIMENSIONS CHANGE	23.12.05		0.00±0.25	X°±3°	DESIGNER	Han_Gao	23.12.08	TITLE: Pitch 6.35mm MX FEMALE 端子 AWG20#-16#	REV: A2	SHEET: 1/1
A2	IN KIND BASIS CHANGE DRAWINGS	23.12.08	SIZE: A4	0.000±0.10	X°X' ±2°	DRAWN	Zijun_Huang	23.12.08			