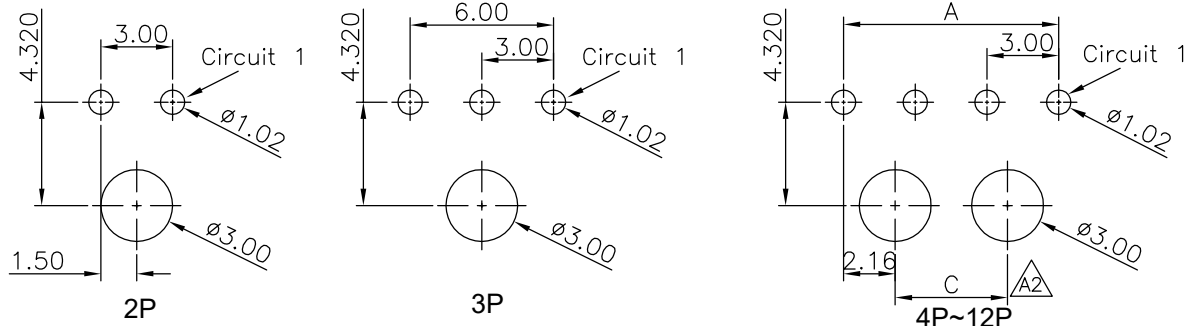
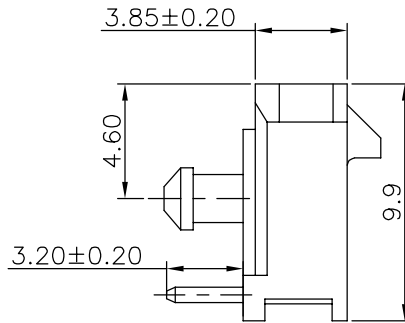
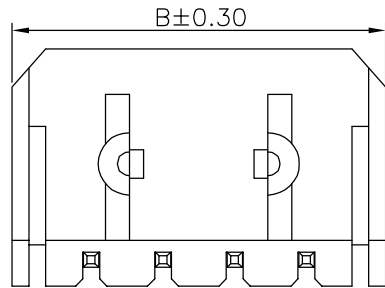
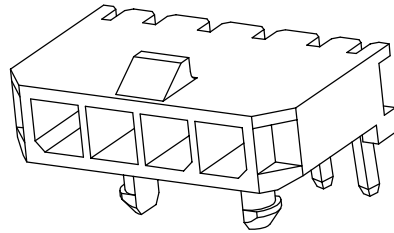
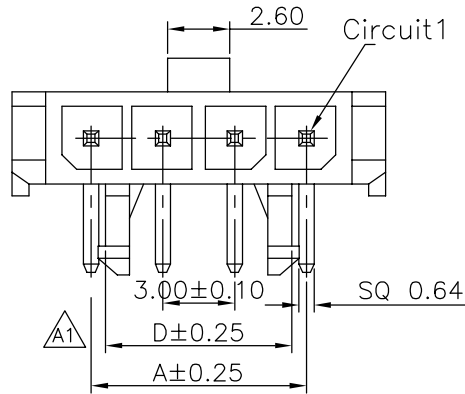


The product using material and processing must conform to the "WI-PZ-142"HSF technical standard control requirements

RoHS



RECOMMENDED PCB LAYOUT
(GENERAL TOLERANCE:±0.05)



NOTE:

- MATERIAL SPECIFICATION:
1-1.HOUSING: LCP NATURE UL94V-0,BLACK
1-2.CONTACTS: BRASS
- PLATING SPECIFICATION:
2-1.CONTACTS:
TIN PLATED OVER ALL.
- ELECTRICAL PERFORMANCE:
3-1. RATED CURRENT : 5A AC,DC
3-2.INSULATION RESISTANCE: 1000MΩ MIN
3-3.CONTACT RESISTANCE : 10mΩ(MAX.)
3-4.WITHSTANDING VOLTAGE: 1000V AC/minute
- ENVIRONMENTAL PERFORMANCE:
OPERATING TEMPERATURE: -40°C~+105°C.
- PACKAGE SPEC: PE BAG
- PART.NO:

SERIES NO: C3030 W 9-1 XX 1 X X 0
 CONNECTOR: W-WAFER
 ANGLE: 9-90°
 0-180°
 ROW NO: 1-SINGLE ROW
 PIN Q'PY: 02~24
 COLOR: A-BLACK S-NATURE
 PLATING: A-ALL AU G/F C-BRIGHT TIN D-MATTE TIN
 TERMIPOINT: 1-DIP

Circuit	Dimensions(mm)				Circuit	Dimensions(mm)			
	A	B	C	D		A	B	C	D
01	---	6.65	---		07	18.00	24.65	14.00	16.70
02	3.00	9.65	---	3.00	08	21.00	27.65	17.00	19.70
03	6.00	12.65	---	3.00	09	24.00	30.65	20.00	22.70
04	9.00	15.65	5.00	7.70	10	27.00	33.65	23.00	25.70
05	12.00	18.65	8.00	10.70	11	30.00	36.65	26.00	28.70
06	15.00	21.65	11.00	13.70	12	33.00	39.65	29.00	31.70

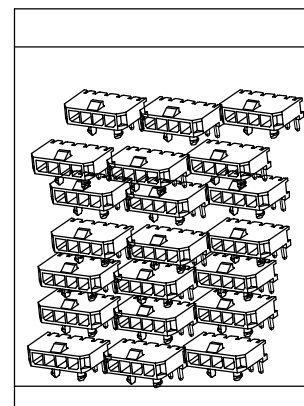
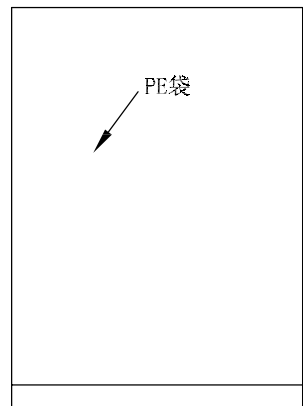
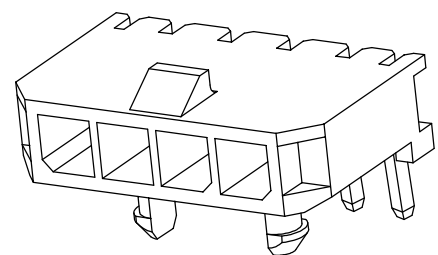
REV.	REVISION RECORD	DATE	GENERAL TOLERANCES		SCALE:	NAME	DATE	PART.NO:	DWG.NO:
A0	NEW RELEASE	21.01.13	LINEAR	ANGLES	1:1				
A1	PART NUMBER RENEWAL	23.09.14	0.0±0.35	X'REF±6°	APPROVED	Wang_jr	23.10.27	C3030W9-1XX1XX0	ENDE05
A2	MODIFY THE SIZE ACCORDING TO THE ACTUAL OBJECT	23.10.27	0.00±0.25	X'±3°	DESIGNER	Ding_bo	23.10.27	TITLE: 3.00mm Crimp Style connectors	
			0.000±0.10	X'X' ±2°	DRAWN	LX_HOU	23.10.27		REV: A2 SHEET: 1/2



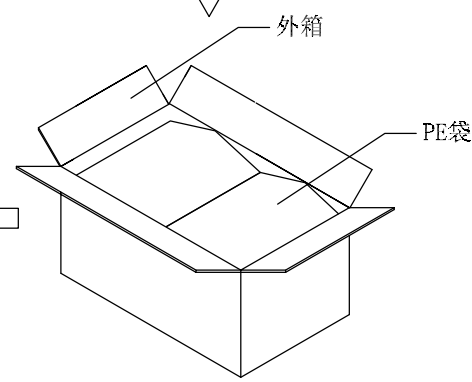
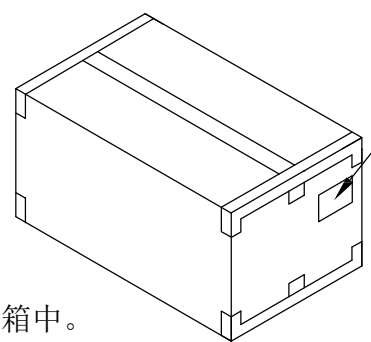
WanLian Technology Co., Ltd

The product using material and processing must conform to the "WI-PZ-142"HSF technical standard control requirements

RoHS



Poles	Bag Pcs	BOX Bag	BOX PCS
02	1000	10	10000
03	1000	10	10000
04	1000	8	8000
05	1000	8	8000
06	1000	8	8000
07	500	8	4000
08	500	8	4000
09	500	8	4000
10	500	6	3000
11	500	6	3000
12	500	6	3000



- 注意事项:
1. 产品不可少数、多数;
 2. 内外包装均需有数量标签;
 3. 不同PIN位包装时须分开放置不可装入同一外箱中。
 4. 同一订单尾数包装需用不影响品质之物品填充并注明尾数。
 5. 产品防水袋封口前需放1-2包干燥剂于包装内。

箱子规格:420*270*190MM (K=K)

REV.	REVISION RECORD	DATE		GENERAL TOLERANCES		SCALE: 1:1	NAME	DATE	PART.NO:	DWG.NO:	
A0	NEW RELEASE	21.01.13		LINEAR	ANGLES	APPROVED	Wang_jr	23.10.27	C3030W9-1XX1XX0	ENDE05	
A1	PART NUMBER RENEWAL	23.09.14	UNIT:mm	0.0±0.35	X'REF±6'	DESIGNER	Ding_bo	23.10.27	TITLE: 3.00mm Crimp Style connectors	REV: A2	SHEET: 2/2
A2	MODIFY THE SIZE ACCORDING TO THE ACTUAL OBJECT	23.10.27		0.00±0.25	X'±3'	DRAWN	LX_HOU	23.10.27			
			SIZE: A4	0.000±0.10	X'X' ±2'						