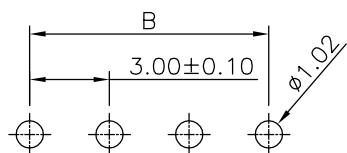
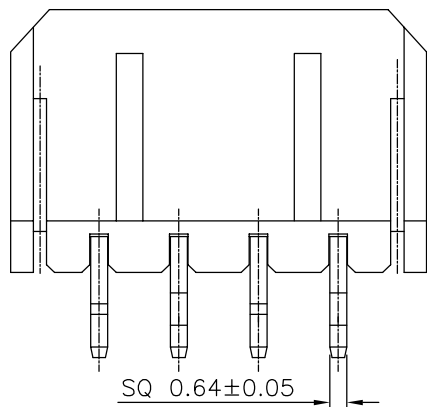
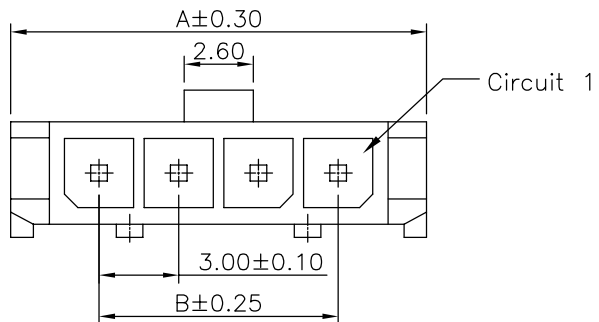
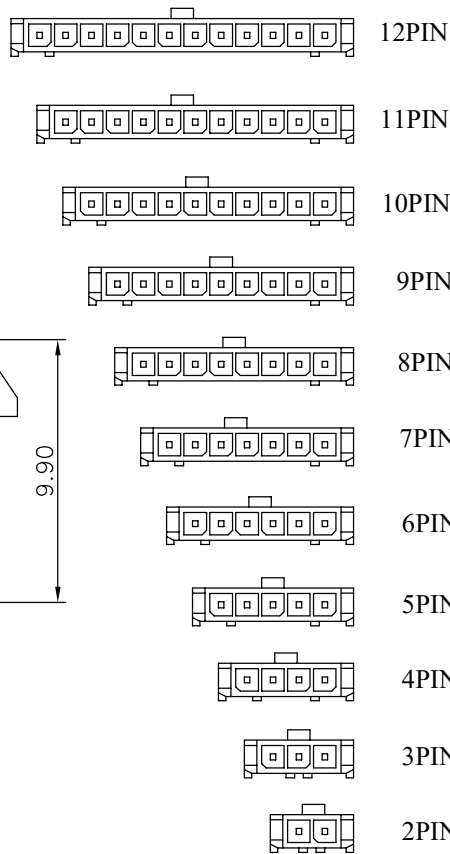


The product using material and processing must conform to the "WI-PZ-142"HSF technical standard control requirements

RoHS+HF



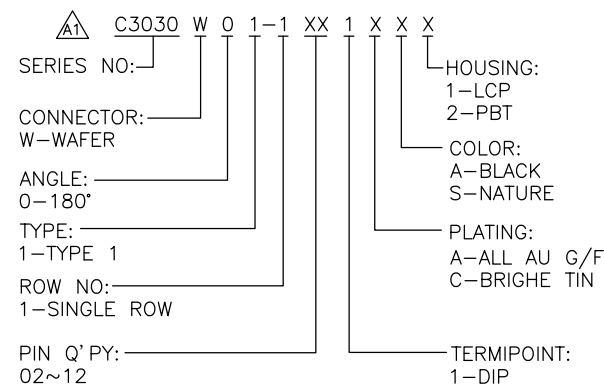
RECOMMENDED PCB LAYOUT
(GENERAL TOLERANCE:±0.05)



孔位图

NOTE:

- 1.MATERIAL SPECIFICATION:
1-1.HOUSING: LCP/PBT UL94V-0,BLACK
1-2.CONTACTS: BRASS
- 2.PLATING SPECIFICATION:
2-1.CONTACTS:
TIN PLATED OVER ALL.
- 3.ELECTRICAL PERFORMANCE:
3-1. RATED CURRENT : 5A AC,DC
3-2.INSULATION RESISTANCE: 1000MΩ MIN
3-3.CONTACT RESISTANCE : 10mΩ(MAX.)
3-4.WITHSTANDING VOLTAGE: 1000V AC/minute
- 4.ENVIRONMENTAL PERFORMANCE:
OPERATING TEMPERATURE: -40°C~+105°C.
- 5.PACKAGE SPEC: PE BAG
- 6.PART.NO:



Ordering Information & Dimensions

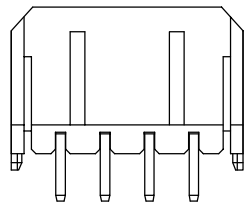
Circuit	Dimensions (mm)		Circuit	Dimensions (mm)	
	A	B		A	B
02	9.65	3.00	08	27.65	21.00
03	12.65	6.00	09	30.65	24.00
04	15.65	9.00	10	33.65	27.00
05	18.65	12.00	11	36.65	30.00
06	21.65	15.00	12	39.65	33.00
07	24.65	18.00			

REV.	REVISION RECORD	DATE	UNIT:mm	GENERAL TOLERANCES		SCALE: 1:1	NAME	DATE	PART.NO: C3030W01-1XX1XXX	DWG.NO: ENDE05	TITLE: MX 3.00mm Single Row DIP 180° Wafer	REV: A1	SHEET: 1/2
A0	NEW RELEASE	21.01.13		LINEAR	ANGLES	APPROVED							
A1	PART NUMBER RENEWAL	23.09.13	0.00±0.25	X'±3'	DESIGNER	Ding_bo	23.09.13						
			0.00±0.10	X'X' ±2'	DRAWN	LX_HOU	23.09.13						

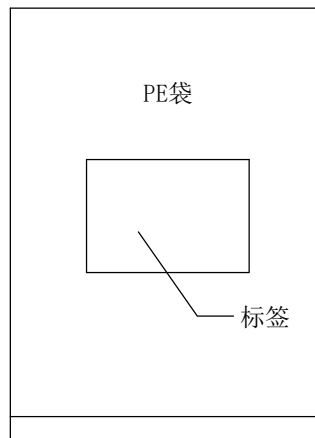
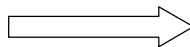


The product using material and processing must conform to the "WI-PZ-142"HSF technical standard control requirements

RoHS+HF

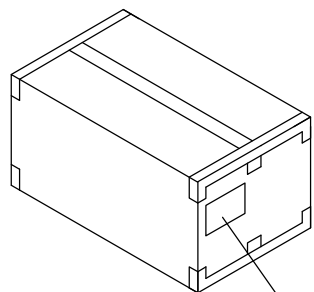
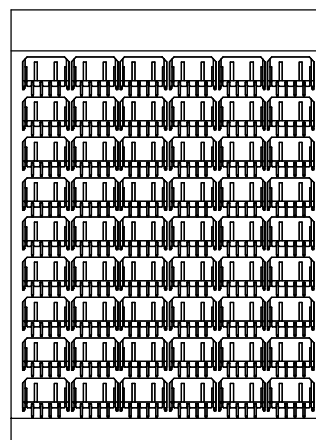


MOLEX 3.0 180度DIP带定位柱 Wafer

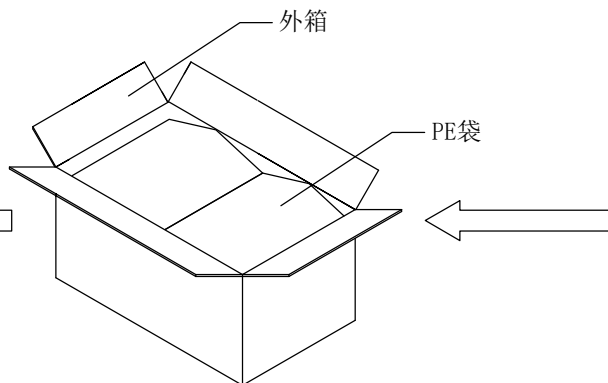


PE袋

标签



标签



外箱

PE袋

纸箱规格: 420*270*190MM

Poles	Bag Pcs	CARTON Bag	CARTON Pcs
02	1K	10	10K
03	1K	10	10K
04	1K	8	8K
05	1K	8	8K
06	1K	8	8K
07	1K	6	6K
08	1K	6	6K
09	0.5K	8	4K
10	0.5K	8	4K
11	0.5K	8	4K
12	0.5K	8	4K

注意事项:

1. 产品不可少数、多数;
2. 内外包装均需有数量标签;
3. 不同PIN位包装时须分开放置不可装入同一外箱中.
4. 同一订单尾数包装需用不影响品质之物品填充并注明尾数.
5. 产品防水袋封口前需放1-2包干燥剂于包装内

REV.	REVISION RECORD	DATE		GENERAL TOLERANCES		SCALE: 1:1	NAME	DATE	PART.NO:	DWG.NO:	
A0	NEW RELEASE	21.01.13		LINEAR	ANGLES	APPROVED	Wang_jr	23.09.13	C3030W01-1XX1XXX	ENDE05	
A1	PART NUMBER RENEWAL	23.09.13	UNIT:mm	0.00±0.25	X'±3'	DESIGNER	Ding_bo	23.09.13	TITLE:		REV: A1 SHEET: 2/2
			SIZE: A4	0.000±0.10	X'X' ±2'	DRAWN	LX_HOU	23.09.13	MX 3.00mm Single Row DIP 180° Wafer		

WanLian Technology Co., Ltd