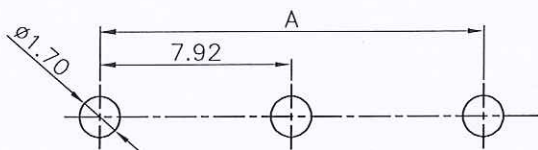
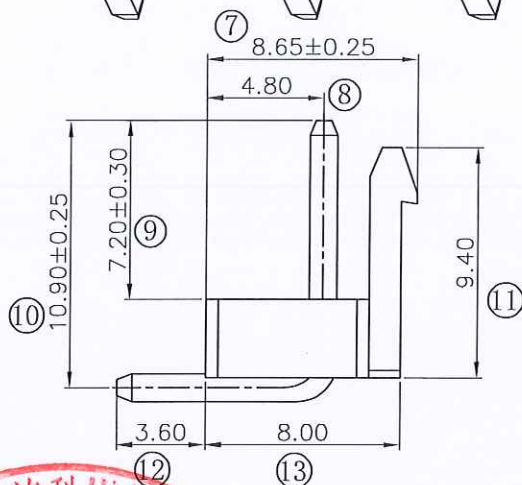
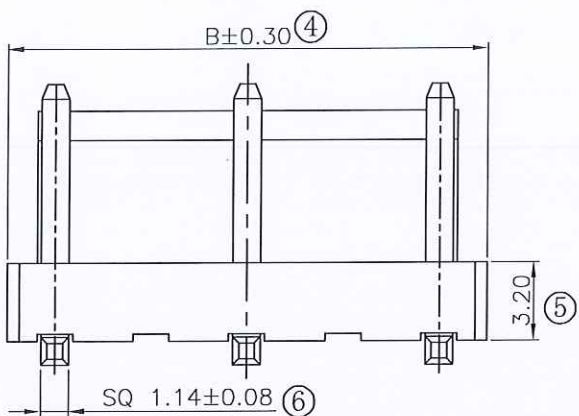
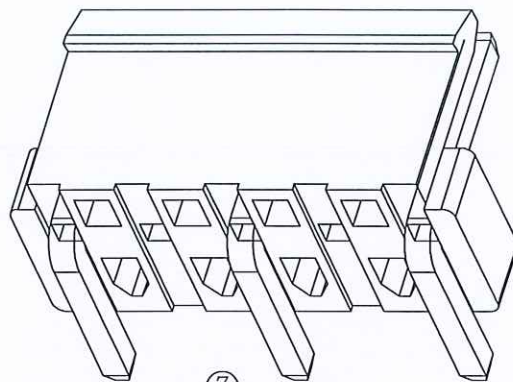
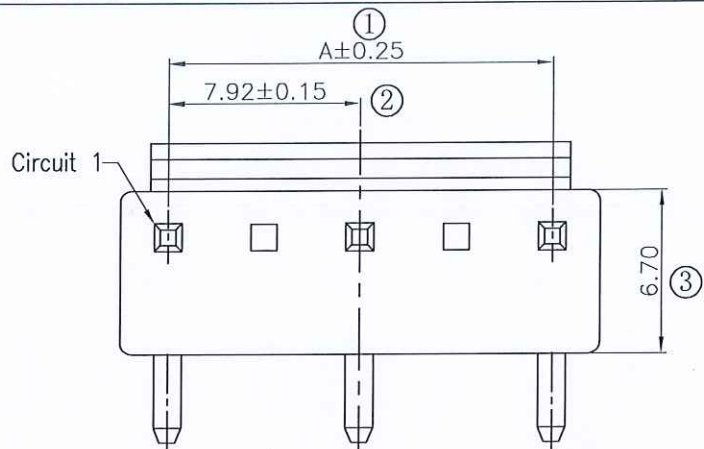


The product using material and processing must conform to the "WI-PZ-001"HSF technical standard control requirements



RECOMMENDED PCB LAYOUT
(GENERAL TOLERANCE:±0.05)



备注:
空偶数PIN位:
03Pin空第2Pin
05Pin空第2、4Pin
07Pin空第2、4、6Pin
.....

- NOTE:
- MATERIAL SPECIFICATION:
 - HOUSING: PA66,UL94V-0
 - CONTACTS: BRASS
 - PLATING SPECIFICATION:
 - CONTACTS: TIN/GOLD FLASH PLATED OVER ALL.
 - ELECTRICAL PERFORMANCE:
 - CURRENT RATING: 7A AC/DC
 - CONTACT RESISTANCE: 20 mΩ MAX
 - INSULATION RESISTANCE: 1000MΩ Min
 - DIELECTRIC WITHSTANDING : 1500V
 - ENVIRONMENTAL PERFORMANCE:
 - OPERATING TEMPERATURE: -25°C~+85°C.
 - PACKAGE SPEC: PE BAG
 - P/N:

RoHS+HF

SERIES NO: A3962 W 9 D-1 XX 1 X X X
 CONNECTOR: W-WAFER
 ANGLE: 9-90°
 TYPE: D-TYPE D
 ROW NO: 1-SINGLE ROW
 PIN Q'PY: 03~15

WATER CODE: 0-N/A
 COLOR: S-NATURE
 PLATING: C-BRIGHE TIN
 TERMIPOINT: 1-DIP

Ordering Information & Dimensions

Circuit	Dimensions(mm)	
	A	B
03	7.92	11.88
05	15.84	19.80
07	23.76	27.72
09	31.68	35.64
11	39.60	43.56
13	47.52	51.48
15	55.44	59.40

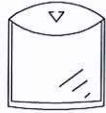
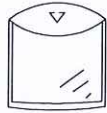
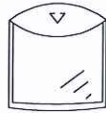
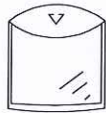
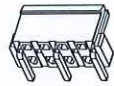
REV.	REVISION RECORD	DATE	GENERAL TOLERANCES		SCALE:	NAME	DATE	PART.NO:	DWG.NO:
A0	NEW RELEASE		LINEAR	ANGLES	1:1			A3962W9D-1XX1XXX	ENDE05
			0.0±0.35	X'REF±6'	APPROVED	梁林权	2024.7.3		
			UNIT:mm	0.00±0.25	CHECK	肖雨豪	2024.7.3	TITLE:	
			SIZE: A4	0.000±0.10	DRAWN	肖雨豪	2024.7.3	Pitch 3.96mm 90° 平弯 单排卧插 空偶数PIN 直背 Wafer	REV: A0 SHEET: 1/2



WanLian Technology Co., Ltd

The product using material and processing must conform to the "WI-PZ-001"HSF technical standard control requirements

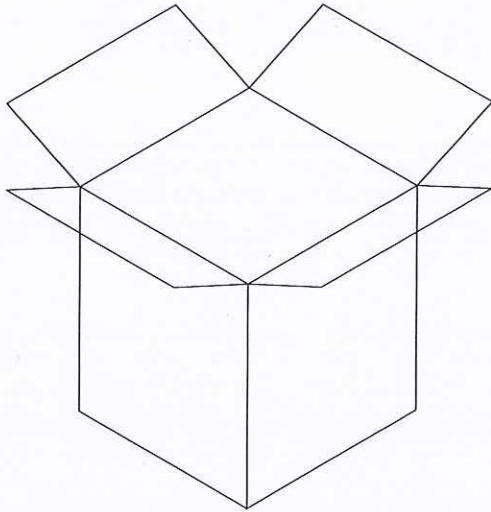
RoHS+HF



1. 纸箱装箱以不超过装箱线为准,空余位置用塑料泡沫及保尼龙填充;
2. 纸箱分小、中、标准型、大4种规格型号:装箱为整箱采用大型纸箱包装,未达到整箱数量以产品量适当采用小型、中型或标准型纸箱包装;
3. 因生产Pin位未齐全,每袋与整箱包装数量仅供参考,具体包装数量以实际出货为准,或批量出货更新后为准;

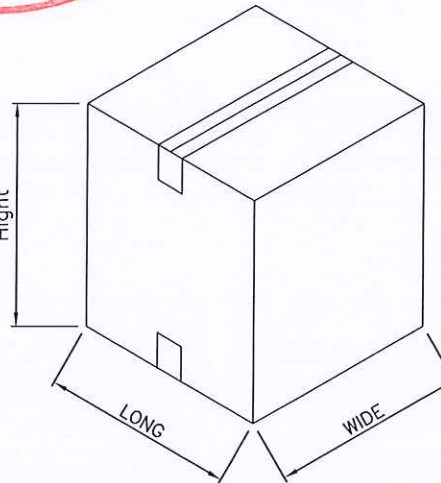
PE袋 1 Pcs

数量 :每袋=0.3~2Kpcs



纸箱型号 Carton Type	小型 Small Size	中型 Medium	标准型 Standard	大型 Large
长度 Long (CM)	35	35	35	46
宽度 Wide (CM)	35	35	35	46
高度 Hight (CM)	7.5	15	32	46

Hight



袋装包装数量	
CKT	PCS/BAG
2	2000
3	1000
4	1000
5	500
6	500
7	500
8	500
9	300
10	300
11	300
12	300
13	300
14	300
15	300
16	300

REV.	REVISION RECORD	DATE	UNIT:mm	GENERAL TOLERANCES		SCALE: 1:1	NAME	DATE	PART.NO:	DWG.NO:	WanLian Technology Co., Ltd
A0	NEW RELEASE			SIZE: A4	LINEAR 0.0±0.35	ANGLES X'REF±6°	APPROVED	梁材积	2024.7.3	A3962W9D-1XX1XXX	
				0.00±0.25	X'±3'	CHECK	肖雨曦	2024.7.3	TITLE: Pitch 3.96mm 90° 平弯 单排插插 空偶数PIN 直背 Wafer		REV: A0
				0.000±0.10	X'X' ±2'	DRAWN					SHEET: 2/2