

The product using material and processing must conform to the "WI-PZ-001"HSF technical standard control requirements

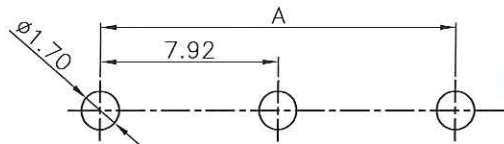
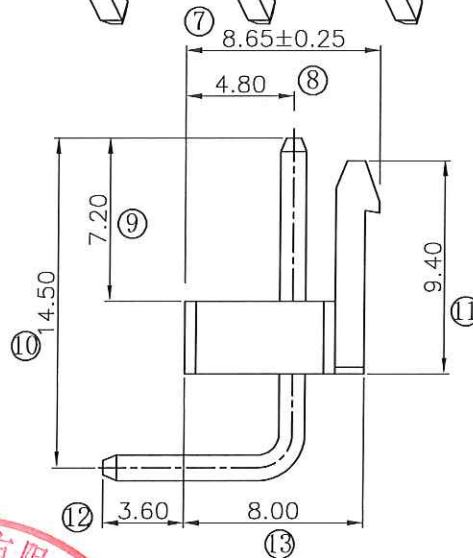
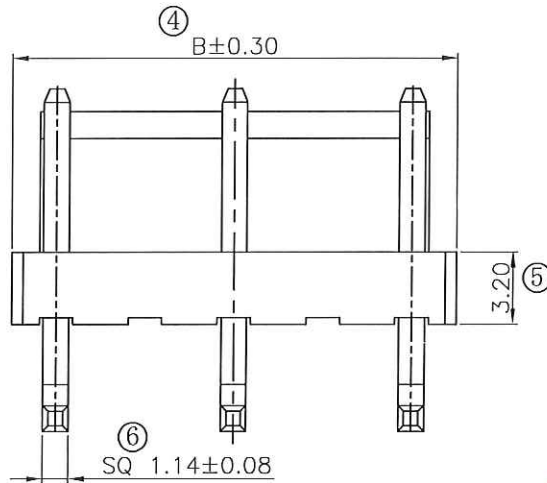
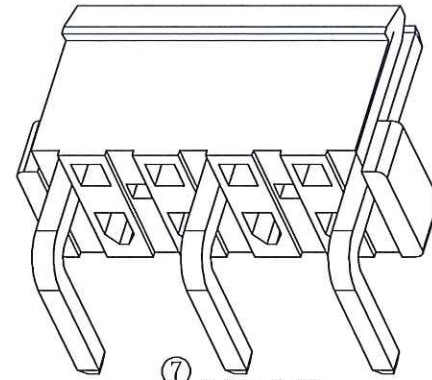
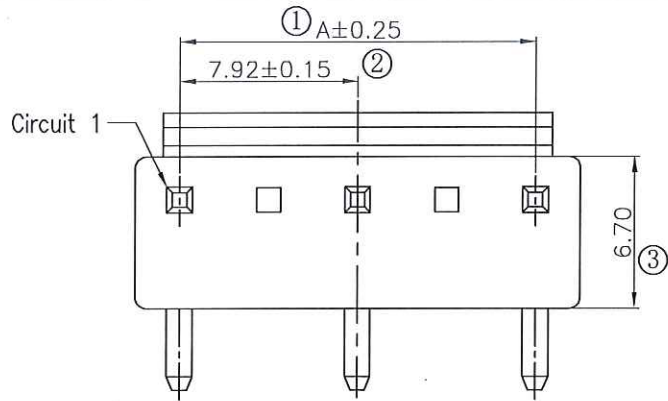
RoHS+HF

- NOTE:
- MATERIAL SPECIFICATION:
 - HOUSING: PA66,UL94V-0
 - CONTACTS: BRASS
 - PLATING SPECIFICATION:
 - CONTACTS: TIN/GOLD FLASH PLATED OVER ALL.
 - ELECTRICAL PERFORMANCE:
 - CURRENT RATING: 7A AC/DC
 - CONTACT RESISTANCE: 20 mΩ MAX
 - INSULATION RESISTANCE: 1000MΩ Min
 - DIELECTRIC WITHSTANDING : 1500V
 - ENVIRONMENTAL PERFORMANCE:
 - OPERATING TEMPERATURE: -25°C~+85°C.
 - PACKAGE SPEC: PE BAG
 - P/N:

SERIES NO: A3962 W 9 C-1 XX 1 X X X
 CONNECTOR: W-WAFER
 ANGLE: 9-90°
 TYPE: C-TYPE C
 ROW NO: 1-SINGLE ROW
 PIN Q'PY: 03~15
 WATER CODE: 0-N/A
 COLOR: S-NATURE
 PLATING: C-BRIGHE TIN
 TERMIPOINT: 1-DIP

Ordering Information & Dimensions

Circuit	Dimensions(mm)	
	A	B
03	7.92	11.88
05	15.84	19.80
07	23.76	27.72
09	31.68	35.64
11	39.60	43.56
13	47.52	51.48
15	55.44	59.40



RECOMMENDED PCB LAYOUT
 (GENERAL TOLERANCE:±0.05)

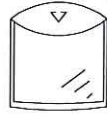
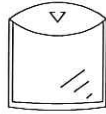
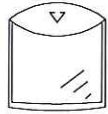


备注:
 空偶数PIN位:
 03Pin空第2Pin
 05Pin空第2、4Pin
 07Pin空第2、4、6Pin

REV.	REVISION RECORD	DATE	GENERAL TOLERANCES		SCALE:	NAME	DATE	PART.NO:	DWG.NO:
A0	NEW RELEASE		LINEAR	ANGLES	1:1	梁林积	2024.6.5	A3962W9C-1XX1XXX	ENDE05
			0.0±0.35	X'REF±6'	APPROVED	梁林积	2024.6.5	TITLE:	 WanLian Technology Co., Ltd REV: A0 SHEET: 1/2
			UNIT:mm	0.00±0.25	CHECK	肖雨晨	2024.6.5	Pitch 3.96mm 90° 高弯 单排卧插 空偶数PIN 直背 Wafer	
			SIZE: A4	0.000±0.10	DRAWN	肖雨晨	2024.6.5		

The product using material and processing must conform to the "WI-PZ-001" HSF technical standard control requirements

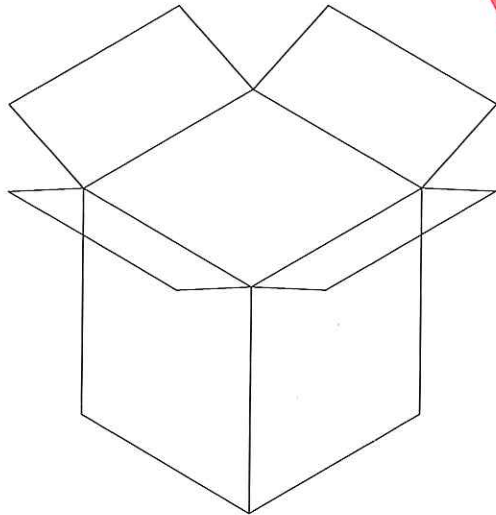
RoHS+HF



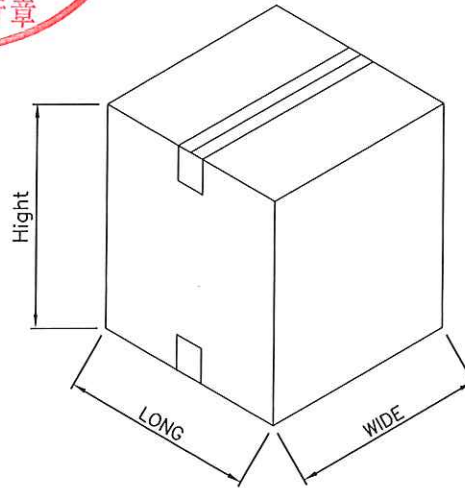
1. 纸箱装箱以不超过装箱线为准, 空余位置用塑料泡沫及保尼龙填充;
2. 纸箱分小、中、标准型、大4种规格型号: 装箱为整箱采用大型纸箱包装, 未达到整箱数量以产品量适当采用小型、中型或标准型纸箱包装;
3. 因生产Pin位未齐全, 每袋与整箱包装数量仅供参考, 具体包装数量以实际出货为准, 或批量出货更新后为准;

PE袋 1 Pcs

数量 : 每袋=0.3~2Kpcs



纸箱型号 Carton Type	小型 Small Size	中型 Medium	标准型 Standard	大型 Large
长度 Long (CM)	35	35	35	46
宽度 Wide (CM)	35	35	35	46
高度 Hight (CM)	7.5	15	32	46



袋装包装数量	
CKT	PCS/BAG
2	2000
3	1000
4	1000
5	500
6	500
7	500
8	500
9	300
10	300
11	300
12	300
13	300
14	300
15	300
16	300

REV.	REVISION RECORD	DATE	GENERAL TOLERANCES		SCALE: 1:1	NAME	DATE	PART.NO:	DWG.NO:	
AO	NEW RELEASE		 LINEAR 0.0±0.35	 ANGLES X'REF±6'	APPROVED	梁林积	2024.6.5	A3962W9C-1XX1XXX	ENDE05	
					CHECK	梁林积	2024.6.5			
			UNIT:mm	0.00±0.25	X'±3'	DRAWN	梁林积	2024.6.5	TITLE: Pitch 3.96mm 90° 高弯 单排卧插 空偶数PIN 直背 Wafer	
			SIZE: A4	0.000±0.10	X'X' ±2'			REV: AO SHEET: 2/2		



WanLian Technology Co., Ltd