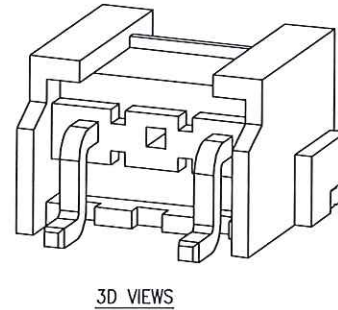
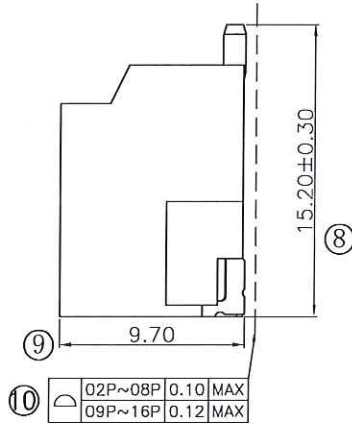
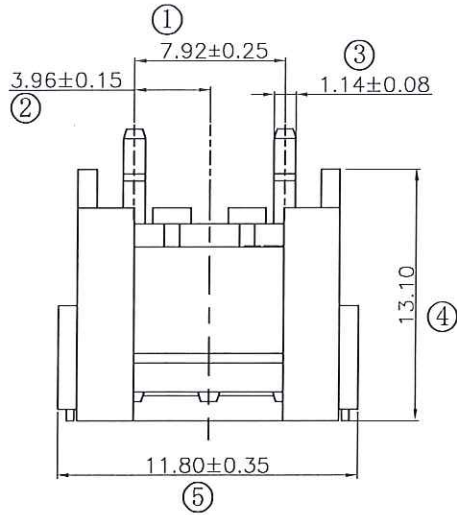


The product using material and processing must conform to the "WI-PZ-001" HSF technical standard control requirements

RoHS



- NOTE:
- MATERIAL SPECIFICATION:
 - HOUSING: LCP,UL94V-0
 - CONTACTS: BRASS
 - PLATING SPECIFICATION:
 - CONTACTS: TIN PLATED
 - ELECTRICAL PERFORMANCE:
 - CURRENT RATING: 7A
 - CONTACT RESISTANCE: 20 mΩ MAX
 - INSULATION RESISTANCE: 1000MΩ Min
 - DIELECTRIC WITHSTANDING : 1500V
 - ENVIRONMENTAL PERFORMANCE:
 - OPERATING TEMPERATURE: -25°C~+85°C.
 - PACKAGE SPEC: REEL
 - P/N:

⑩	02P~08P	0.10	MAX
	09P~16P	0.12	MAX

△ A3962 W 9 1-1 XX 2 X X X

SERIES NO: _____

CONNECTOR: _____

ANGLE: _____

TYPE: _____

ROW NO: _____

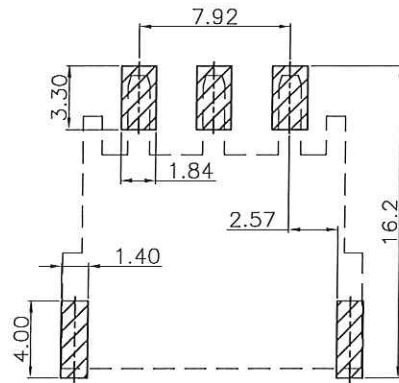
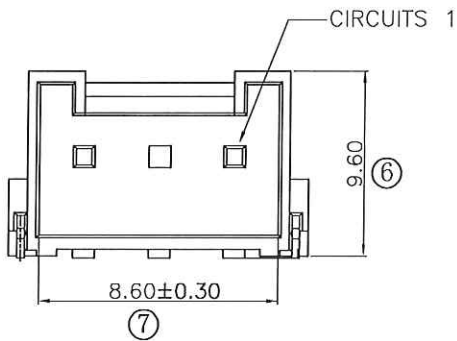
PIN Q'PY: _____

WATER CODE: 0-N/A

COLOR: A-BLACK, S-NATURE

PLATING: C-BRIGHT TIN

TERMIPOINT: 2-SMT



RECOMMENDED PCB LAYOUT
(GENERAL TOLERANCE:±0.05)



REV.	REVISION RECORD	DATE	GENERAL TOLERANCES	SCALE:	NAME	DATE	PART.NO:	DWG.NO:	WanLian Technology Co., Ltd
A0	NEW RELEASE	21.10.15	LINEAR	1:1			A3962W91-1XX2XXX	ENDE05	
A1	PART NUMBER RENEWAL		ANGLES	APPROVED	梁林取	2024.6.5			
			0.0±0.35	DESIGNER	梁林取	2024.6.5			
			0.00±0.25	DRAWN	肖雨薇	2024.6.5			
			0.000±0.10				Pitch 3.96mm 90° 单排卧贴 3P Wafer 空第2P		
			X'REF±6'						
			X'±3'						
			X'X' ±2'						
			UNIT:mm						
			SIZE: A4						

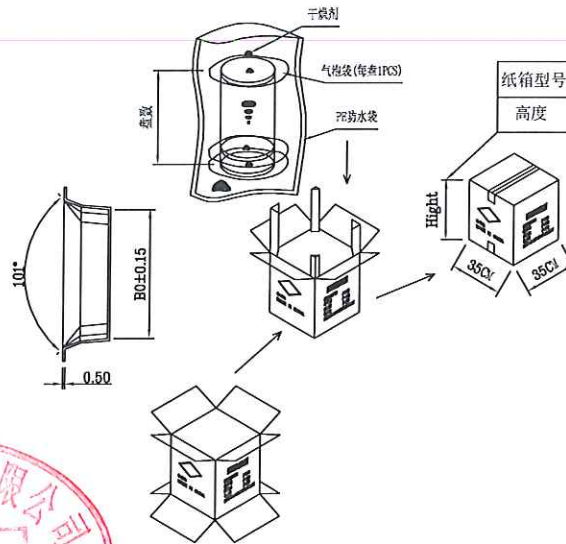
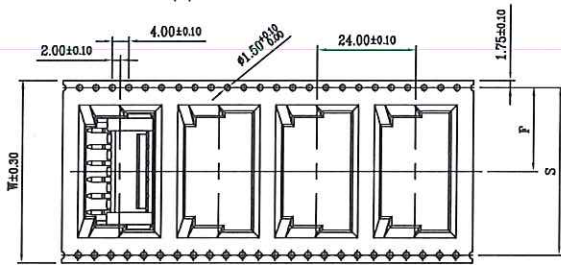
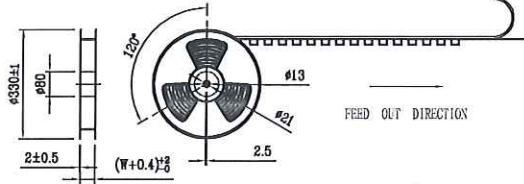
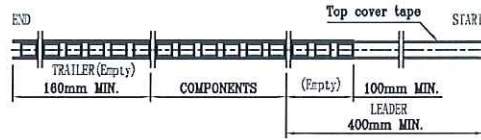
REV: A1 SHEET: 1/2

The product using material and processing must conform to the "WI-PZ-001"HSF technical standard control requirements

RoHS

NOTE(注):

- 1.10 SPROCKET HOLE PITCH CUMULATIVE TOLERANCE $\pm 0.2\text{mm}$. (10片孔距累积公差 $\pm 0.2\text{mm}$.)
2. CARRIER CAMBER NOT TO EXCEED 1mm IN 100mm. (载带拱/弧形MAX: 1/100mm.)
3. ALL DIMENSIONS MEET EIA-481 REQUIREMENTS. (所有的尺寸要满足协会EIA-481规范.)
4. MATERIAL: CLEAR ANTISTATIC PS. (载带材料: 透明防静电 PS.)
5. THICKNESS: $0.50 \pm 0.05\text{mm}$. (载带厚度: $0.50 \pm 0.05\text{mm}$.)
6. PACKING LENGTH PER REEL: 7.68 METERS. (每卷包装长度: 7.68米.)
7. COMPONENT LOAD PER REEL: 300 PCS. (每卷包装数量: 300只.)
8. Carton packing to no more than the line, using the free slots filled with plastic foam and nylon. (纸箱装箱以不超过装箱线为准, 空余位置用塑料泡沫及保尼龙填充.)
9. 纸箱大小、中、标准型3种规格型号: 装箱为整箱(左下包装量)采用标准型纸箱包装, 未达到整箱数量以产品量适当采用小型或中型纸箱包装.



纸箱型号	小型	中型	标准型
高度	7.5	15	32

Circuits	W	PCS/REEL	REEL/CARTON	SUM(PCS)
02	24	300	10	3000
03	32	300	8	2400
04	44	300	6	1800
05		300	6	1800
06		300	6	1800
07	56	300	4	1200
08		300	4	1200
09		300	4	1200
10	72	300	3	900
11		300	3	900
12		300	3	900
13	88	300	3	900
14		300	3	900
15		300	3	900
16		300	3	900



Circuits	B0	W	F	S	
02	12.38	24	11.50	/	
03	16.34	32	14.20	28.40	
04	20.30	44	20.20	40.40	
05	24.26		56	26.20	52.40
06	28.22			72	34.20
07	32.18	88	42.20		84.40
08	36.14		88		42.20
09	40.1	88			42.20
10	44.06			88	42.20
11	48.02	88			42.20
12	51.98		88	42.20	84.40
13	55.94			88	42.20
14	59.90		88		42.20
15	63.86	88		42.20	84.40
16	67.82			88	42.20

REV.	REVISION RECORD	DATE	GENERAL TOLERANCES	SCALE: 1:1	NAME	DATE	PART.NO:	DWG.NO:	WanLian Technology Co., Ltd
AO	NEW RELEASE	21.10.15	LINEAR	1:1			A3962W91-1XX2XXX	ENDE05	
A1	PART NUMBER RENEWAL		ANGLES	APPROVED	2024.6.5	2024.6.5			REV: A1 SHEET: 2/2
			0.00±0.25	DESIGNER	梁林权	2024.6.5	TITLE:		
			0.000±0.10	DRAWN	肖雨鑫	2024.6.5	Pitch 3.96mm 90° 单排卧贴 3P Wafer 空第2P		