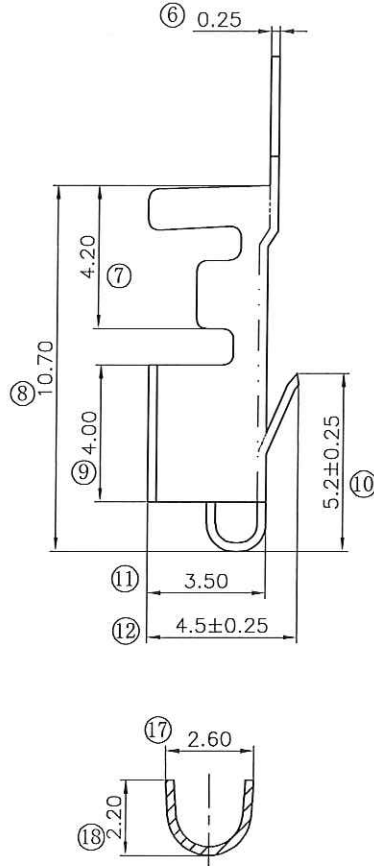
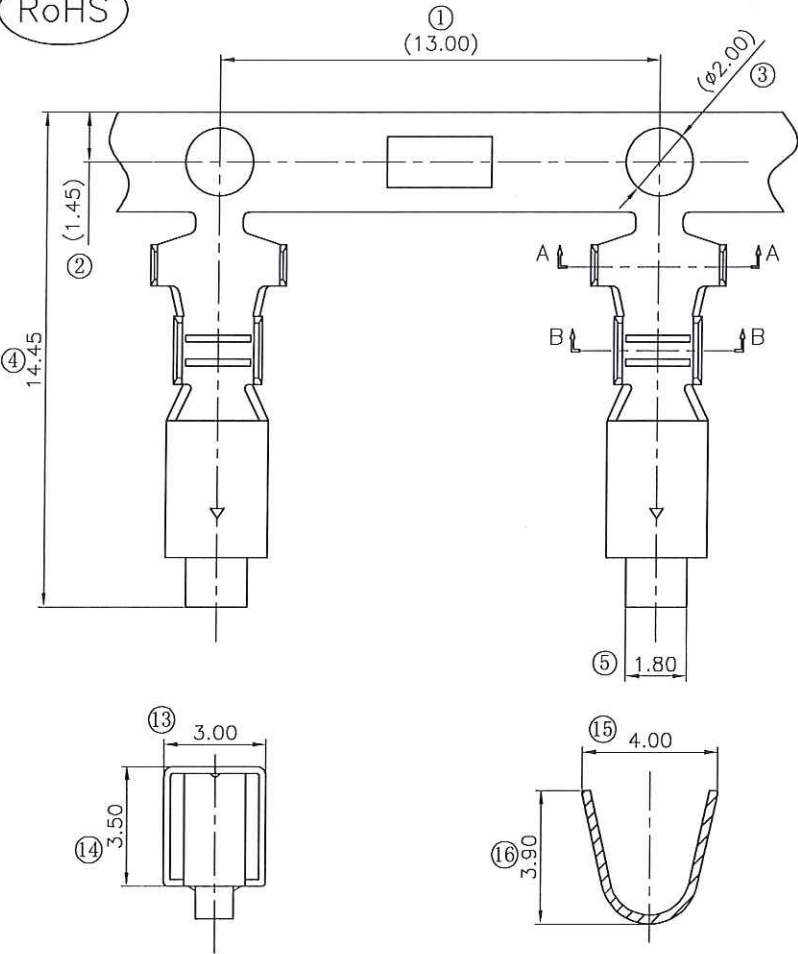


The product using material and processing must conform to the "WI-PZ-001" HSF technical standard control requirements

RoHS



SECTION:A-A

SECTION:B-B



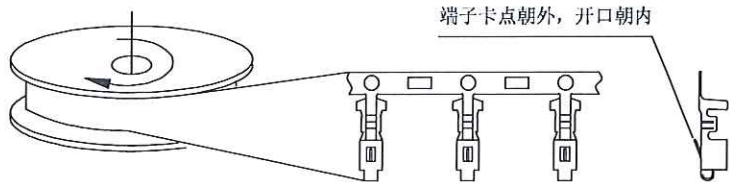
NOTE:
 1.MATERIAL SPECIFICATION:
 1-1.TERMINAL: PHOSPHOR BRONZE
 2.PLATING SPECIFICATION:
 2-1.TERMINAL:
 TIN/GOLD FLASH PLATED OVER ALL.
 3.ELECTRICAL PERFORMANCE:
 3-1.CURRENT RATING: 7A
 3-2.CONTACT RESISTANCE: 20 mΩ MAX
 3-3.INSULATION RESISTANCE: 1000MΩ Min
 3-4.DIELECTRIC WITHSTANDING : 1500V AC
 4.ENVIRONMENTAL PERFORMANCE:
 4-1.OPERATING TEMPERATURE: -25°C~+85°C.
 5.PACKAGE SPEC : REEL
 6.WIRE RANGE:AWG 18#~22#
 7.P/N: A3962 T 4 F X-X

SERIES NO: _____ PLATING:
 C-BRIGHT TIN
 CONNECTOR: _____ METAL:
 T-TERMINAL P-PHOSPHOR BRONZE
 TYPE CODE _____ MALE FEMALE:
 F-FEMALE

REV.	REVISION RECORD	DATE		GENERAL TOLERANCES		SCALE: 1:1	NAME	DATE	PART.NO:	DWG.NO:	 WanLian Technology Co., Ltd
A0	NEW RELEASE	22.03.19		LINEAR	ANGLES	APPROVED	8/8/24	2024.6.4	A3962T4FX-X	ENDE05	
			UNIT:mm	0.00±0.25	X'±3'	CHECK	梁林秋	2024.6.4	TITLE:	REV: A0	SHEET: 1/2
			SIZE: A4	0.000±0.10	X'X' ±2'	DRAWN	肖雨曦	2024.6.4	Pitch 3.96mm 180° VH Female端子 AWG 18#~22#		

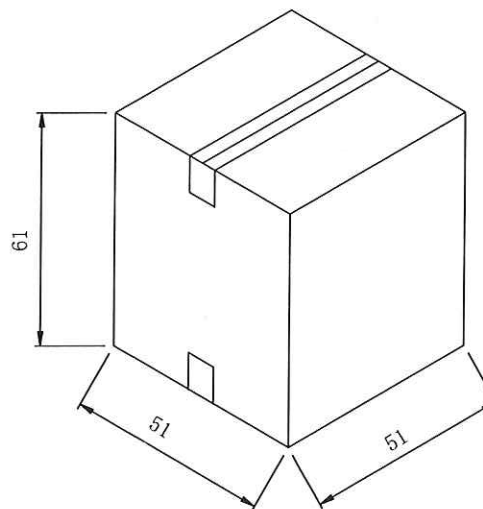
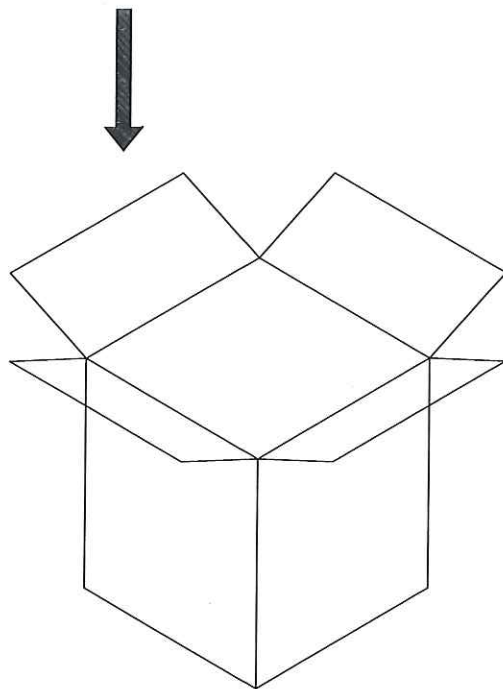
The product using material and processing must conform to the "WI-PZ-001"HSF technical standard control requirements

RoHS



1. 纸箱装箱以不超过装箱线为准, 空余位置用塑料泡沫及保尼龙填充;

PCS/REEL	REEL/CARTON	LARGE SUM(PCS)
3000	22	66000



REV.	REVISION RECORD	DATE	UNIT:mm	GENERAL TOLERANCES		SCALE: 1:1	NAME	DATE	PART.NO:	DWG.NO:	WanLian Technology Co., Ltd
A0	NEW RELEASE			SIZE: A4	LINEAR	ANGLES	APPROVED	梁林积	2024.6.4	A3962T4FX-X	
				0.0±0.35	X'REF±6'	CHECK	梁林积	2024.6.4	TITLE: Pitch 3.96mm 180° VH Female端子 AWG 18#~22#		REV: A0
				0.00±0.25	X'±3'	DRAWN	梁林积	2024.6.4			SHEET: 2/2
				0.000±0.10	X'X' ±2'						