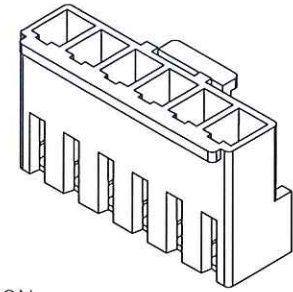
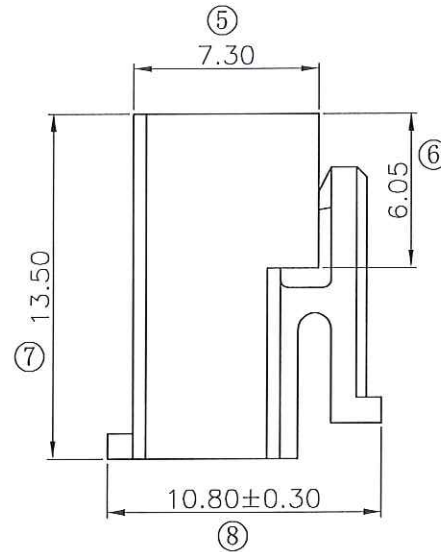
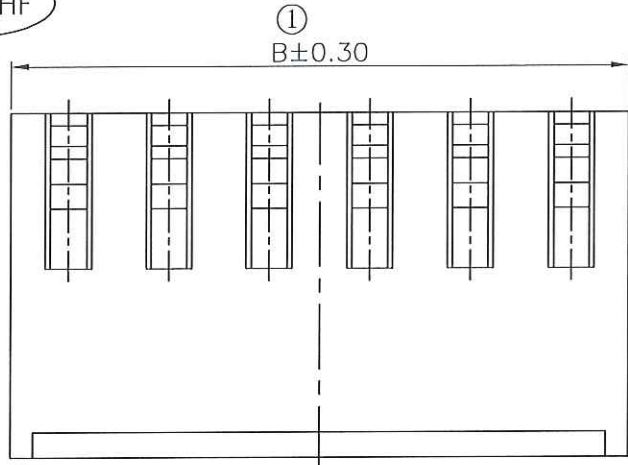


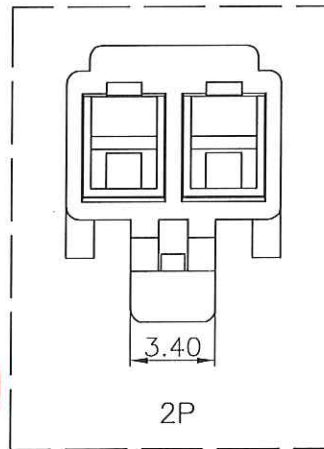
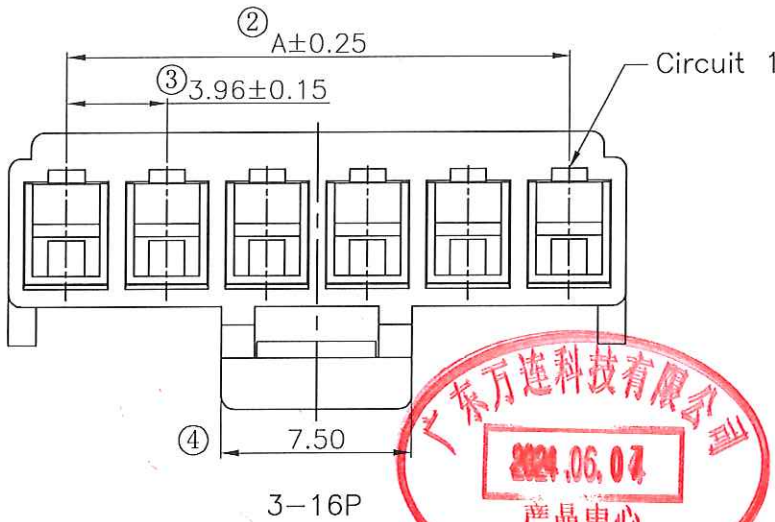
The product using material and processing must conform to the "WI-PZ-001"HSF technical standard control requirements

RoHS+HF



NOTE:
 1.MATERIAL SPECIFICATION:
 1-1.HOUSING: PA66,UL94V-0
 2.ELECTRICAL PERFORMANCE:
 2-1.INSULATION RESISTANCE: 1000MΩ Min
 2-2.DIELECTRIC WITHSTANDING : 1500V AC
 3.ENVIRONMENTAL PERFORMANCE:
 3-1.OPERATING TEMPERATURE: -25°C~+85°C.
 4.PACKAGE SPEC: PE BAG
 5.P/N:

A3962 H 5 M-1 XX X X
 SERIES NO: H 5 M-1 XX X X
 CONNECTOR: H-HOUSING
 TYPE CODE
 MALE FEMALE: M-MALE
 ROW NO: 1-SINGLE ROW
 WATER CODE 0-N/A
 COLOR: S-NATURE
 PIN Q'PY: 02~16



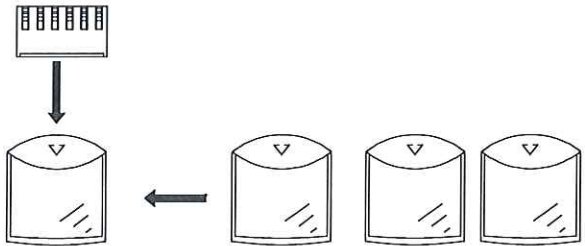
Circuits	Dimensions(mm)		Circuits	Dimensions(mm)	
	A	B		A	B
02	3.96	8.46	10	35.64	40.14
03	7.92	12.42	11	39.60	44.10
04	11.88	16.38	12	43.56	48.06
05	15.84	20.34	13	47.52	52.02
06	19.80	24.30	14	51.48	55.98
07	23.76	28.26	15	55.44	59.94
08	27.72	32.22	16	59.40	63.90
09	31.68	36.18			



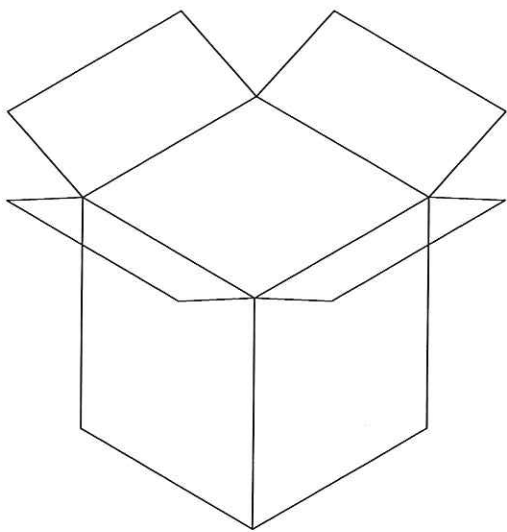
REV.	REVISION RECORD	DATE	GENERAL TOLERANCES		SCALE: 1:1	NAME	DATE	PART.NO:	DWG.NO:
A0	NEW RELEASE		LINEAR	ANGLES	APPROVED	梁林积	2024.6.4	A3962H5M-1XXXX	ENDE05
			0.0±0.35	X'REF±6'	CHECK	梁林积	2024.6.14	TITLE:	 WanLian Technology Co., Ltd REV: A0 SHEET: 1/2
			0.00±0.25	X'±3'	DRAWN	梁林积	2024.6.4	Pitch 3.96mm 180°VH 单排 Housing	
			UNIT:mm						
			SIZE: A4	0.000±0.10					

The product using material and processing must conform to the "WI-PZ-001" HSF technical standard control requirements

RoHS+HF

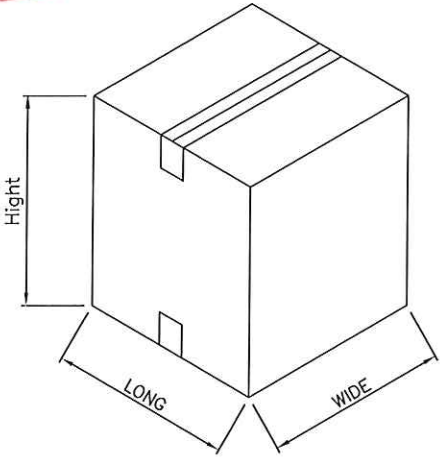


PE袋 1 Pcs
数量 :每袋=0.2~1Kpcs



1. 纸箱装箱以不超过装箱线为准, 空余位置用塑料泡沫及保尼龙填充;
2. 纸箱分小、中、标准型、大4种规格型号: 装箱为整箱采用大型纸箱包装, 未达到整箱数量以产品量适当采用小型、中型或标准型纸箱包装;
3. 因生产Pin位未齐全, 每袋与整箱包装数量仅供参考, 具体包装数量以实际出货为准, 或批量出货更新后为准;

纸箱型号 Carton Type	小型 Small Size	中型 Medium	标准型 Standard	大型 Large
长度 Long (CM)	35	35	35	46
宽度 Wide (CM)	35	35	35	46
高度 Hight (CM)	7.5	15	32	46



标准箱包装数量			
CKT	PCS/BAG	CKT	PCS/BAG
2	1000	10	300
3	500	11	300
4	500	12	300
5	500	13	200
6	500	14	200
7	500	15	200
8	300	16	200
9	300		

REV.	REVISION RECORD	DATE		GENERAL TOLERANCES		SCALE: 1:1	NAME	DATE	PART.NO:	DWG.NO:	 WanLian Technology Co., Ltd
AO	NEW RELEASE			LINEAR	ANGLES	APPROVED	8/8/24	2024.6.4	A3962H5M-1XXXX	ENDE05	
			0.0±0.35	X'REF±6'	CHECK	梁林积	2024.6.4	TITLE:		REV: AO	SHEET: 2/2
			UNIT:mm	0.00±0.25	X'±3'	DRAWN	肖雨曦	2024.6.4	Pitch 3.96mm 180° VH 单排 Housing		
			SIZE: A4	0.000±0.10	X'X' ±2'						