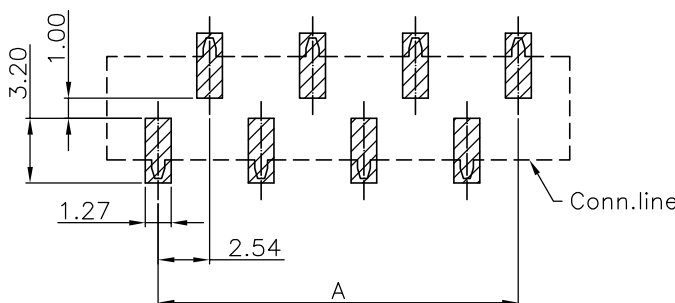
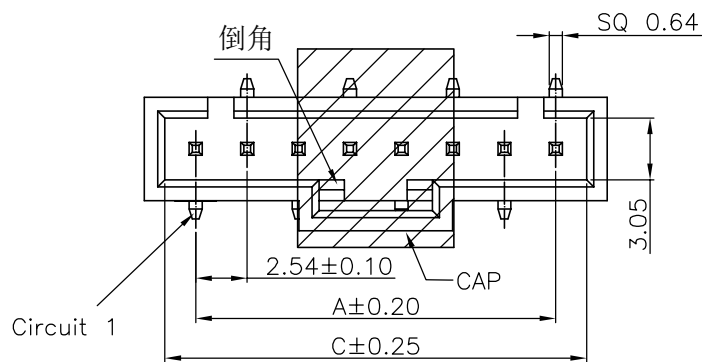
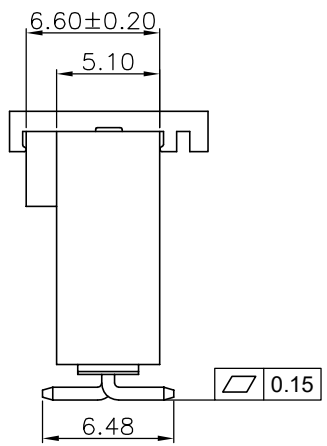
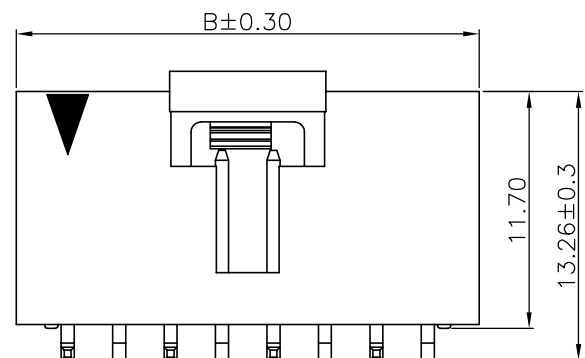


The product using material and processing must conform to the "WI-PZ-001"HSF technical standard control requirements

RoHS



Recommended P.C.B Layout
General Tolerance±0.05



- NOTE:
- MATERIAL SPECIFICATION:
 - HOUSING: PA9T/LCP,UL94V-0
 - CONTACTS: BRASS
 - PLATING SPECIFICATION:
 - CONTACTS: TIN OR GOLD FLASH OVER NICKEL
 - MECHANICAL PERFORMANCE:
 - RETENTIVITY FORCE: 1.5KGF/pin min
 - DURABILITY: 50 CYCLES.
 - ELECTRICAL PERFORMANCE:
 - CURRENT RATING: 3A AC/DC
RATED VOLTAGE : 250V AC/DC
 - CONTACT RESISTANCE: 20 mΩ MAX
 - INSULATION RESISTANCE: 1000MΩ Min
 - DIELECTRIC WITHSTANDING : 1500V
 - ENVIRONMENTAL PERFORMANCE:
 - OPERATING TEMPERATURE: -25°C~+85°C.
 - PACKAGE SPEC: REEL
 - P/N:

A2547 W 0-1 XX 2 X X X
 SERIES NO: _____
 CONNECTOR: _____
 W-WAFER
 ANGLE: _____
 9-90°
 0-180°
 ROW NO: _____
 1-SINGLE ROW
 PIN Q'PY: _____
 02~24
 MATERIALS:
 1-PA9T
 2-LCP
 COLOR:
 A-BLACK
 S-NATURE
 PLATING:
 A-ALL AU G/F
 C-BRIGHE TIN
 D-MATTE Tin
 TERMIPOINT:
 2-SMT

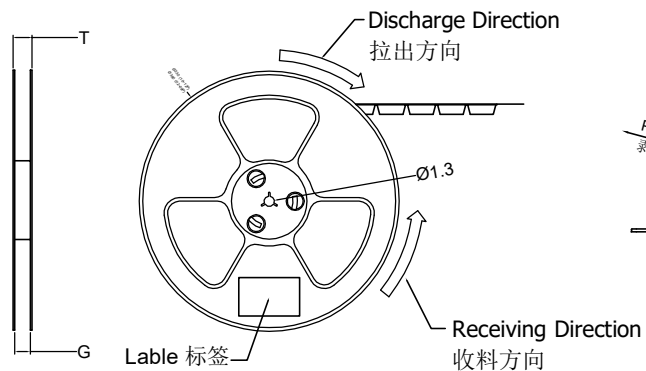
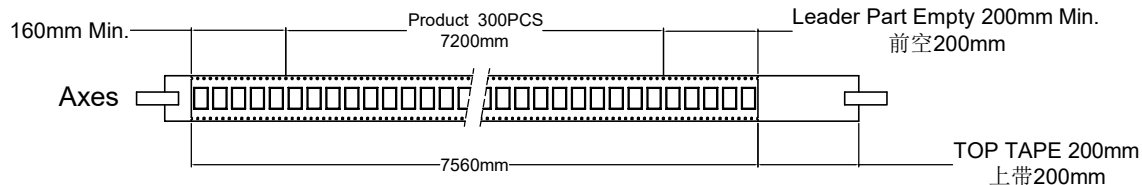
Ordering Information & Dimensions

Circuit	Dimensions (mm)			Circuit	Dimensions (mm)		
	A	B	C		A	B	C
02	2.54	7.62	5.59	09	20.32	25.40	23.37
03	5.08	10.16	8.13	10	22.86	27.94	25.91
04	7.62	12.70	10.67	11	25.40	30.48	28.45
05	10.16	15.24	13.21	12	27.94	33.02	30.99
06	12.70	17.78	15.75	13	30.48	35.56	33.53
07	15.24	20.32	18.29	14	33.02	38.10	36.07
08	17.78	22.86	20.83	15	35.56	40.64	38.61

REV.	REVISION RECORD	DATE		GENERAL TOLERANCES		SCALE:	NAME	DATE	PART.NO:	DWG.NO:	
A0	NEW RELEASE	21.11.17		LINEAR	ANGLES	1:1					
A1	PART NUMBER RENEWAL	23.09.21		0.00±0.25	X'±3'	DESIGNER	Han_Gao	23.09.21	TITLE:	Pitch 2.54mm 180° 立贴带扣 Wafer	
				0.00±0.10	X'X' ±2'						

The product using material and processing must conform to the "WI-PZ-001"HSF technical standard control requirements

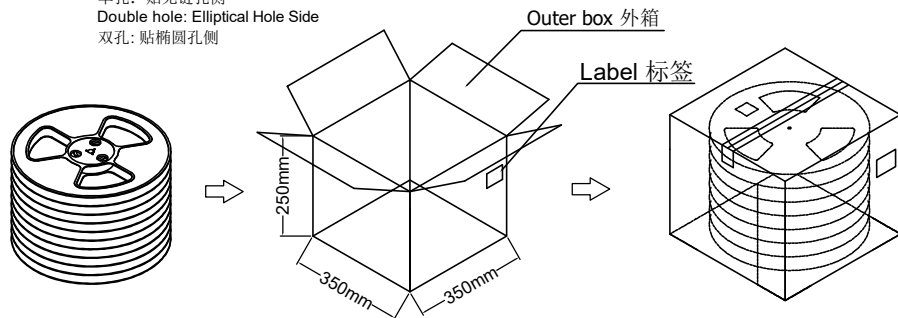
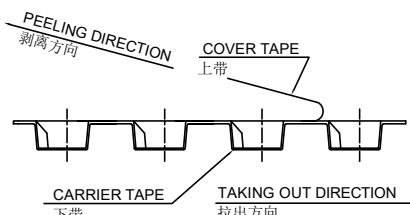
RoHS



Single hole: None Hole Side
单孔: 贴无链孔侧
Double hole: Elliptical Hole Side
双孔: 贴椭圆孔侧

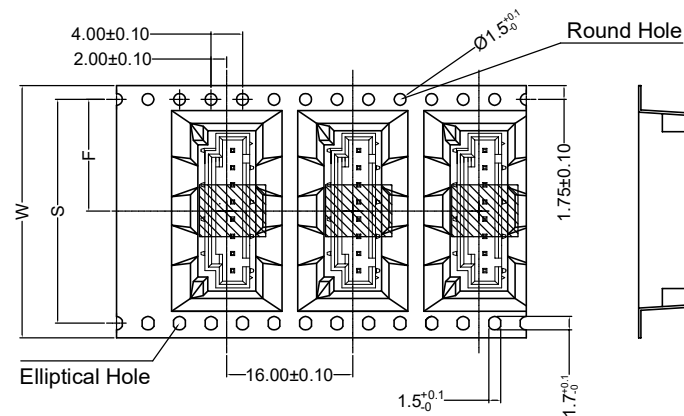
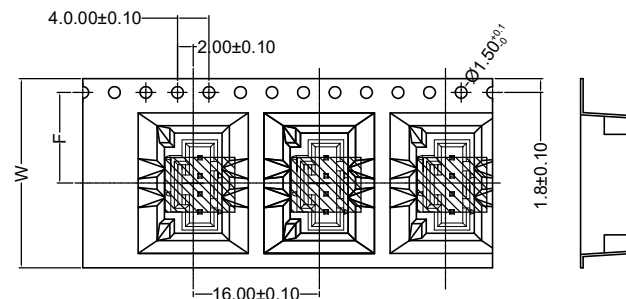
COVER TAPE PEEL STRENGTH:20~120g
上带剥离力量: 20~120g

速度 PEEL SPEED:300mm/minute



Note:

- Carrier Camber Is Within 1mm In 100mm ; 带长100mm内容许弯曲度1mm
- 10 Sprocket Hole Pitch Cumulative Tolerance±0.2MM ; 圆孔十个孔距离累计允许公差为±0.2mm
- Materiaal for PS ; Color :Black ; 材质为PS材质 ; 颜色: 黑色
- Thinkess=0.50±0.05 ; 材料厚度为0.50±0.05mm



Circuit	W	S	F	T	G	REEL /PCS	CARTON /R	CARTON /PCS
02PIN	24	/	11.50	29.5	25.5	300	8	2400
03PIN								
04PIN								
05PIN	32	28.4	15.50	37.5	33.5	300	6	1800
06PIN	44	36.4	19.50	48.5	44.5	300	4	1200
07PIN								
08PIN								
09PIN								
10PIN	56	44.4	23.50	60.5	56.5	300	3	900
11PIN								
12PIN								

REV.	REVISION RECORD	DATE	UNIT:mm	GENERAL TOLERANCES		SCALE:	NAME	DATE	PART.NO: A2547W0-1XX2XXX	DWG.NO: ENDE05	 WanLian Technology Co., Ltd
A0	NEW RELEASE	21.11.17		LINEAR	ANGLES	1:1	APPROVED	Wang_jr			
A1	PART NUMBER RENEWAL	23.09.21	0.00±0.25	X'±3'	DESIGNER	Han_Gao	23.09.21	TITLE:	Pitch 2.54mm 180° 立贴带扣 Wafer	REV: A1	
			SIZE: A4	0.000±0.10	X'X' ±2'	DRAWN	Zijun_Huang	23.09.21			