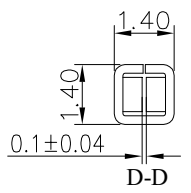
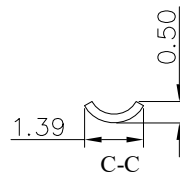
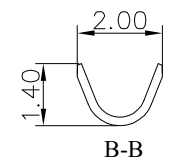
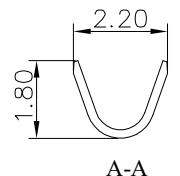
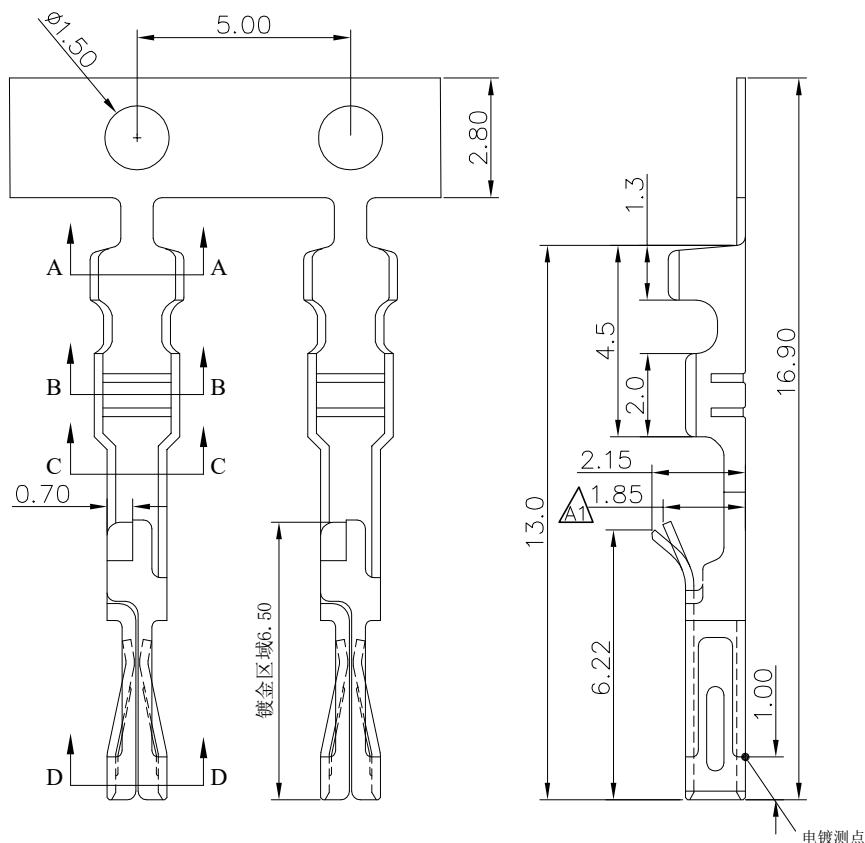


The product using material and processing must conform to the "W-PZ-001" HSF technical standard control requirements

RoHS



NOTE:  
 1.MATERIAL SPECIFICATION:  
 1-1.TERMINAL: PHOSPHOR BRONZE  
 2.PLATING SPECIFICATION:  
 2-1.TERMINAL:  
 TIN/GOLD FLASH PLATED OVER ALL.  
 3.ELECTRICAL PERFORMANCE:  
 3-1.CURRENT RATING: 3A AC/DC  
 RATED VOLTAGE : 250V AC/DC  
 3-2.CONTACT RESISTANCE: 20 mΩ MAX  
 3-3.INSULATION RESISTANCE: 100MΩ Min  
 3-4.DIELECTRIC WITHSTANDING : 1500V  
 4.ENVIRONMENTAL PERFORMANCE:  
 4-1.OPERATING TEMPERATURE: -25°C~+85°C.  
 5.PACKAGE SPEC: REEL  
 6.P/N:

SERIES NO: A2547 T 1 F X-X  
 CONNECTOR: T F X-X  
 1-TYPE CODE  
 MALE FEMALE: F-FEMALE M-MALE  
 PLATING:  
 1-G/F  
 A-ALL AU G/F  
 C-BRIGHT TIN  
 D-MATTE TIN  
 METAL:  
 P-PHOSPHOR BRONZE  
 B-BRASS

Ordering Information & Specifications

Part No	Wire Range	Insulation O.D.	Material	Finish	Qty/reel
A2547T1FP-A	AWG#22-#28	1.63mm(max)	Phosphor Bronze	Gold flash	15,000pcs
A2547T1FP-C	AWG#22-#28	1.63mm(max)	Phosphor Bronze	Tin Plated	15,000pcs
A2547T1FP-1	AWG#22-#28	1.63mm(max)	Phosphor Bronze	Contact Gold Flash Bottom Nickel	15,000pcs
A2547T1FP-D	AWG#22-#28	1.63mm(max)	Phosphor Bronze	Half-gold, Matte Tin	15,000pcs

REV.	REVISION RECORD	DATE	GENERAL TOLERANCES	SCALE:	NAME	DATE	PART.NO:	DWG.NO:
A0	NEW RELEASE	21.11.17	LINEAR	1:1	Wang_jr	23.07.25	A2547T1FX-X	ENDE05
A1	Modify the size according to the real thing	23.07.25	ANGLES	APPROVED	Han_Gao	23.07.25	TITLE:	
			0.00±0.25	DESIGNER	Zijun_Huang	23.07.25	Pitch 2.54mm MX单排母端子紧端 AWG#22-#28	
			0.000±0.10	DRAWN				

WanLian Technology Co., Ltd  
 REV: A0 SHEET: 1/1