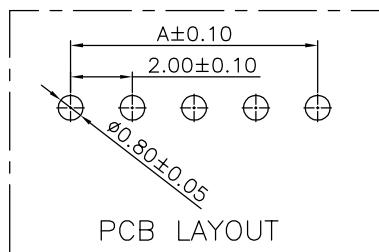
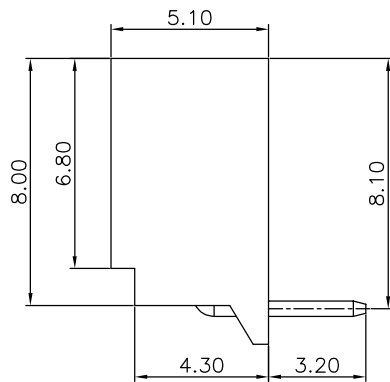
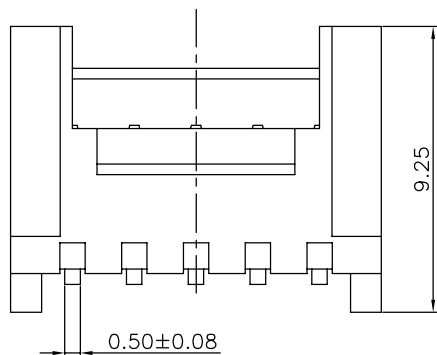
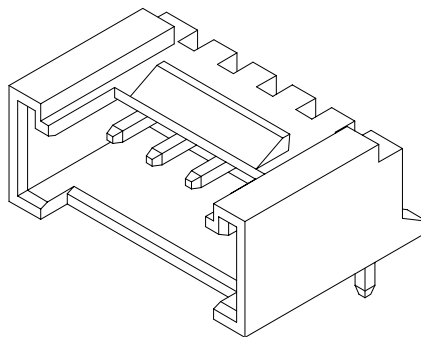
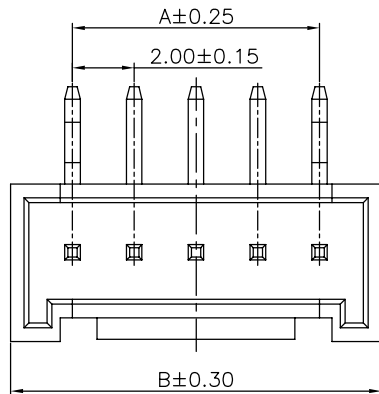


The product using material and processing must conform to the "WI-PZ-001" HSF technical standard control requirements



NOTE:

- 1.MATERIAL SPECIFICATION:
 - 1-1.HOUSING: PA66,UL94V-0
 - 1-2.CONTACTS: BRASS
- 2.PLATING SPECIFICATION:
 - 2-1.CONTACTS: TIN/GOLD FLASH PLATED OVER ALL.
- 3.ELECTRICAL PERFORMANCE:
 - 3-1.CURRENT RATING: 3A AC/DC
 - 3-2.CONTACT RESISTANCE: 30 mΩ MAX
 - 3-3.INSULATION RESISTANCE: 1000MΩ Min
 - 3-4.DIELECTRIC WITHSTANDING : 1000V
- 4.ENVIRONMENTAL PERFORMANCE:
 - 4-1.OPERATING TEMPERATURE: -25°C~+85°C.
- 5.PACKAGE SPEC: PE BAG
- 6.P/N:



A2008 F 9 1-1 XX 1 X X 0

SERIES NO: _____

CONNECTOR: _____

ANGLE: _____

TYPE: _____

ROW NO: _____

COLOR: K-WHITE(RoHS+HF)
M-BEIGE(高温料)(RoHS)

PLATING: A-ALL AU G/F
C-BRIGHT TIN


TERMIPOINT: 1-DIP

PIN Q'PY: 02~16

1-SINGLE ROW

Ordering Information & Dimensions

Circuits	Dimensions(mm)		Circuits	Dimensions(mm)	
	A	B		A	B
02	---	6.00	12	22.00	26.00
03	4.00	8.00	13	24.00	28.00
04	6.00	10.00	14	26.00	30.00
05	8.00	12.00	15	28.00	32.00
06	10.00	14.00	16	30.00	34.00
07	12.00	16.00	17	32.00	36.00
08	14.00	18.00	18	34.00	38.00
09	16.00	20.00	19	36.00	40.00
10	18.00	22.00	20	38.00	42.00
11	20.00	24.00			

REV.	REVISION RECORD	DATE	UNIT:mm	GENERAL TOLERANCES		SCALE: 1:1	NAME	DATE	PART.NO:	DWG.NO:	 WanLian Technology Co., Ltd
A0	NEW RELEASE	22.10.28		LINEAR	ANGLES	APPROVED	Wang_jr	23.09.18	A2008W91-1XX1XX0	ENDE05	
A1	Dimensional change 9.5 to 9.25	23.08.16	0.0±0.35	X°REF±6°	CHECK	XueZe_Ma	23.09.18	TITLE: Pitch 2.0mm 90°HY单排卧插带定墙 Wafer PA66		REV: A2	SHEET: 1/1
A2	PART NUMBER RENEWAL	23.09.18	0.00±0.25	X°±3°	DRAWN	LanXuan_Hou	23.09.18				
			SIZE: A4	0.000±0.10	X°X° ±2°						