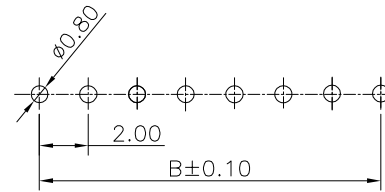
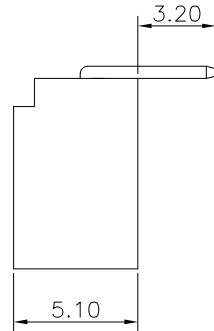
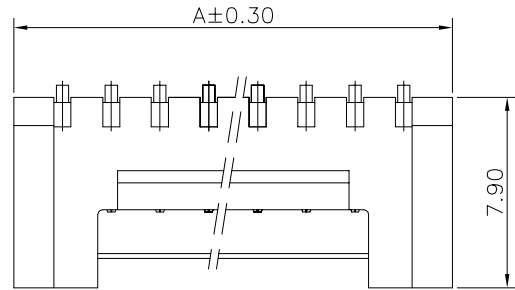
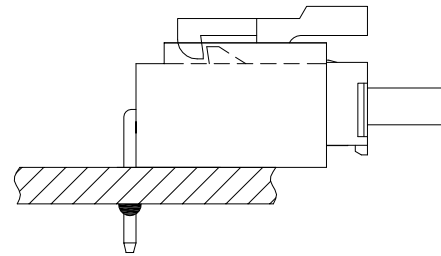


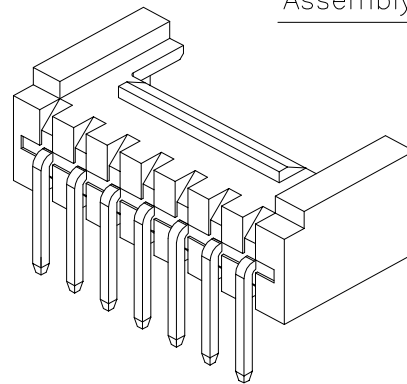
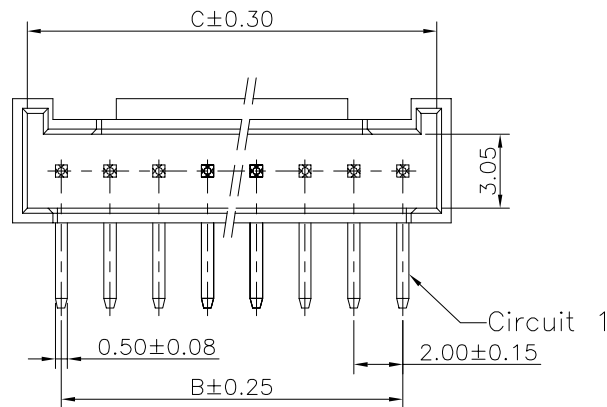
The product using material and processing must conform to the "WI-PZ-001" HSF technical standard control requirements



RECOMMENDED PCB LAYOUT
(GENERAL TOLERANCE: ±0.05)



Assembly LAYOUT



3D VIEW

NOTE:

1.MATERIAL SPECIFICATION:

- 1-1.HOUSING: PA66,UL94V-0
- 1-2.CONTACTS: BRASS

2.PLATING SPECIFICATION:

- 2-1.CONTACTS:
TIN/GOLD FLASH PLATED OVER ALL.

3.ELECTRICAL PERFORMANCE:


- 3-1.CURRENT RATING: 2A AC/DC
- 3-2.CONTACT RESISTANCE: 20 mΩ MAX
- 3-3.INSULATION RESISTANCE: 1000MΩ Min
- 3-4.DIELECTRIC WITHSTANDING : 1000V

4.ENVIRONMENTAL PERFORMANCE:

- 4-1.OPERATING TEMPERATURE: -25°C~+85°C.

5.PACKAGE SPEC:PE BAG

6.P/N:

 A2008 W 9-1 XX 1 X X 0
 SERIES NO: _____
 CONNECTOR: _____
 W-WAFER
 ANGLE: _____
 9-90°
 ROW NO: _____
 1-SINGLE ROW
 PIN Q'PY: _____
 02~16

COLOR:
 A-BLACK ROHS+HF
 M-BEIGE(高温料) ROHS
 S-NATURE ROHS+HF

PLATING:
 A-ALL AU G/F
 C-BRIGHT TIN
 D-MATTE TIN

TERMPPOINT:
 1-DIP

Circuits	Dimensions(mm)			Circuits	Dimensions(mm)		
	A	B	C		A	B	C
02	6.00	---	4.90	12	26.00	22.00	24.90
03	8.00	4.00	6.90	13	28.00	24.00	26.90
04	10.00	6.00	8.90	14	30.00	26.00	28.90
05	12.00	8.00	10.90	15	32.00	28.00	30.90
06	14.00	10.00	12.90	16	34.00	30.00	32.90
07	16.00	12.00	14.90	17	36.00	32.00	34.90
08	18.00	14.00	16.90	18	38.00	34.00	36.90
09	20.00	16.00	18.90	19	40.00	36.00	38.90
10	22.00	18.00	20.90	20	42.00	38.00	40.90
11	24.00	20.00	22.90				

REV.	REVISION RECORD	DATE		GENERAL TOLERANCES		SCALE: 1:1	NAME	DATE	PART.NO:	DWG.NO:	 WanLian Technology Co., Ltd		
A0	NEW RELEASE	21.11.17		LINEAR	ANGLES	APPROVED	Wang_jr	23.09.18	A2008W9-1XX1XX0	ENDE05			
A2	Modify the size according to the real thing	23.06.02	UNIT:mm	0.00±0.25	X'±3°	DESIGNER	Han_Gao	23.09.18	TITLE: Pitch 2.0mm 90°HY单排卧插 Wafer PA66			REV: A4	SHEET: 1/1
A3	Modify the size according to the real thing	23.08.12	SIZE: A4	0.000±0.10	X'X' ±2°	DRAWN	Zijun_Huang	23.09.18					
A4	PART NUMBER RENEWAL	23.09.18											