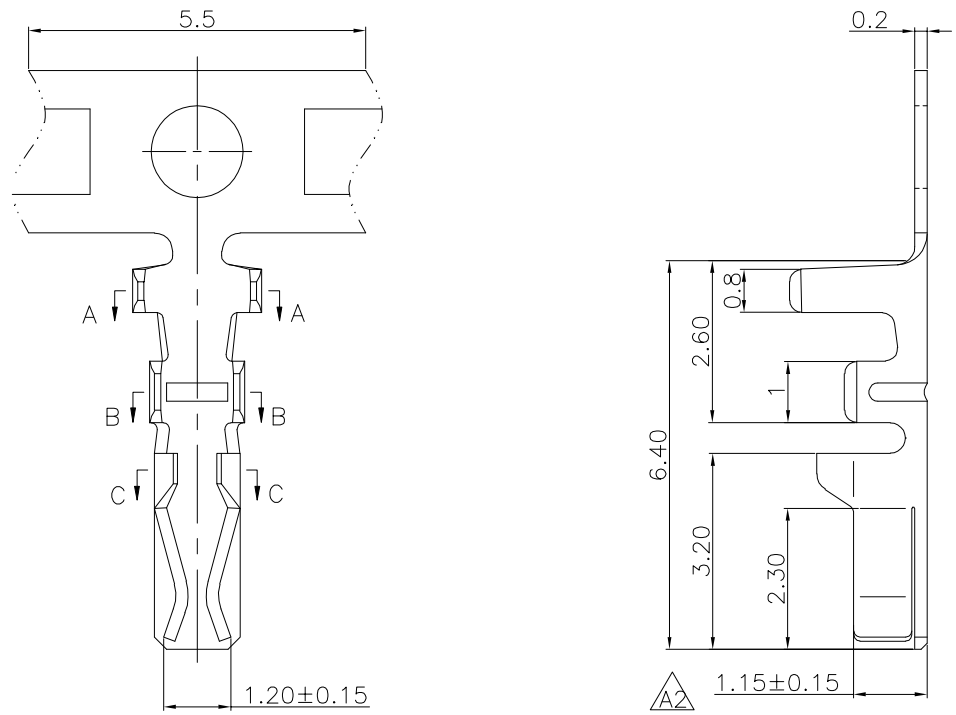


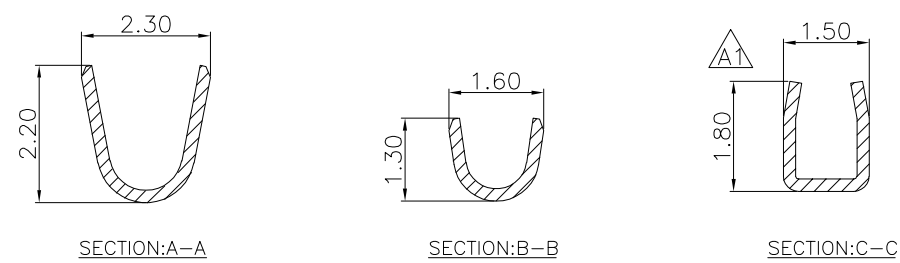
The product using material and processing must conform to the "WI-PZ-001"HSF technical standard control requirements

RoHS



NOTE:  
 1.MATERIAL SPECIFICATION:  
 1-1.TERMINAL: PHOSPHOR BRONZE  
 2.PLATING SPECIFICATION:  
 2-1.TERMINAL:  
 TIN/GOLD FLASH PLATED OVER ALL.  
 3.ELECTRICAL PERFORMANCE:  
 3-1.CURRENT RATING: 2A AC/DC  
 3-2.CONTACT RESISTANCE: 20 mΩ MAX  
 3-3.INSULATION RESISTANCE: 100MΩ Min  
 3-4.DIELECTRIC WITHSTANDING : 1000V  
 4.ENVIRONMENTAL PERFORMANCE:  
 4-1.OPERATING TEMPERATURE: -25°C~+85°C.  
 5.WIRE RANGE: AWG28#-22#  
 6.PACKAGE SPEC:REEL  
 7.P/N:

SERIES NO: A2008 T 1 F X-X  
 CONNECTOR: T  
 TYPE CODE: F X-X  
 MALE FEMALE: F  
 PLATING:  
 A-ALL AU G/F  
 C-BRIGHT TIN  
 D-MATTE TIN  
 METAL:  
 P-PHOSPHOR BRONZE  
 B-BRASS



REV.	REVISION RECORD	DATE		GENERAL TOLERANCES		SCALE: 1:1	NAME	DATE	PART.NO:	DWG.NO:	
A0	NEW RELEASE	21.11.17		LINEAR	ANGLES	APPROVED	Wang_jr	23.04.11	A2008T1FX-X	ENDE05	
A1	Dimensional change	23.04.11	UNIT:mm	0.00±0.35	X'REF±6°	DESIGNER	Han_Gao	23.04.11	TITLE: Pitch2.00mm 180°HY N0 Mark Terminal		
A2	Dimensional change	23.07.06		0.00±0.25	X'±3°	DRAWN	LX_HOU	23.04.11			
			SIZE: A4	0.000±0.10	X'X' ±2°						REV: A2 SHEET: 1/1