

The product using material and processing must conform to the "WI-PZ-001"HSF technical standard control requirements

RoHS

NOTE:

1.MATERIAL SPECIFICATION:

- 1-1.HOUSING:6T/LCP COLOUR:BEGIE
- 1-2.PIN:BRASS
- 1-3.TERMINAL:BRASS

2.PLATING SPECIFICATION:

- 2-1.PIN:
SN PLATING ON CONTACT AREA.
- 2-2.TERMINAL:
SN PLATING ON CONTACT AREA.

3.MECHANICAL PERFORMANCE:

- 3-1.RETENTIVITY FORCE: 1.2KGF/PIN MIN
- 3-3.DURABILITY: 30 CYCLES.

4.ELECTRICAL PERFORMANCE:

- 4-1. RATED CURRENT : 3A
RATED VOLTAGE : 250V AC/DC
- 4-2.INSULATION RESISTANCE: 1000MΩ MIN
CONTACT RESISTANCE : 20MΩ MAX
- 4-3.WITHSTANDING VOLTAGE:800V AC/minute

5.ENVIRONMENTAL PERFORMANCE:

- OPERATING TEMPERATURE: -25°C~+85°C.

6.PACKAGE SPEC:REEL

7.P/N:



A2002 W 9-1 XX 2 X X X

SERIES NO: _____

CONNECTOR: _____
W-WAFER

ANGLE: _____
9-90°

ROW NO: _____
1-SINGLE ROW

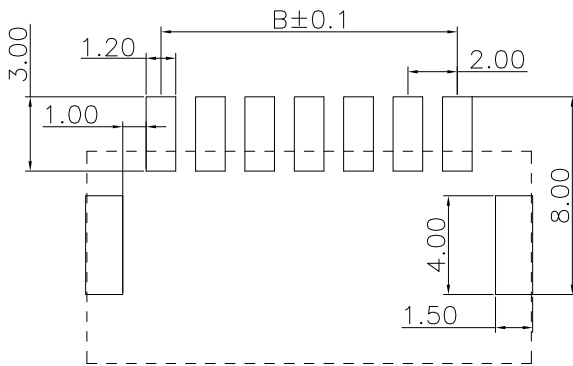
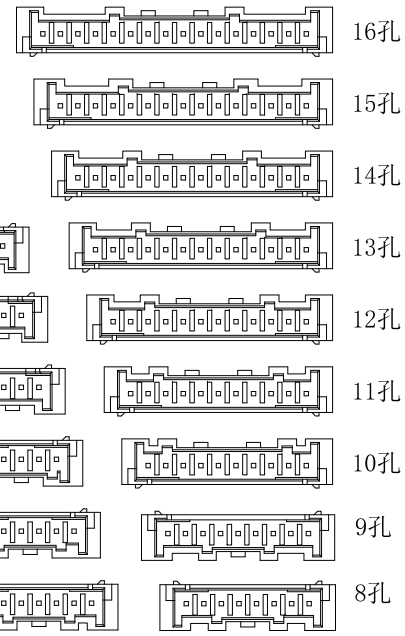
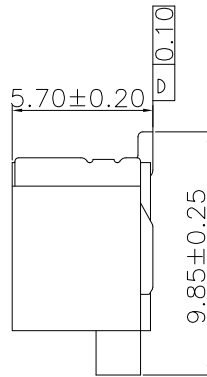
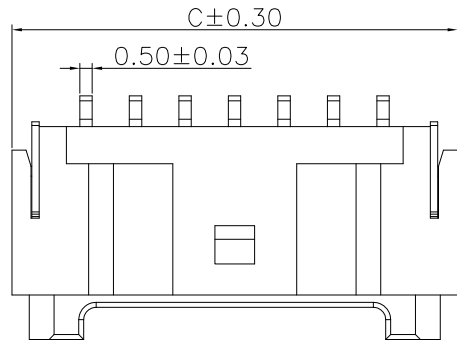
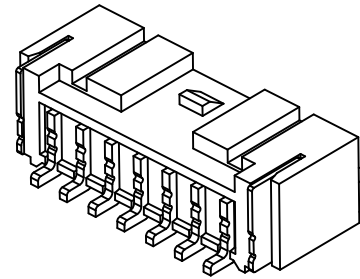
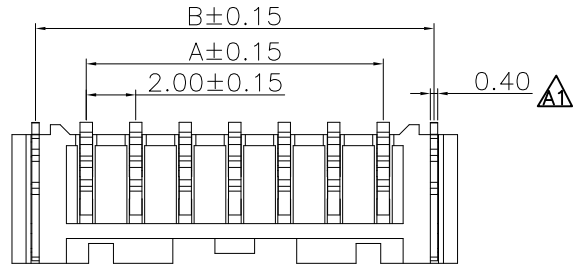
PIN Q'PY: _____
02~16

HOUSING:
1-PA6T RoHS
2-LCP RoHS+HF

COLOR:
A-BLACK
S-BEIGE

PLATING:
A-ALL AU G/F
C-BRIGHT TIN
D-MATTE Tin

TERMIPOINT:
2-SMT



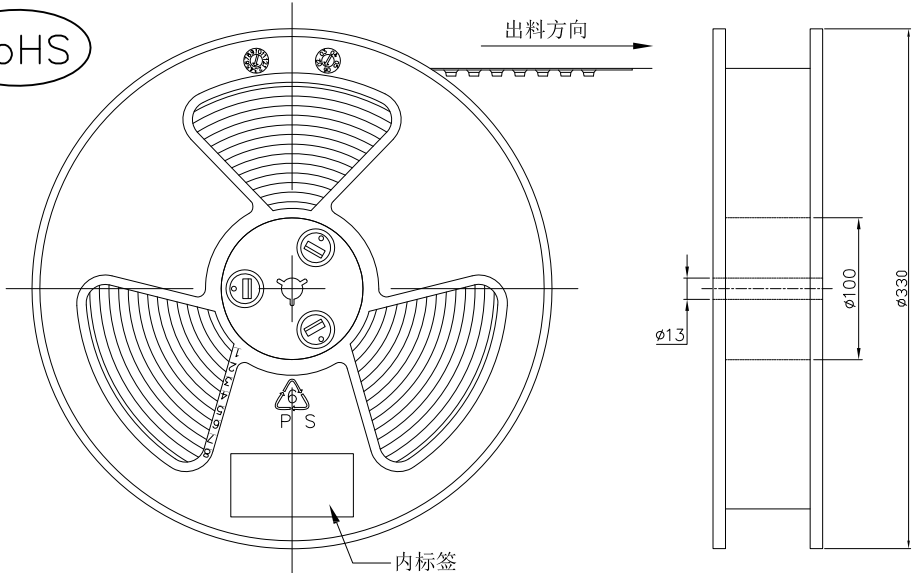
PCB Layout

Circuit	Dimensions(mm)			Circuit	Dimensions(mm)		
	A	B	C		A	B	C
02	---	6.14	8.04	10	18.00	22.14	24.04
03	4.00	8.14	10.04	11	20.00	24.14	26.04
04	6.00	10.14	12.04	12	22.00	26.14	28.04
05	8.00	12.14	14.04	13	24.00	28.14	30.04
06	10.00	14.14	16.04	14	26.00	30.14	32.04
07	12.00	16.14	18.04	15	28.00	32.14	34.04
08	14.00	18.14	20.04	16	30.00	34.14	36.04
09	16.00	20.14	22.04				

REV.	REVISION RECORD	DATE		GENERAL TOLERANCES		SCALE: 1:1	NAME	DATE	PART.NO:	DWG.NO:	 WanLian Technology Co., Ltd
A0	NEW RELEASE	21.01.13		LINEAR	ANGLES	APPROVED	Wang_jr	23.9.14	A2002W9-1XX2XXX	ENDE05	
A1	PART NUMBER RENEWAL	23.9.14		0.0±0.35	X'REF±6°	DESIGNER	Han_Gao	23.9.14	TITLE:		
				0.00±0.25	X°±3°	DRAWN	Zijun_Huang	23.9.14	PITCH 2.0mm 90°PA SINGLE ROW LIE ON WAFER		
			UNIT:mm	X°X' ±2°						REV: A1	SHEET: 1/2

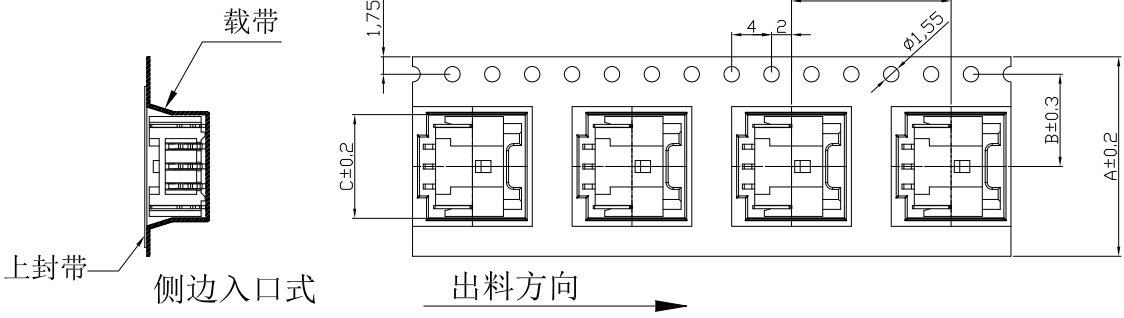
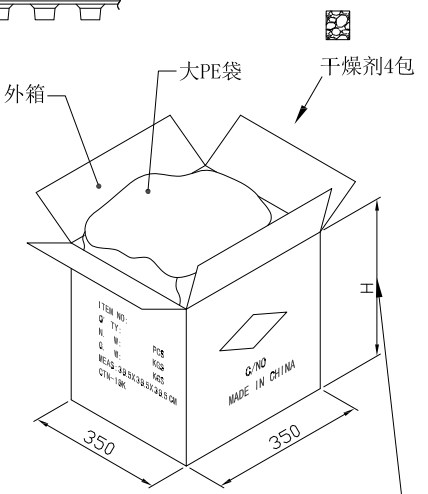
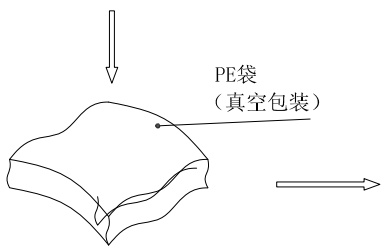
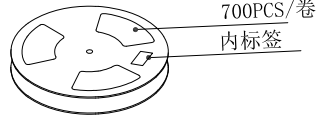
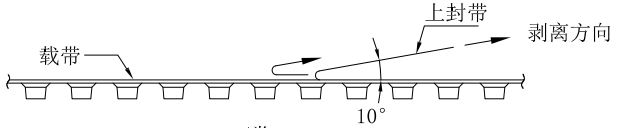
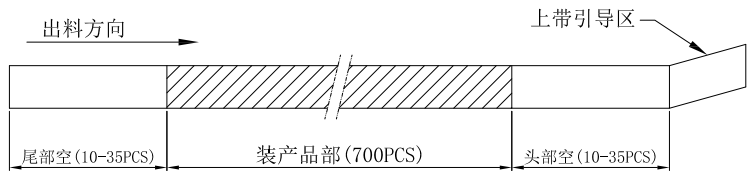
The product using material and processing must conform to the "WI-PZ-001" HSF technical standard control requirements

RoHS



备注:

- 1、10个孔的累积公差为±0.2mm
- 2、载长250mm内允许弯曲度1.0mm
- 3、材质: PS;100%回收再利用
- 4、所以尺寸符合EIA-481-D要求
- 5、上封带剥离强度: 20g~130g(0.2N~1.3N)
- 6、13英寸的卷盘每卷可装载700PCS



Circuit	A	B	C	Circuit	A	B	C	Circuit	PCS/REEL	PCS/CARTON	SUM(PCS)	Circuit	PCS/REEL	PCS/CARTON	SUM(PCS)
02	16	7.5	8.2	10	44	20.2	24.3	02	700	14	9800	10	700	6	4200
03	24	11.5	10.2	11	44	20.2	26.3	03	700	10	7000	11	700	6	4200
04	24	11.5	12.2	12	44	20.2	28.3	04	700	10	7000	12	700	6	4200
05	24	11.5	14.2	13	44	20.2	30.3	05	700	10	7000	13	700	6	4200
06	32	14.2	16.2	14	44	20.2	32.3	06	700	8	5600	14	700	6	4200
07	32	14.2	18.3	15	56	26.2	34.3	07	700	8	5600	15	700	5	3500
08	32	14.2	20.3	16	56	26.2	36.3	08	700	8	5600	16	700	5	3500
09	44	20.2	22.3					09	700	6	4200				

纸箱型号 Carton Type	小型 Small Size	中型 Medium	标准型 Standard
高度 Height (CM)	7.5	15	32

REV.	REVISION RECORD	DATE
A0	NEW RELEASE	21.01.13
A1	PART NUMBER RENEWAL	23.9.14

GENERAL TOLERANCES	SCALE: 1:1	
	LINEAR	ANGLES
0.0±0.35	X°REF±6°	
UNIT:mm	0.00±0.25	X°±3°
SIZE: A4	0.000±0.10	X°X'±2°

APPROVED	NAME	DATE
DESIGNER <td>Wang_jr</td> <td>23.9.14</td>	Wang_jr	23.9.14
DRAWN <td>Han_Gao</td> <td>23.9.14</td>	Han_Gao	23.9.14
	Zijun_Huang	23.9.14

PART.NO:	TITLE:
A2002W9-1XX2XXX	PITCH 2.0mm 90°PA SINGLE ROW LIE ON WAFER PACKAGE DRAWING

DWG.NO:
ENDE05

万连科技
WanLian Technology Co., Ltd

REV: A1 SHEET: 2/2