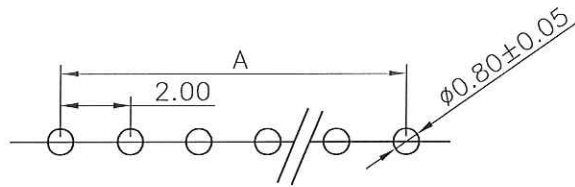
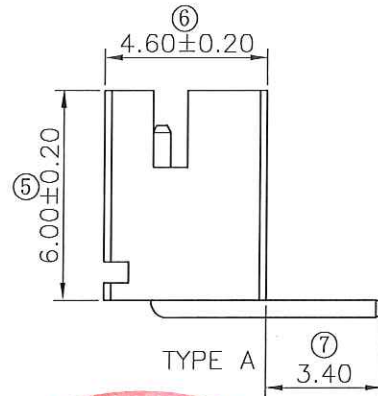
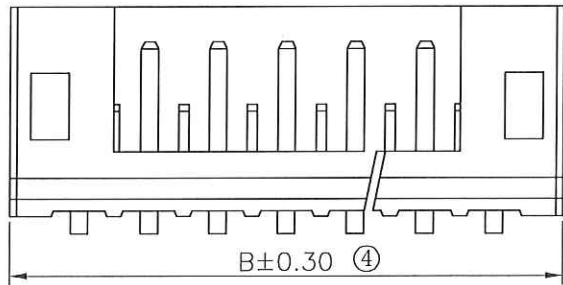
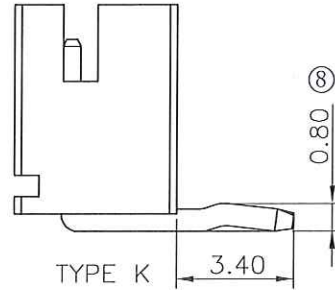
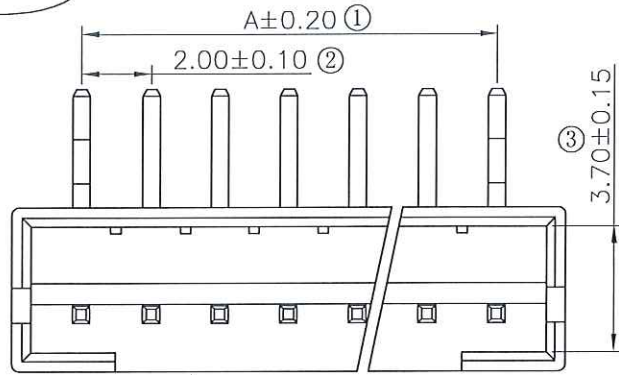


The product using material and processing must conform to the "WI-PZ-001"HSF technical standard control requirements

RoHS+HF



RECOMMENDED PCB Layout
DEFAULT TOLERANCES:±0.10(TOP VIEW)

NOTE:

- 1.MATERIAL SPECIFICATION:
 - 1-1.HOUSING: PA66,UL94V-0
 - 1-2.CONTACTS: BRASS
- 2.PLATING SPECIFICATION:
 - 2-1.CONTACTS: TIN/GOLD FLASH PLATED.
- 3.ELECTRICAL PERFORMANCE:
 - 3-1.CURRENT RATING: 2A
 - 3-2.CONTACT RESISTANCE: 20 mΩ MAX
 - 3-3.INSULATION RESISTANCE: 1000MΩ Min
 - 3-4.DIELECTRIC WITHSTANDING : 800V
- 4.ENVIRONMENTAL PERFORMANCE:
 - 4-1.OPERATING TEMPERATURE: -25°C~+85°C.
- 5.PACKAGE SPEC: TRAY
- 6.P/N:

A2001 W 9-1 XX 1 X X X
 SERIES NO: _____
 CONNECTOR: _____
 W-WAFER
 ANGLE: _____
 9-90°
 ROW NO: _____
 1-SINGLE ROW
 PIN Q'PY: _____
 02~16
 TYPE:
 1-TYPE A
 2-TYPE K
 COLOR:
 A-BLACK
 K-WHITE
 PLATING:
 A-ALL AU G/F
 C-BRIGHT TIN
 D-MATTE TIN
 TERMIPOINT:
 1-DIP

Circuit	Dimensions(mm)		Circuit	Dimensions(mm)	
	A	B		A	B
02	---	6.00	10	18.00	22.00
03	4.00	8.00	11	20.00	24.00
04	6.00	10.00	12	22.00	26.00
05	8.00	12.00	13	24.00	28.00
06	10.00	14.00	14	26.00	30.00
07	12.00	16.00	15	28.00	32.00
08	14.00	18.00	16	30.00	34.00
09	16.00	20.00			



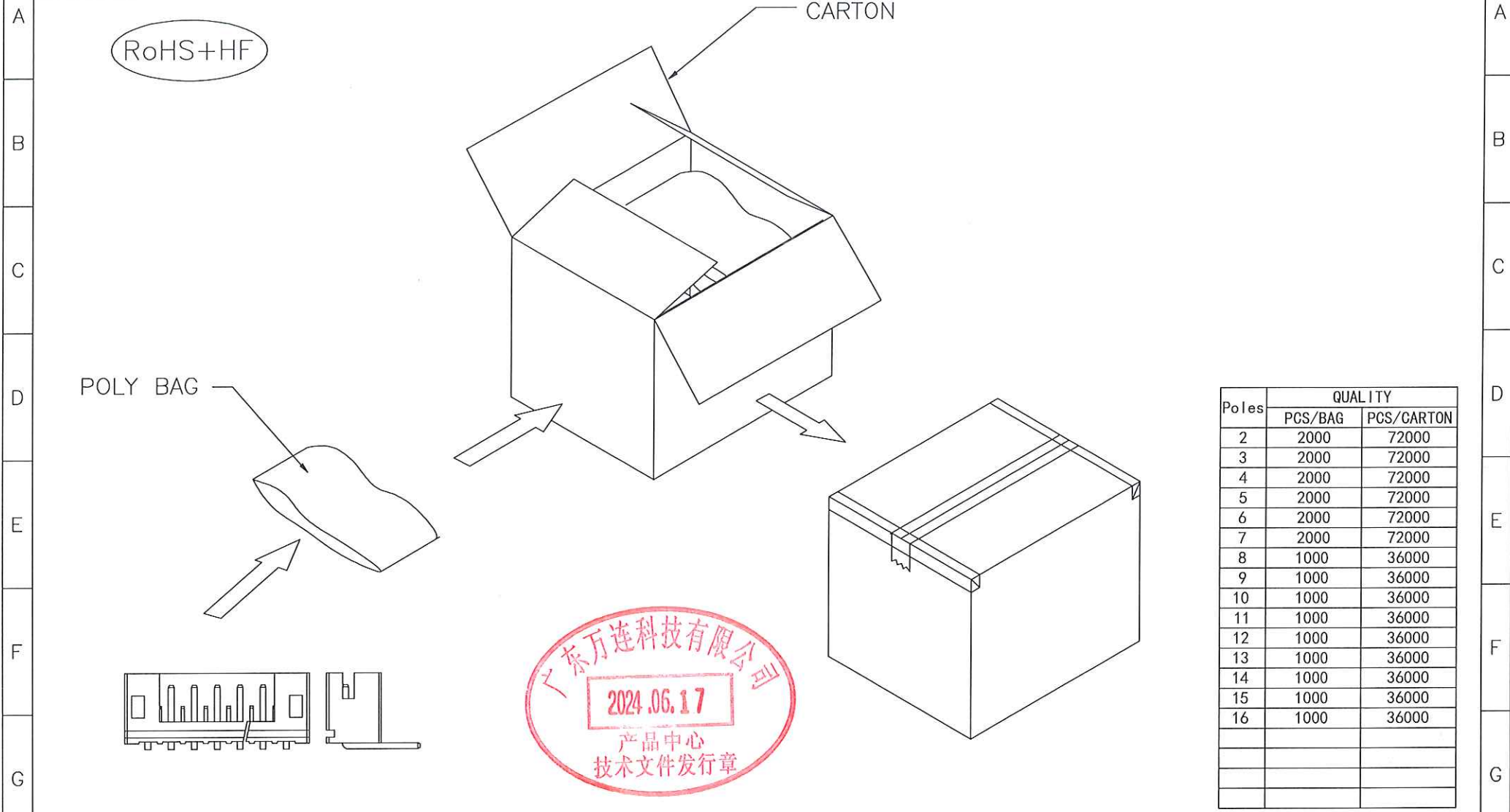
REV.	REVISION RECORD	DATE	GENERAL TOLERANCES		SCALE:	NAME	DATE	PART.NO:	DWG.NO:		
A0	NEW RELEASE	21.01.13	LINEAR	ANGLES	1:1			A2001W9-1XX1XXX	ENDE05		
A1	PART NUMBER RENEWAL		0.0±0.35	X'REF±6°	APPROVED	李学洋	2024.6.17				
			0.00±0.25	X'±3'	DESIGNER	梁林秋	2024.6.17	TITLE:			
			UNIT:mm	0.000±0.10	X'X' ±2'	DRAWN	肖雨曦	2024.6.17	PITCH 2.0mm 90°PH SINGLE ROW LIE DIP WAFER	REV: A1	SHEET: 1/2

The product using material and processing must conform to the "WI-PZ-001" HSF technical standard control requirements

RoHS+HF

CARTON

POLY BAG



广东万连科技有限公司
2024.06.17
产品中心
技术文件发行章

Poles	QUALITY	
	PCS/BAG	PCS/CARTON
2	2000	72000
3	2000	72000
4	2000	72000
5	2000	72000
6	2000	72000
7	2000	72000
8	1000	36000
9	1000	36000
10	1000	36000
11	1000	36000
12	1000	36000
13	1000	36000
14	1000	36000
15	1000	36000
16	1000	36000

REV.	REVISION RECORD	DATE		GENERAL TOLERANCES		SCALE: 1:1	NAME	DATE	PART.NO:	DWG.NO:	 WanLian Technology Co., Ltd
A0	NEW RELEASE	21.01.13			LINEAR	ANGLES	APPROVED	梁林权	2024.6.17	A2001W9-1XX1XXX	
A1	PART NUMBER RENEWAL	23.9.14		0.0±0.35	X'REF±6'	DESIGNER	梁林权	2024.6.17	TITLE: PITCH 2.0mm 90°PH SINGLE ROW LIE DIP WAFER	REV: A1	SHEET: 2/2
			UNIT:mm	0.00±0.25	X'±3'	DRAWN	肖雨曦	2024.6.17			
			SIZE: A4	0.000±0.10	X'X' ±2'						