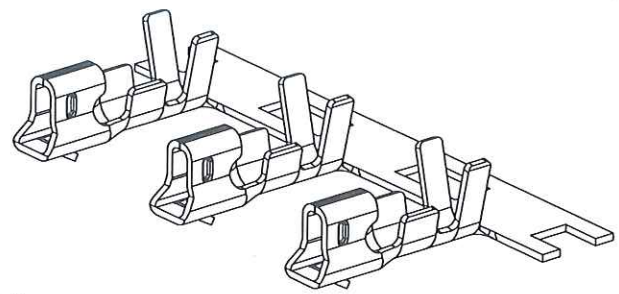
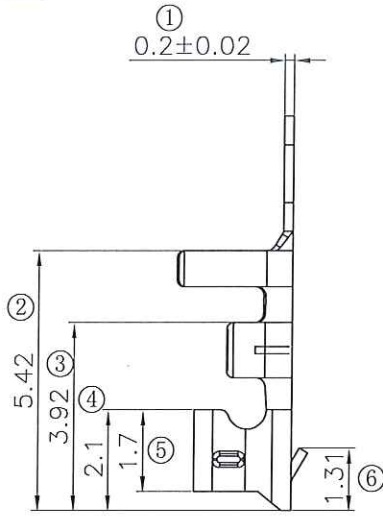
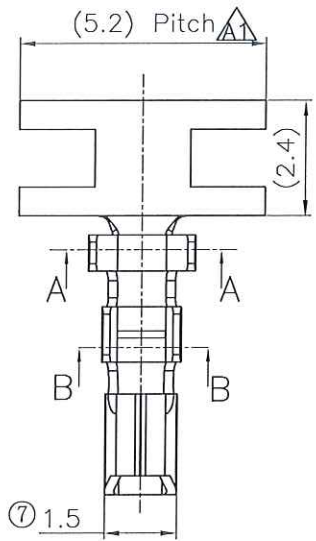


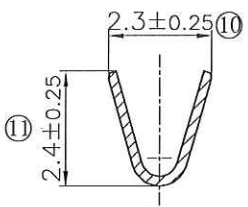
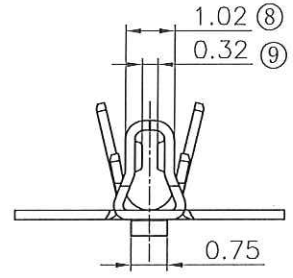
The product using material and processing must conform to the "WI-PZ-001"HSF technical standard control requirements

RoHS

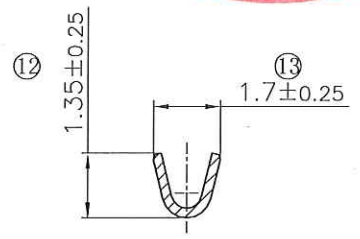


3D VIEW

- NOTE:
- MATERIAL SPECIFICATION:
 - 1-1.TERMINAL: PHOSPHOR BRONZE
 - PLATING SPECIFICATION:
 - 2-1.TERMINAL: TIN/GOLD FLASH PLATED.
 - ELECTRICAL PERFORMANCE:
 - 3-1.CURRENT RATING: 2A
 - 3-2.CONTACT RESISTANCE: 20 mΩ MAX
 - 3-3.INSULATION RESISTANCE: 1000MΩ Min
 - 3-4.DIELECTRIC WITHSTANDING : 800V AC
 - ENVIRONMENTAL PERFORMANCE:
 - 4-1.OPERATING TEMPERATURE: -25°C~+85°C.
 - WIRE RANGE: AWG22#-28#
 - PACKAGE SPEC : REEL
 - P/N:



Section:A-A



Section:B-B

A2001 T F X-X

SERIES NO: _____

CONNECTOR: T-TERMINAL

MALE FEMALE: F-FEMALE, M-MALE

PLATING: 1-G/F, A-ALL AU G/F, C-BRIGHT TIN, D-MATTE TIN

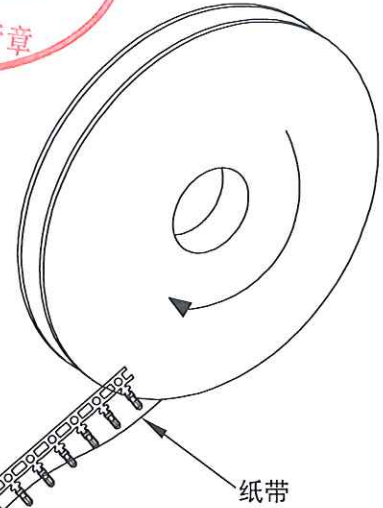
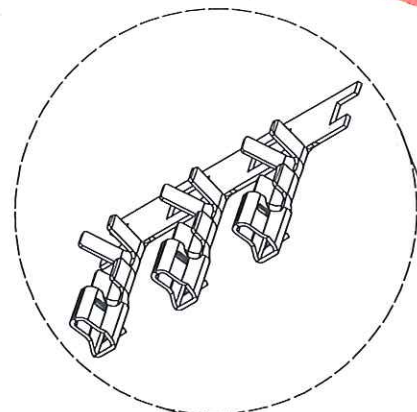
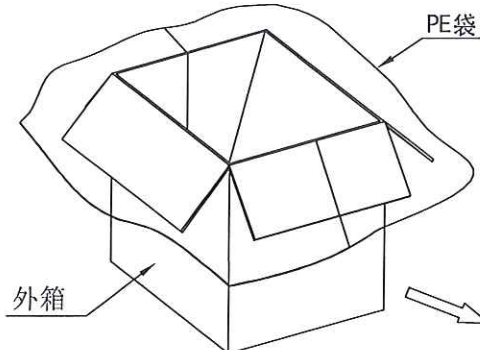
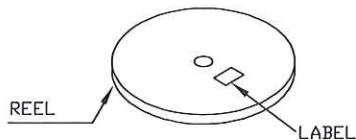
METAL: P-PHOSPHOR BRONZE, B-BRASS, F-FE

REV.	REVISION RECORD	DATE	GENERAL TOLERANCES	SCALE:	NAME	DATE	PART.NO:	DWG.NO:
A0	NEW RELEASE	22.9.23	LINEAR	1:1	马学洋	2024.6.17	A2001TFX-X	ENDE05
A1	MODIFY THE SIZE ACCORDING TO THE ACTUAL OBJECT	23.10.13	ANGLES	APPROVED	梁林秋	2024.6.17	TITLE:	WanLian Technology Co., Ltd
			0.0±0.35	DESIGNER	肖雨曦	2024.6.17	Pitch2.00mm 180°Terminal AWG #22-#28	
			0.00±0.25	DRAWN				
			0.000±0.10					REV: A1
			X°REF±6°					SHEET: 1/2
			X'±3°					
			X'X' ±2°					

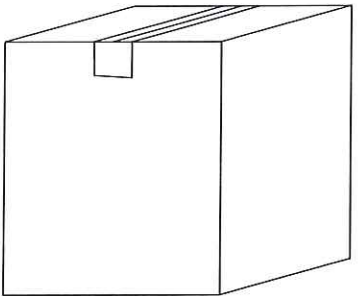


The product using material and processing must conform to the "WI-PZ-001"HSF technical standard control requirements


RoHS



端子 (Terminals) ★ 按箭头所指方向出料 (★ Output in the direction of the arrow)



数量/盘	盘/箱	数量(万)/箱
12000/P	30	36

REV.	REVISION RECORD	DATE	UNIT: mm	GENERAL TOLERANCES		SCALE: 1:1	NAME	DATE	PART.NO:	DWG.NO:	 WanLian Technology Co., Ltd
A0	NEW RELEASE	22.9.23		LINEAR	ANGLES	APPROVED	梁林权	2024.6.17	A2001TFX-X	ENDE05	
A1	MODIFY THE SIZE ACCORDING TO THE ACTUAL OBJECT		0.0±0.35	X'REF±6'	DESIGNER	肖雨曦	2024.6.17	TITLE: Pitch2.00mm 180°Terminal AWG #22-#28		REV: A1	SHEET: 2/2
			0.00±0.25	X'±3'	DRAWN	肖雨曦	2024.6.17				
			0.000±0.10	X'X' ±2'							