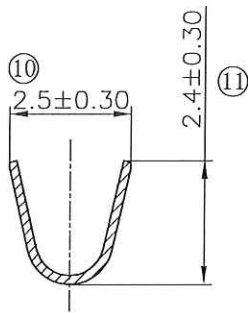
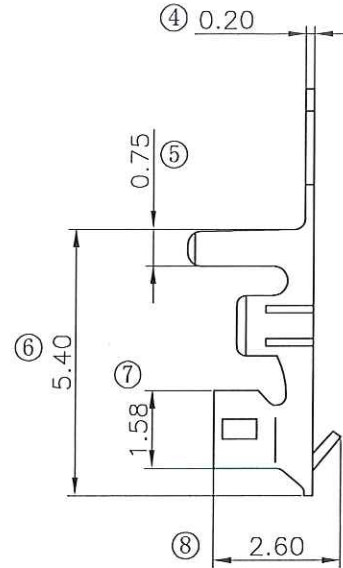
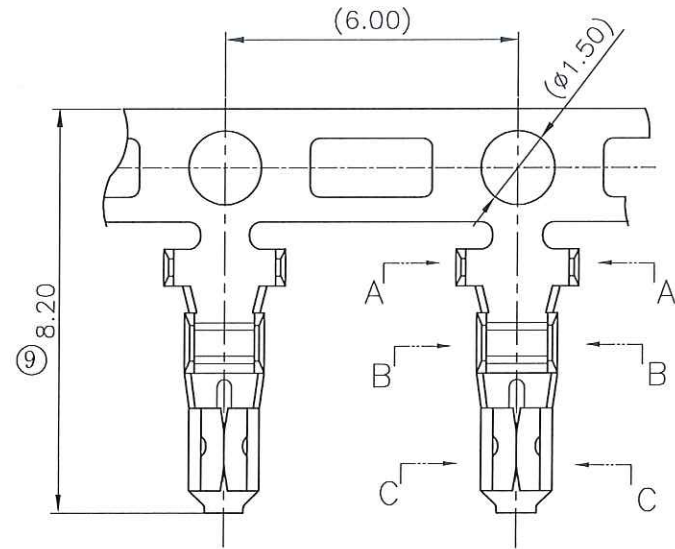
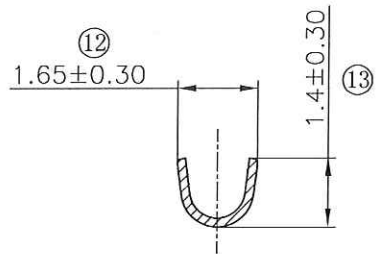


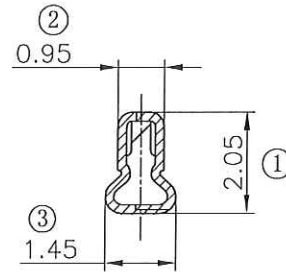
The product using material and processing must conform to the "WI-PZ-001"HSF technical standard control requirements



SECTION:A-A



SECTION:B-B



SECTION:C-C

RoHS

NOTE:

- 1.MATERIAL SPECIFICATION:
1-1.TERMINAL: PHOSPHOR BRONZE
- 2.PLATING SPECIFICATION:
2-1.TERMINAL:
TIN/GOLD FLASH PLATED OVER ALL.
- 3.ELECTRICAL PERFORMANCE:
3-1.CURRENT RATING: 2A
3-2.CONTACT RESISTANCE: 20 mΩ MAX
3-3.INSULATION RESISTANCE: 1000MΩ Min
3-4.DIELECTRIC WITHSTANDING : 800V AC
- 4.ENVIRONMENTAL PERFORMANCE:
4-1.OPERATING TEMPERATURE: -25°C~+85°C.
- 5.WIRE RANGE: AWG22#-28#
- 6.PACKAGE SPEC : REEL
- 7.P/N:

SERIES NO: A2001 T 2 F X-X
CONNECTOR: T-TERMINAL
TYPE CODE 2
MALE FEMALE: F-FEMALE
PLATING: C-BRIGHT TIN
METAL: P-PHOSPHOR BRONZE

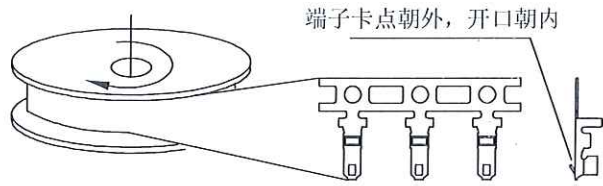


REV.	REVISION RECORD	DATE	UNIT: mm	GENERAL TOLERANCES		SCALE: 1:1	NAME	DATE	PART.NO:	DWG.NO:
A0	NEW RELEASE				LINEAR	ANGLES	APPROVED	梁林秋	2024.6.17	A2001T2FX-X
				0.0±0.35	X°REF±6°	CHECK	梁林秋	2024.6.17	TITLE:	
			SIZE: A4	0.000±0.10	X'X' ±2'	DRAWN	何雨蓉	2024.6.17	Pitch2.00mm FEMALE Terminal AWG #22 -#28	REV: A0
										SHEET: 1/2



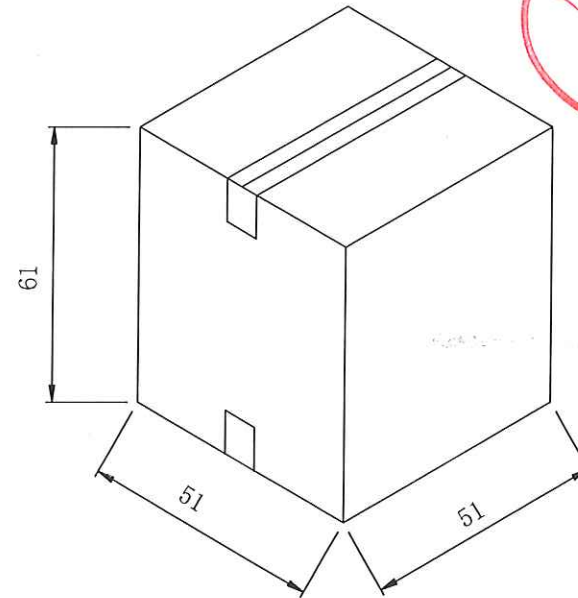
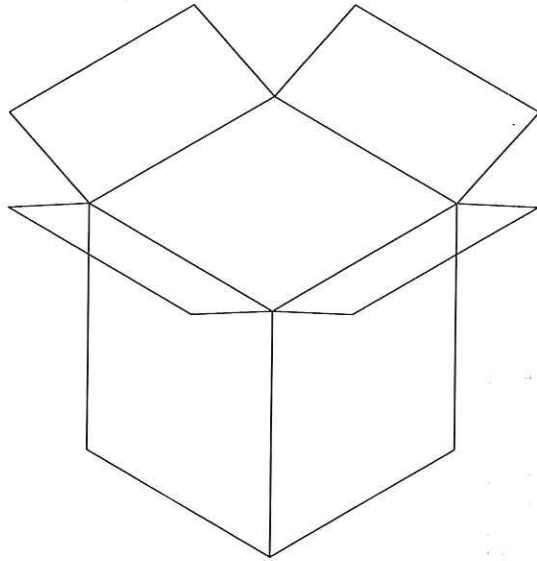
WanLian Technology Co., Ltd

The product using material and processing must conform to the "WI-PZ-001" HSF technical standard control requirements



1. 纸箱装箱以不超过装箱线为准, 空余位置用塑料泡沫及保尼龙填充;

PCS/REEL	REEL/CARTON	SUM(PCS)
12000	30	360000



REV.	REVISION RECORD	DATE		GENERAL TOLERANCES		SCALE: 1:1	NAME	DATE	PART.NO:	DWG.NO:	 WanLian Technology Co., Ltd
A0	NEW RELEASE			LINEAR	ANGLES	APPROVED	梁林程	2024.6.17	A2001T2FX-X	ENDE05	
			0.0±0.35	X'REF±6'	CHECK	肖雨曦	2024.6.17	TITLE:		REV: A0	SHEET: 2/2
			UNIT:mm	0.00±0.25	X'±3'	DRAWN	肖雨曦	2024.6.17	Pitch2.00mm FEMALE Terminal AWG #22 -#28		
			SIZE: A4	0.000±0.10	X'X' ±2'						