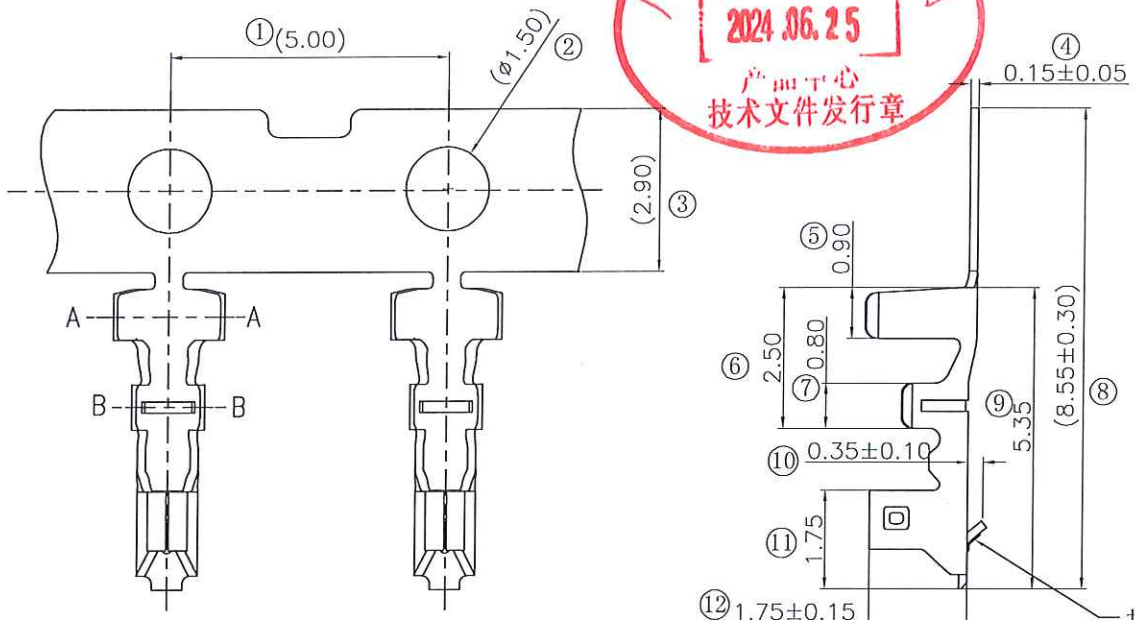


The product using material and processing must conform to the "WI-PZ-001" HSF technical standard control requirements

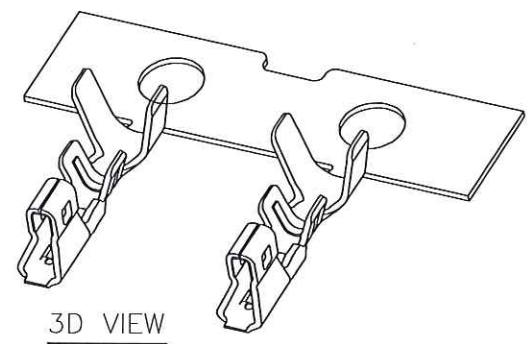
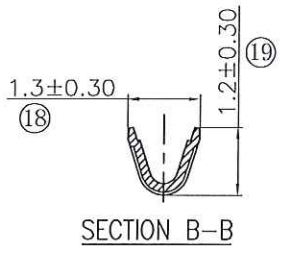
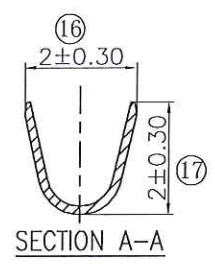
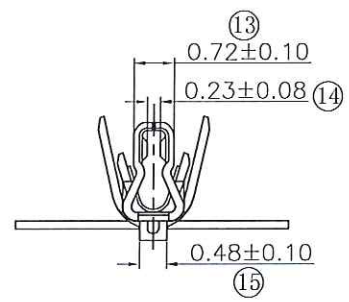


NOTE:
 1.MATERIAL SPECIFICATION:
 1-1.T-TERMINAL: PHOSPHOR BRONZE
 2.PLATING SPECIFICATION:
 2-1.T-TERMINAL:
 TIN/GOLD FLASH PLATED OVER ALL.
 3.ELECTRICAL PERFORMANCE:
 3-1.CURRENT RATING: 3A AC/DC
 3-2.CONTACT RESISTANCE: 20 mΩ MAX
 3-3.INSULATION RESISTANCE: 1000Ω Min
 3-4.DIELECTRIC WITHSTANDING : 500V
 4.ENVIRONMENTAL PERFORMANCE:
 4-1.OPERATING TEMPERATURE: -25°C~+85°C.
 5.PACKAGE SPEC : REEL
 6.P/N:

SERIES NO: A1502 T 1 F X-X
 CONNECTOR: T-TERMINAL
 TYPE CODE
 MALE FEMALE:
 F-FEMALE
 PLATING:
 1-G/F
 A-ALL AU G/F
 C-BRIGHT TIN
 D-MATTE TIN
 METAL:
 P-PHOSPHOR BRONZE
 B-BRASS



加强筋



3D VIEW

Wire Range	Insulation O.D
AWG #21~#26	0.95~1.20mm

REV.	REVISION RECORD	DATE		GENERAL TOLERANCES		SCALE: 1:1	NAME	DATE	PART.NO:	DWG.NO:	
A0	NEW RELEASE			LINEAR	ANGLES	APPROVED	3/2/24	2024.6.18	A1502T1FX-X	ENDE05	
			UNIT:mm	0.00±0.25	X'±3'	DESIGNER	梁林积	2024.6.25	TITLE:		WanLian Technology Co., Ltd REV: A0 SHEET: 1/2
			SIZE: A4	0.000±0.10	X'X' ±2'	DRAWN	肖雨曦	2024.6.25	Pitch 1.50mm 180°端子 AWG#24-#26		

The product using material and processing must conform to the "WI-PZ-001"HSF technical standard control requirements

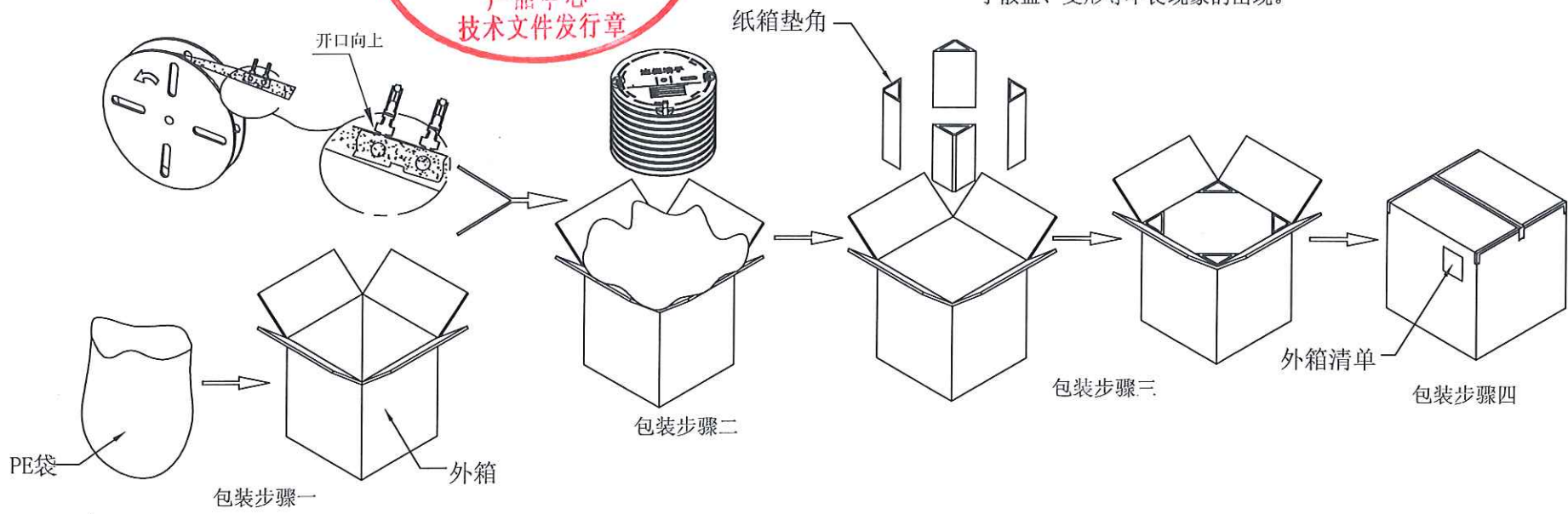


包装说明:

1. 将PE袋放进外箱中。
2. 将一定数量的倒盘后的端子放入外箱里面的PE袋中, 端子装箱时应摆放整齐, 轻拿轻放, 装箱后的端子总体高度应与外箱开口齐平。
3. 在外箱四角分别放入四个纸箱垫角。
4. 用封箱胶带将外箱的开口按“口”字型进行封合, 其下垂长度应不少于5cm。
5. 所有材料有害物控制需符合RoHS标准。

注: 当需要装箱的端子盘数的不足以放满整个外箱时, 根据装箱端子盘数对外箱裁剪, 使装箱后的端子总体高度与外箱开口齐平或放入一些填充物填平外箱里面多余空间, 以防止因外箱里面空间太大而受到外界受力造成端子散盘、变形等不良现象的出现。

15K/盘	500X500X265mm	195K/箱
数量/盘	纸箱规格	数量/箱



REV.	REVISION RECORD	DATE	GENERAL TOLERANCES		SCALE:	NAME	DATE	PART.NO:	DWG.NO:	 WanLian Technology Co., Ltd	
A0	NEW RELEASE		LINEAR	ANGLES	1:1			A1502T1FX-X	ENDE05		
			0.0±0.35	X°REF±6°	APPROVED	8/8/24	2024.6.25				
			0.00±0.25	X°±3'	DESIGNER	梁林积	2024.6.25	TITLE:			
			UNIT:mm	0.00±0.10	X°X'±2'	DRAWN	肖雨曦	2024.6.25	Pitch 1.50mm 180°端子 AWG#24-#26	REV: A0	SHEET: 2/2