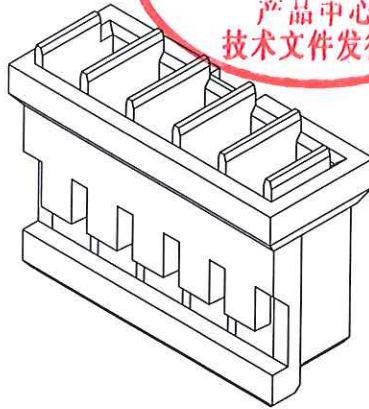


The product using material and processing must conform to the "WI-PZ-142"HSF technical standard control requirements

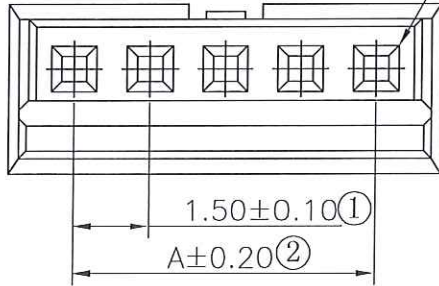
RoHS+HF



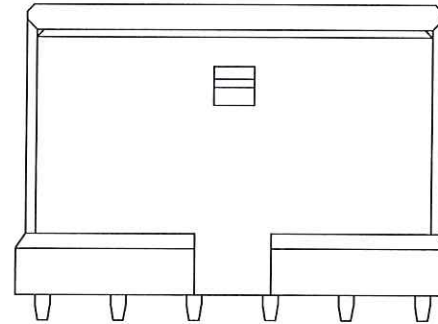
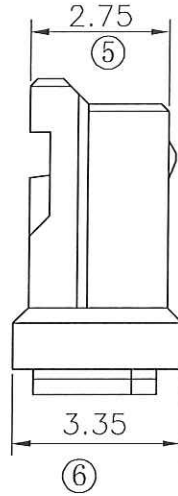
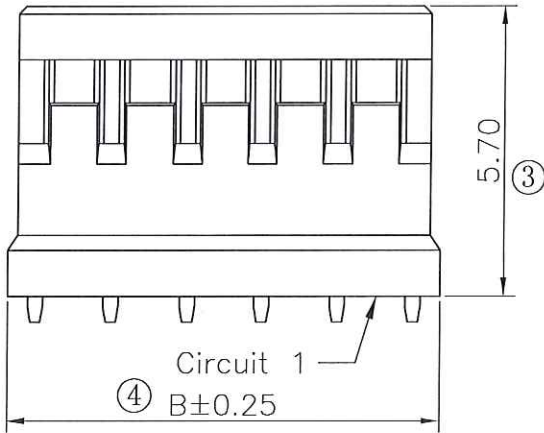
NOTE:
 1.MATERIAL SPECIFICATION:
 1-1.HOUSING:PA66, 94V-0
 2.ELECTRICAL PERFORMANCE:
 2-1.INSULATION RESISTANCE: 1000MΩ MIN
 2-2.WITHSTANDING VOLTAGE: 500V AC/minute
 3.ENVIRONMENTAL PERFORMANCE:
 OPERATING TEMPERATURE: -25°C~+85°C.
 4.PACKAGE SPEC: PE BAG



Circuit1



SERIES NO: A1502 H M-1 XX X 0
 COLOR:
 A-BLACK
 S-NATURE
 CONNECTOR:
 H-HOUSING
 MALE FEMALE:
 M-MALE
 PIN Q'PY:
 02~15
 ROW NO:
 1-SINGLE ROW



Circuit	Dimensions(mm)	
	A	B
02	1.50	4.10
03	3.00	5.60
04	4.50	7.10
05	6.00	8.60
06	7.50	10.10
07	9.00	11.60
08	10.50	13.10
09	12.00	14.60
10	13.50	16.10
11	15.00	17.60
12	16.50	19.10
13	18.00	20.60
14	19.50	22.10
15	21.00	23.60

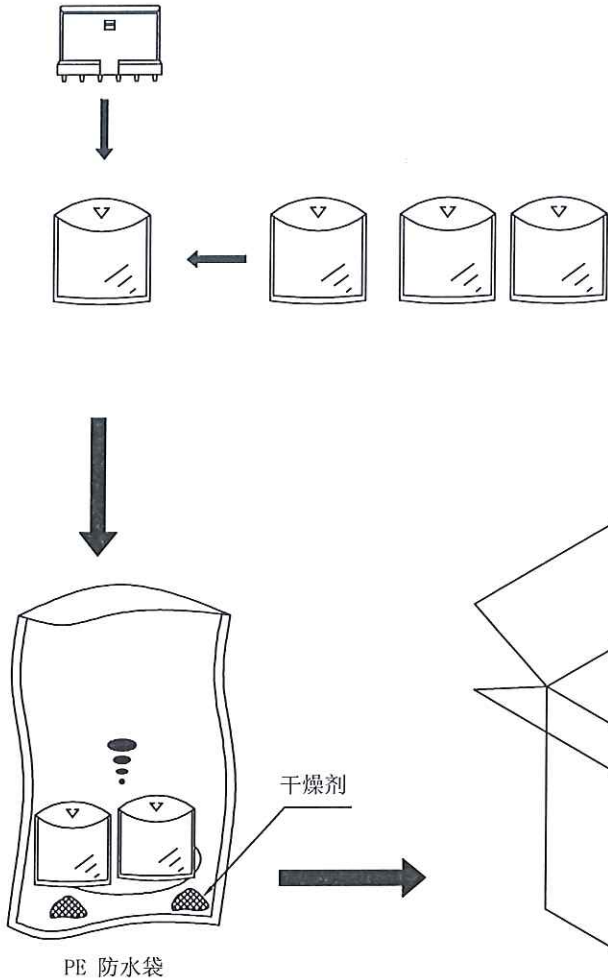
REV.	REVISION RECORD	DATE	GENERAL TOLERANCES	SCALE:	NAME	DATE	PART.NO:	DWG.NO:
A0	NEW RELEASE		LINEAR	1:1			A1502HM-1XXX0	ENDE05
			0.0±0.35	APPROVED	梁材积	2024.6.25		
			X'REF±6'	DESIGNER	梁材积	2024.6.25	TITLE:	
			0.00±0.25				1.50mm PITCH HOUSING	
			X'±3'	DRAWN	梁雨曦	2024.6.25		
			0.000±0.10					
			X'X' ±2'					

WanLian Technology Co., Ltd

 REV: A0 SHEET: 1/2

The product using material and processing must conform to the "WI-PZ-142"HSF technical standard control requirements

RoHS+HF



1. 纸箱装箱以不超过装箱线为准, 空余位置用塑料泡沫及保尼龙填充;
2. 因生产Pin位未齐全, 每袋与整箱包装数量仅供参考, 具体包装数量以实际出货为准, 或批量出货更新后为准:



PIN 位	包装数量 (KPCS)
(02~06P)	2000PCS/BAG
(07~15P)	1000PCS/BAG

REV.	REVISION RECORD	DATE		GENERAL TOLERANCES		SCALE: 1:1	NAME	DATE	PART.NO:	DWG.NO:	 WanLian Technology Co., Ltd
A0	NEW RELEASE			LINEAR 0.0±0.35 ANGLES X°REF±6°	APPROVED	8/8/24	2024.6.25	A1502HM-1XXX0	ENDE05		
			UNIT:mm	0.00±0.25	X°±3°	DESIGNER	梁林积	2024.6.25	TITLE:	REV: A0 SHEET: 2/2	
			SIZE: A4	0.000±0.10	X°X' ±2'	DRAWN	肖雨琦	2024.6.25	1.50mm PITCH HOUSING		