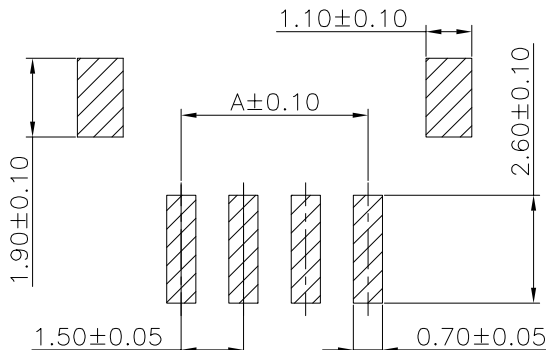
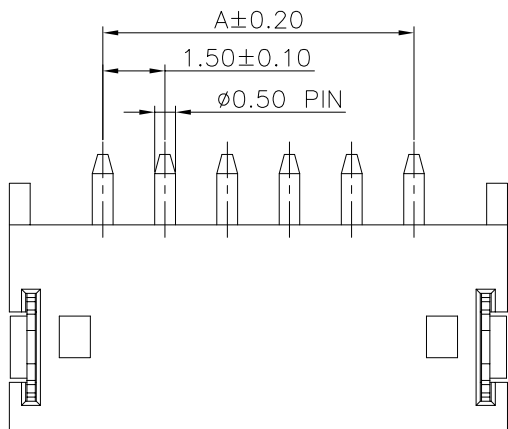
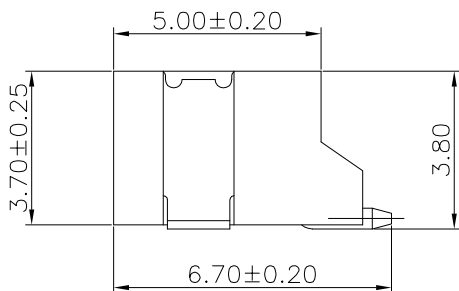
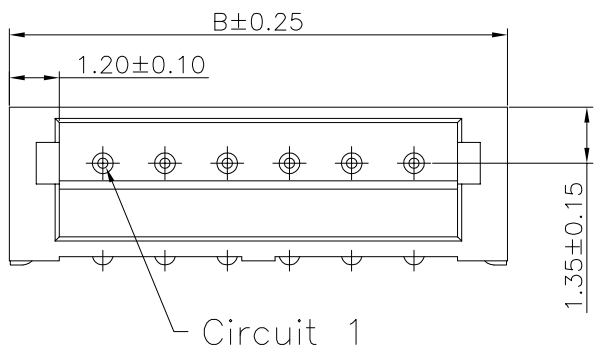


The product using material and processing must conform to the "WI-PZ-001" HSF technical standard control requirements

RoHS+HF

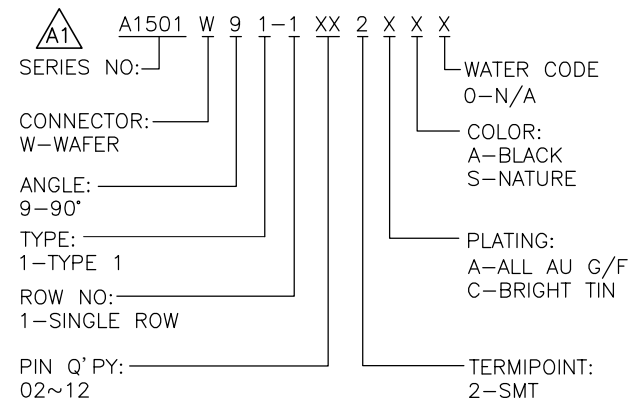


P.C.B LAYOUT



NOTE:

- MATERIAL SPECIFICATION:
 - HOUSING: LCP,UL94V-0
 - CONTACTS: BRASS
 - SOLDER TABS: BRASS
- PLATING SPECIFICATION:
 - CONTACTS: TIN/GOLD FLASH PLATED OVER ALL.
 - SOLDER TABS: TIN/GOLD FLASH PLATED OVER ALL.
- ELECTRICAL PERFORMANCE:
 - CURRENT RATING: 1A
RATED VOLTAGE : 50V
 - CONTACT RESISTANCE: 20 mΩ MAX
 - INSULATION RESISTANCE: 500MΩ Min
 - DIELECTRIC WITHSTANDING : 500V AC
- ENVIRONMENTAL PERFORMANCE:
 - OPERATING TEMPERATURE: -25°C~+85°C.
- MATES WITH A1501 SERIES HOUSING
- PACKAGE SPEC: REEL
- P/N:



Ordering Information & Dimensions

Circuit	Dimensions(mm)		Circuit	Dimensions(mm)	
	A	B		A	B
02	1.50	6.00	08	10.50	15.00
03	3.00	7.50	09	12.00	16.50
04	4.50	9.00	10	13.50	18.00
05	6.00	10.50	11	15.00	19.50
06	7.50	12.00	12	16.50	21.00
07	9.00	13.50	13	18.00	22.50

REV.	REVISION RECORD	DATE	UNIT:mm	GENERAL TOLERANCES		SCALE:	NAME	DATE	PART.NO:	DWG.NO:	
A0	NEW RELEASE	22.10.28		LINEAR	ANGLES	1:1					
A1	PART NUMBER RENEWAL	23.09.19	0.00±0.25	X'±3'	CHECK	XueZe_Ma	23.09.19	A1501W91-1XX2XXX	ENDE05	Pitch1.50mm 90°ZH单排卧贴 Wafer LCP	
			0.00±0.10	X'X' ±2'	DRAWN	LanXuan_Hou	23.09.19				
			SIZE: A4							REV: A1	SHEET: 1/2

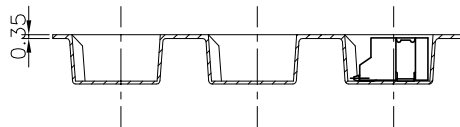
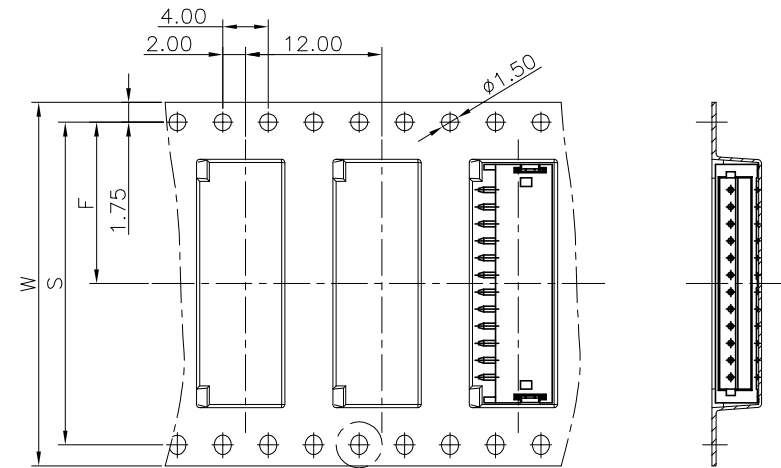
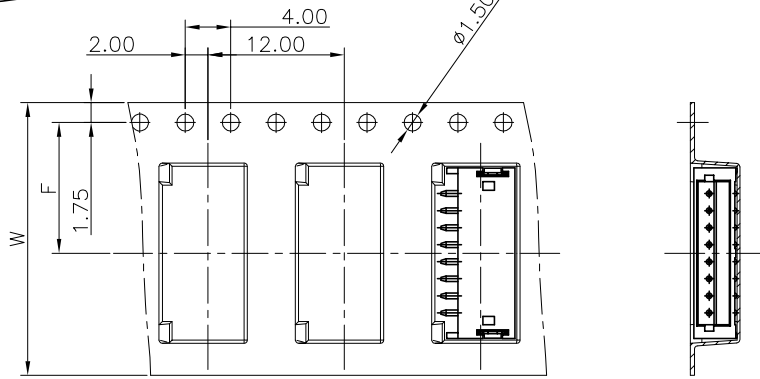
WanLian Technology Co., Ltd

The product using material and processing must conform to the "WI-PZ-001" HSF technical standard control requirements

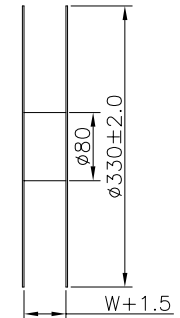
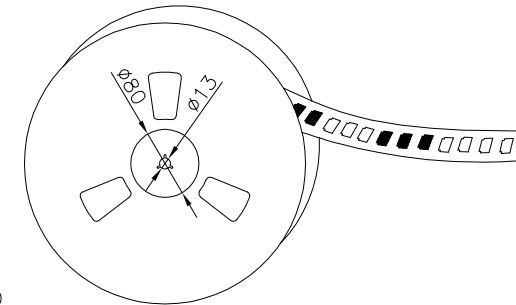
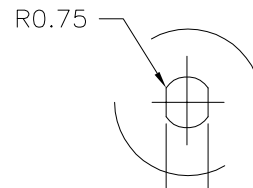
RoHS+HF

02~08 Contacts

09~13 Contacts



Carrier tape



Number of Contacts	W±0.3	F±0.1	S±0.1	Q'ty/Reel
02P	16	7.50	28.40	1,000
03P	16	7.50		1,000
04P	24	11.50		1,000
05P	24	11.50		1,000
06P	24	11.50		1,000
07P	24	11.50		1,000
08P	24	11.50		1,000
09P	32	14.20		28.40
10P	32	14.20	28.40	1,000
11P	32	14.20	28.40	1,000
12P	32	14.20	28.40	1,000
13P	44	20.20	40.40	1,000

REV.	REVISION RECORD	DATE	GENERAL TOLERANCES		SCALE:	NAME	DATE	PART.NO:	DWG.NO:	 WanLian Technology Co., Ltd	
A0	NEW RELEASE	22.10.28	LINEAR	ANGLES	1:1	Wang_jr	23.09.19	A1501W91-1XX2XXX	ENDE05		
A1	PART NUMBER RENEWAL	23.09.19	0.00±0.25	X°±3'	CHECK	XueZe_Ma	23.09.19	TITLE:			
			0.00±0.10	X°X' ±2'	DRAWN	LanXuan_Hou	23.09.19	Pitch1.50mm 90°ZH单排卧贴 Wafer LCP			
			UNIT:mm							REV: A1	SHEET: 2/2