

The product using material and processing must conform to the "WI-PZ-001"HSF technical standard control requirements

RoHS+HF

NOTE:

1.MATERIAL SPECIFICATION:

- 1-1.HOUSING: PA9T/LCP
- 1-2.CONTACTS: BRASS
- 1-3.SOLDER TABS: BRASS

2.PLATING SPECIFICATION:

- 2-1.CONTACTS:SN PLATED OVER ALL.
- 2-2.SOLDER TABS:SN PLATED OVER ALL.

3.MECHANICAL PERFORMANCE:

- 3-1.IRETENTIVITY FORCE: 0.7kgf/Pin Min
- 3-2.DURABILITY: 25 CYCLES.

4.ELECTRICAL PERFORMANCE:

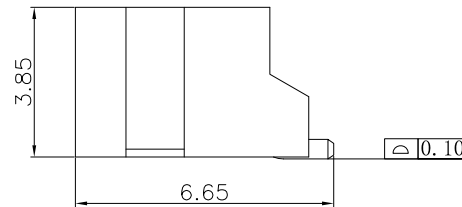
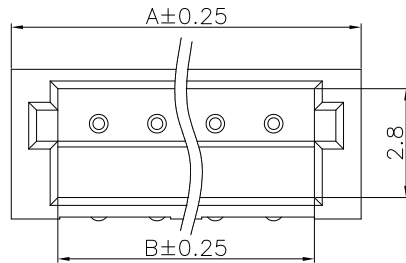
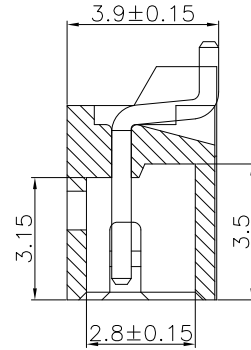
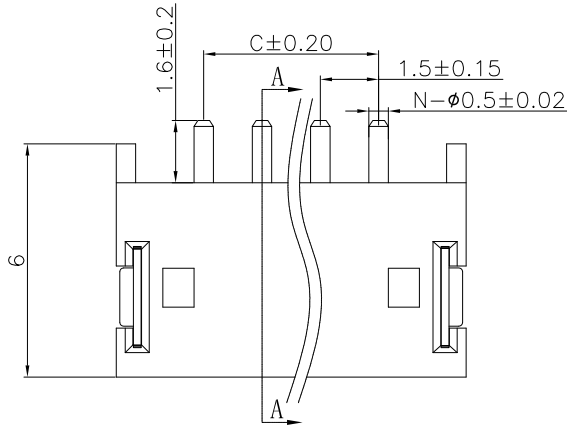
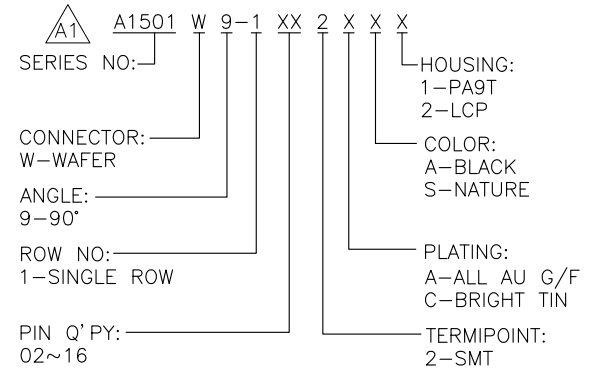
- 4-1.CURRENT RATING: 1.0A
- 4-2.VOLTAGE RATING: 50V MAX
- 4-3.CONTACT RESISTANCE: 20mΩ Max.
- 4-4.INSULATION RESISTANCE: 500MΩ MIN
- 4-5.DIELECTRIC WITHSTANDING VOLTAGE: 500V AC Min

5.ENVIRONMENTAL PERFORMANCE:

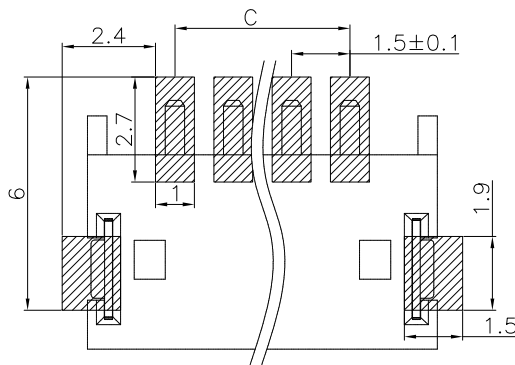
OPERATING TEMPERATURE: -25°C~+85°C.

6.PACKAGE SPEC:REEL

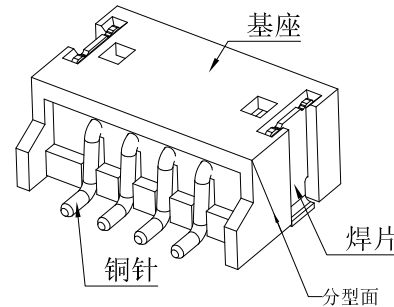
7.P/N ORDER:



SECTION A-A



PCB Layout



Ordering Information & Dimensions

Circuit	Dimensions(mm)			Circuit	Dimensions(mm)		
	A	B	C		A	B	C
02	6.00	3.60	---	10	18.00	15.60	13.50
03	7.50	5.10	3.00	11	19.50	17.10	15.00
04	9.00	6.60	4.50	12	21.00	18.60	16.50
05	10.50	8.10	6.00	13	22.50	20.10	18.00
06	12.00	9.60	7.50	14	24.00	21.60	19.50
07	13.50	11.10	9.00	15	25.50	23.10	21.00
08	15.00	12.60	10.50	16	27.00	24.60	22.50
09	16.50	14.10	12.00				

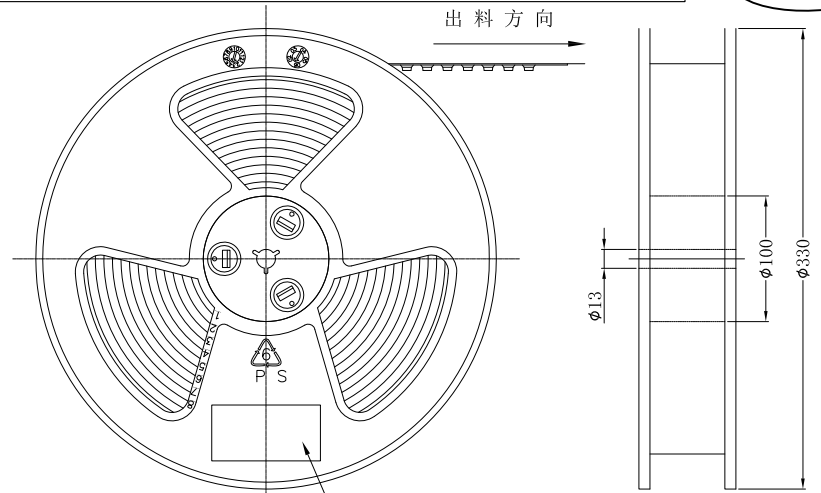
REV.	REVISION RECORD	DATE	UNIT:mm	GENERAL TOLERANCES		SCALE:	NAME	DATE	PART.NO:	DWG.NO:	TITLE:	REV: A1	SHEET: 1/2
A0	NEW RELEASE	21.01.13		LINEAR	ANGLES	1:1							
A1	PART NUMBER RENEWAL	23.09.19	0.00±0.25	X°±3°	DESIGNER	Han_Gao	23.09.19				Pitch1.50mm 90°ZH单排卧贴 Wafer		
			0.00±0.25	X°±3°	DRAWN	Zijun_Huang	23.09.19						
			0.000±0.10	X°X'±2°									



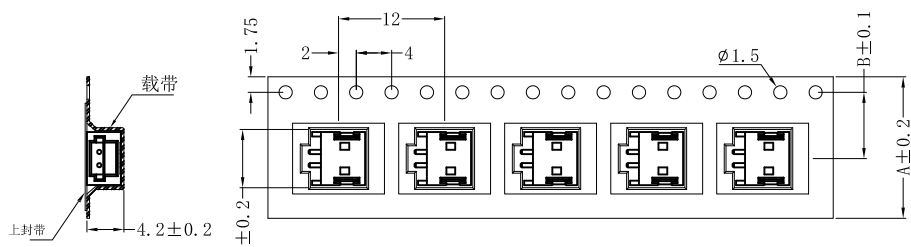
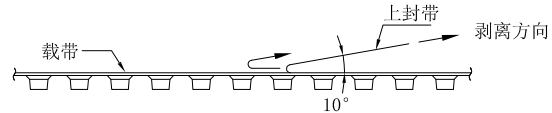
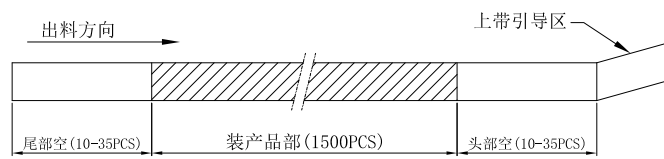
WanLian Technology Co., Ltd

The product using material and processing must conform to the "WI-PZ-001"HSF technical standard control requirements

RoHS+HF

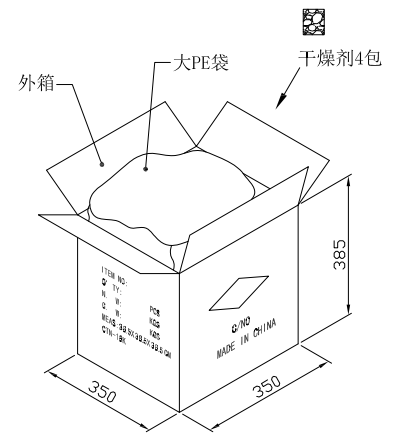
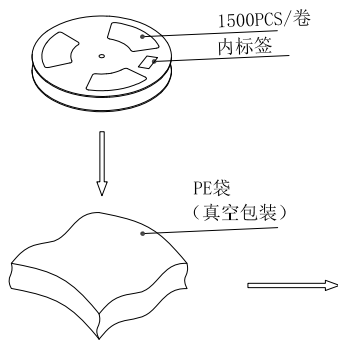


- 备注:
- 1、10个孔的累积公差为±0.2mm
  - 2、载长250mm内允许弯曲度1.0mm
  - 3、材质: PS;100%回收再利用
  - 4、所以尺寸符合EIA-481-C要求
  - 5、上封带剥离强度: 20g~130g (0.2N~1.3N)
  - 6、13英寸的卷盘每卷可装载1500PCS



侧边入口式 出料方向

Circuit	Dimensions (mm)			Circuit	Dimensions (mm)		
	A	B	C		A	B	C
2	16	7.5	6.6	9	24	11.5	17
3	16	7.5	8	10	32	14.2	18.6
4	24	11.5	9.6	11	32	14.2	20
5	24	11.5	11	12	32	14.2	21.6
6	24	11.5	12.6	13	44	20.2	23.2
7	24	11.5	14	14	44	20.2	24.5
8	24	11.5	15.6				



REV.	REVISION RECORD	DATE		GENERAL TOLERANCES		SCALE: 1:1	NAME	DATE	PART.NO:	DWG.NO:	 WanLian Technology Co., Ltd
A0	NEW RELEASE	21.01.13		LINEAR	ANGLES	APPROVED	Wang_jr	23.09.19	A1501W9-1XX2XXX	ENDE05	
A1	PART NUMBER RENEWAL	23.09.19		0.0±0.35	X°REF±6°	DESIGNER	Han_Gao	23.09.19	TITLE: package drawing		REV: A1 SHEET: 2/2
				UNIT:mm	0.00±0.25	X°±3°	DRAWN	Zijun_Huang			
			SIZE: A4	0.000±0.10	X°X' ±2°						