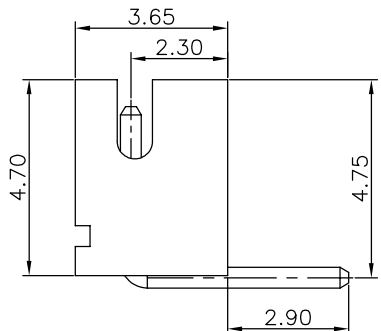
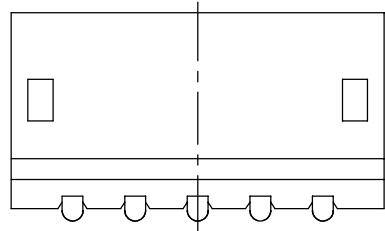
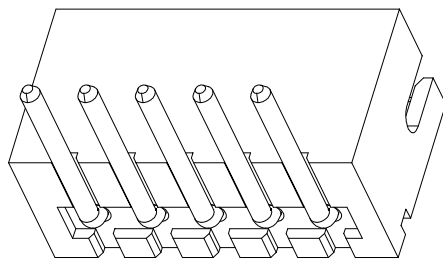
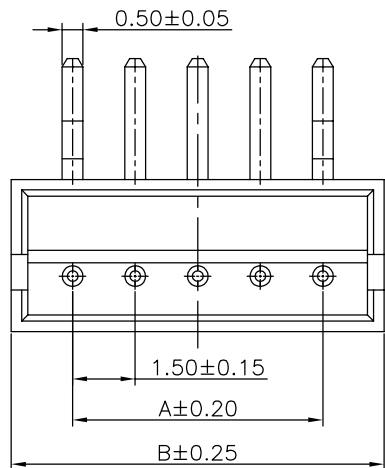


The product using material and processing must conform to the "WI-PZ-001" HSF technical standard control requirements

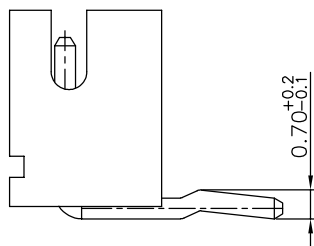
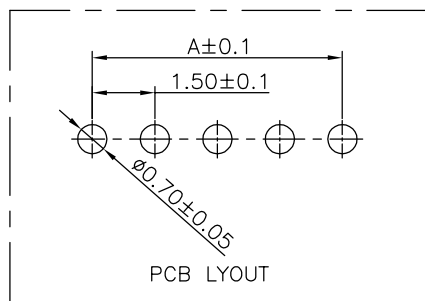
NOTE:  
 1.MATERIAL SPECIFICATION:  
 1-1.HOUSING: PA66,UL94V-0  
 1-2.CONTACTS: BRASS  
 2.PLATING SPECIFICATION:  
 2-1.CONTACTS:  
 TIN/GOLD FLASH PLATED OVER ALL.  
 3.MECHANICAL PERFORMANCE:  
 3-1.RETENTIVITY FORCE: 0.6KGF/Pin Min  
 3-2.DURABILITY: 50 CYCLES.  
 4.ELECTRICAL PERFORMANCE:  
 4-1.CURRENT RATING: 1A  
 RATED VOLTAGE : 50V  
 4-2.CONTACT RESISTANCE: 20 mΩ MAX  
 4-3.INSULATION RESISTANCE: 500MΩ Min  
 4-4.DIELECTRIC WITHSTANDING : 500V AC  
 5.ENVIRONMENTAL PERFORMANCE:  
 5-1.OPERATING TEMPERATURE: -25°C~+85°C.  
 6.PACKAGE SPEC: PE BAG  
 7.P/N:

△A1 A1501 W 9-1 XX 1 X X X  
 SERIES NO: TYPE  
 1-无K脚  
 2-打K脚  
 COLOR:  
 K-WHITE(低温料, RoHS+HF)  
 M-BEIGE(高温料, RoHS)  
 PLATING:  
 A-ALL AU G/F  
 C-BRIGHT TIN  
 CONNECTOR:  
 W-WAFER  
 ANGLE:  
 9-90°  
 ROW NO:  
 1-SINGLE ROW  
 PIN Q'PY:  
 02~20  
 TERMIPOINT:  
 1-DIP

Circuit	Dimensions(mm)		Circuit	Dimensions(mm)	
	A	B		A	B
02	1.50	4.50	12	16.50	19.50
03	3.00	6.00	13	18.00	21.00
04	4.50	7.50	14	19.50	22.50
05	6.00	9.00	15	21.00	24.00
06	7.50	10.50	16	22.50	25.50
07	9.00	12.00	17	24.00	27.00
08	10.50	13.50	18	25.50	28.50
09	12.00	15.00	19	27.00	30.00
10	13.50	16.50	20	28.50	31.50
11	15.00	18.00			



1-无K脚



2-打K脚

REV.	REVISION RECORD	DATE	GENERAL TOLERANCES		SCALE:	NAME	DATE	PART.NO:	DWG.NO:
A0	NEW RELEASE	22.10.28	LINEAR	ANGLES	1:1	Wang_jr	23.09.19	A1501W9-1XX1XXX	ENDE05
A1	PART NUMBER RENEWAL	23.09.19			0.00±0.35				
			0.00±0.25	X'±3°	CHECK	XueZe_Ma	23.09.19	TITLE: Pitch1.50mm 90°ZH单排卧插无定位墙 Wafer	
			0.000±0.10	X'X' ±2°	DRAWN	LanXuan_Hou	23.09.19		

**万进科技**  
 WanLian Technology Co., Ltd

REV: A1 SHEET: 1/1