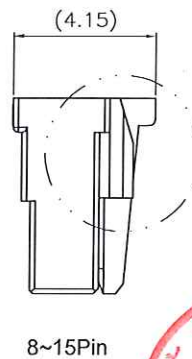
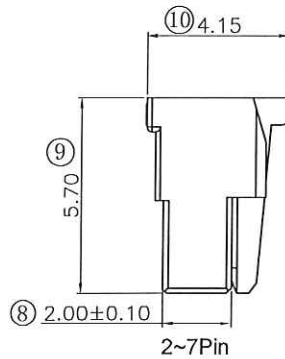
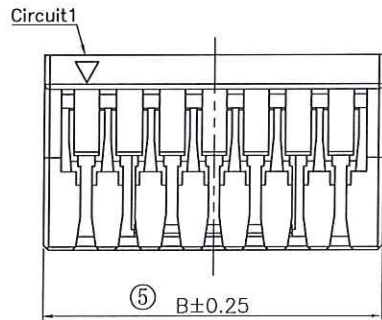
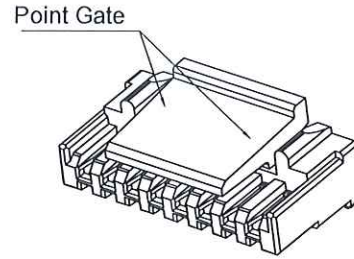
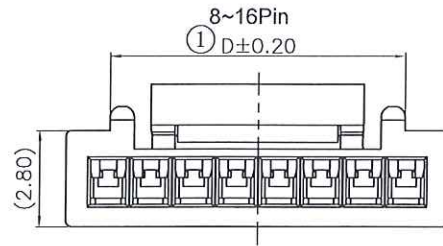
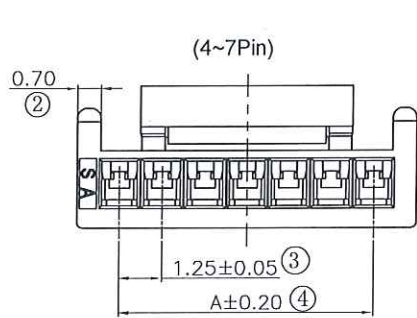


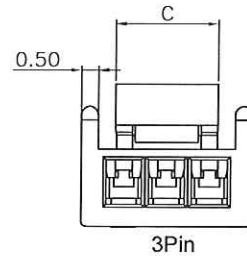
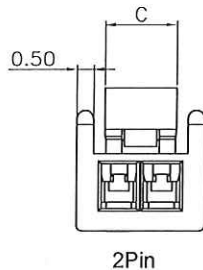
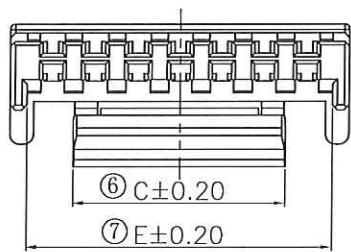
The product using material and processing must conform to the "WI-PZ-001"HSF technical standard control requirements

RoHS+HF



NOTE:
 1.MATERIAL SPECIFICATION:
 1-1.HOUSING: PA66,UL94V-0
 2.ELECTRICAL PERFORMANCE:
 2-1.INSULATION RESISTANCE: 100MΩ Min
 2-2.DIELECTRIC WITHSTANDING : 500V
 3.ENVIRONMENTAL PERFORMANCE:
 3-1.OPERATING TEMPERATURE: -25°C~+85°C.
 4.PACKAGE SPEC: PE BAG
 5.P/N:

SERIES NO: A1257 H M-1 XX X 0
 CONNECTOR: H-HOUSING
 MALE FEMALE: M-MALE
 COLOR: A-BLACK, K-WHITE
 PIN Q'PY: 02~16
 ROW NO: 1-SINGLE ROW



Ordering Information & Dimensions

Circuit	Dimensions(mm)					Circuit	Dimensions(mm)				
	A	B	C	D	E		A	B	C	D	E
02	1.25	3.75	2.10	2.75	10	11.25	13.75	8.20	10.70	12.75	
03	2.50	5.00	3.00	4.00	11	12.50	15.00	8.20	10.70	14.00	
04	3.75	6.25	4.05	5.25	12	13.75	16.25	8.20	10.70	15.25	
05	5.00	7.50	4.25	6.50	13	15.00	17.50	8.20	10.70	16.50	
06	6.25	8.75	6.25	7.75	14	16.25	18.75	8.20	10.70	17.75	
07	7.50	10.00	6.25	9.00	15	17.50	20.00	8.20	10.70	19.00	
08	8.75	11.25	6.25	8.65	10.25	16	18.75	21.25	8.20	20.25	
09	10.00	12.50	6.25	8.65	11.50						

REV.	REVISION RECORD	DATE	GENERAL TOLERANCES	SCALE: 1:1	NAME	DATE	PART.NO:	DWG.NO:
AO	NEW RELEASE		LINEAR	APPROVED	马学峰	2024.6.20	A1257HM-1XXX0	ENDE05
			0.0±0.35	DESIGNER	梁林积	2024.6.20	TITLE:	WanLian Technology Co., Ltd
			0.00±0.25	DRAWN	肖雨曦	2024.6.20	1.25mm Pitch 180° GH Single Row Housing	REV: AO
			0.000±0.10					SHEET: 1/2

1

2

3

4

5

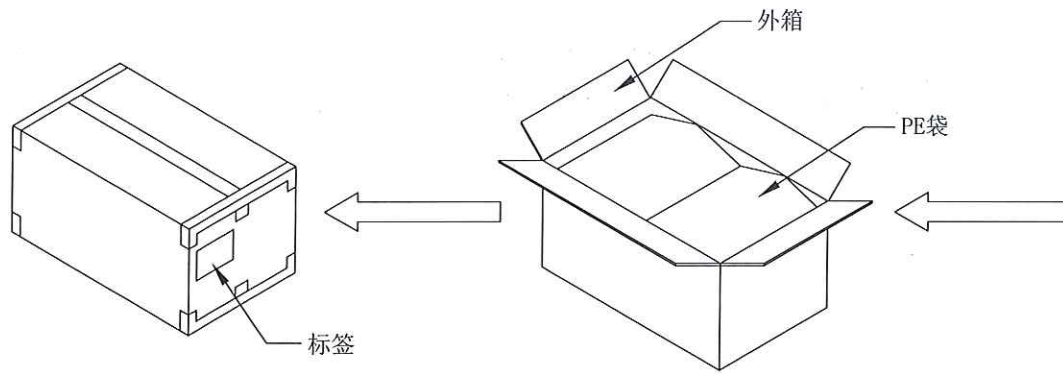
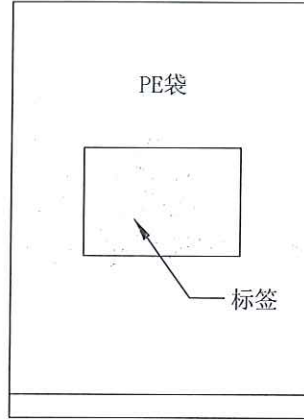
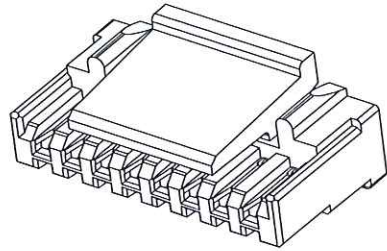
6

7

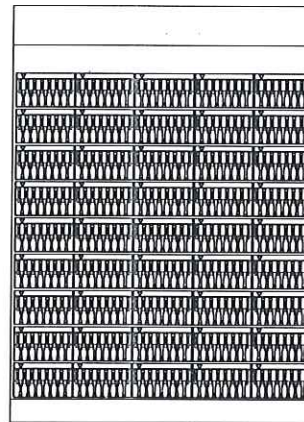
8

The product using material and processing must conform to the "WI-PZ-001" HSF technical standard control requirements

RoHS+HF



纸箱规格: 300*225*200MM



注意事项:

1. 产品不可少数、多数;
2. 内外包装均需有数量标签;
3. 不同PIN位包装时须分开放置不可装入同一外箱中。
4. 同一订单尾数包装需用不影响品质之物品填充并注明尾数。

Circuit	Bag Pcs	CARTON Bag	CARTON Pcs
02	1K	50	50K
03	1K	50	50K
04	1K	50	50K
05	1K	50	50K
06	1K	50	50K
07	1K	50	50K
08	1K	50	50K
09	1K	50	50K
10	1K	50	50K
11	1K	50	50K
12	1K	50	50K
13	1K	50	50K
14	1K	50	50K
15	1K	50	50K

REV.	REVISION RECORD	DATE	UNIT:mm	GENERAL TOLERANCES		SCALE: 1:1	NAME	DATE	PART.NO:	DWG.NO:	REV: A0	SHEET: 2/2
A0	NEW RELEASE			SIZE: A4	LINEAR	ANGLES	APPROVED	梁林积	2024.6.20	A1257HM-1XXX0		
				0.0±0.35	X'REF±6'	DESIGNER	肖雨羲	2024.6.20	TITLE: 1.25mm Pitch 180° GH Single Row Housing			
				0.00±0.25	X'±3'	DRAWN	肖雨羲	2024.6.20				
				0.000±0.10	X'X' ±2'							

