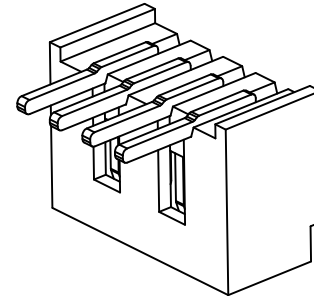


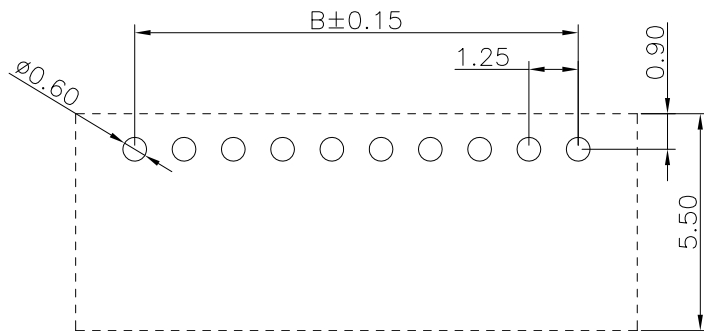
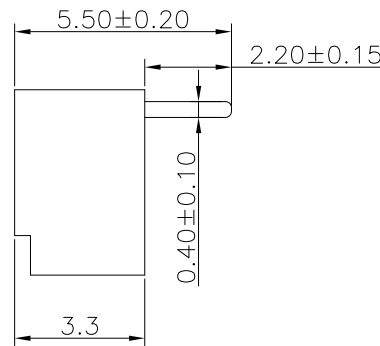
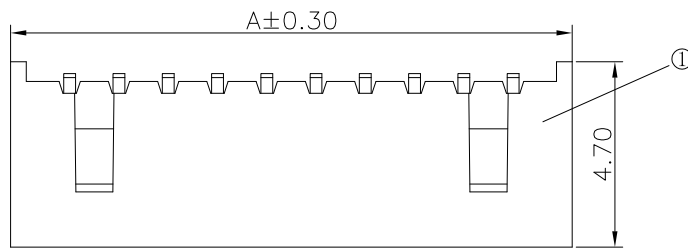
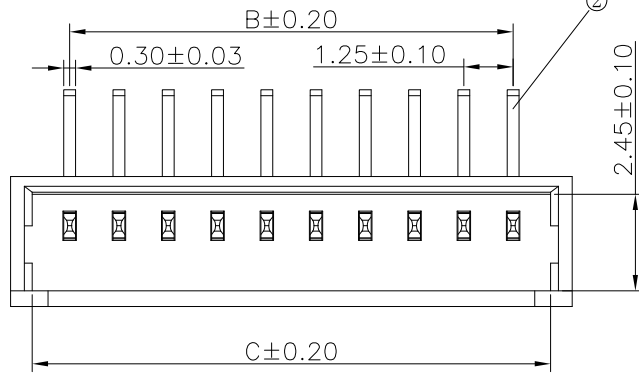
The product using material and processing must conform to the "WI-PZ-001" HSF technical standard control requirements

RoHS+HF

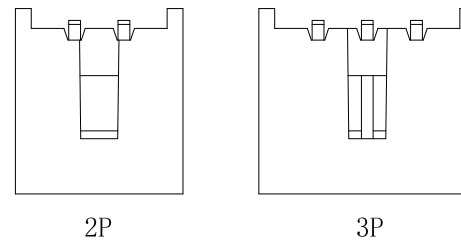
- NOTE:
- MATERIAL SPECIFICATION:
    - HOUSING: LCP, UL94V-0
    - CONTACTS: BRASS
  - PLATING SPECIFICATION:
    - CONTACTS: TIN/GOLD FLASH PLATED OVER ALL.
  - MECHANICAL PERFORMANCE:
    - RETENTIVITY FORCE: 0.7KGF/pin min
    - DURABILITY: 50 CYCLES.
  - ELECTRICAL PERFORMANCE:
    - CURRENT RATING: 1A AC/DC  
RATED VOLTAGE : 125V AC/DC
    - CONTACT RESISTANCE: 30 mΩ MAX
    - INSULATION RESISTANCE: 100MΩ Min
    - DIELECTRIC WITHSTANDING : 500V
  - ENVIRONMENTAL PERFORMANCE:
    - OPERATING TEMPERATURE: -25°C~+85°C.
  - PACKAGE SPEC: PE BAG/REEL
  - P/N:



3D VIEW



PCB Layout



A1251 W 9 1-1 XX 1 X X X  
 SERIES NO: \_\_\_\_\_  
 CONNECTOR: \_\_\_\_\_  
 W-WAFER  
 ANGLE: \_\_\_\_\_  
 9-90°  
 TYPE: \_\_\_\_\_  
 1-TYPE 1  
 ROW NO: \_\_\_\_\_  
 1-SINGLE ROW  
 PIN Q'PY: \_\_\_\_\_  
 02~16  
 Package Spec:  
 0-Reel  
 1-PE BAG  
 COLOR:  
 A-BLACK  
 M-BEIGE  
 PLATING:  
 A-ALL AU G/F  
 C-BRIGHT TIN  
 D-MATTE TIN  
 TERMIPOINT:  
 1-DIP

Ordering Information & Dimensions

Poles	Dimensions(mm)			Poles	Dimensions(mm)		
	A	B	C		A	B	C
02	4.20	---	3.10	10	14.20	11.25	13.10
03	5.45	2.50	4.35	11	15.45	12.50	14.35
04	6.70	3.75	5.60	12	16.70	13.75	15.60
05	7.95	5.00	6.85	13	17.95	15.00	16.85
06	9.20	6.25	8.10	14	19.20	16.25	18.10
07	10.45	7.50	9.35	15	20.45	17.50	19.35
08	11.70	8.75	10.60	16	21.70	18.75	20.60
09	12.95	10.00	11.85				

REV.	REVISION RECORD	DATE		GENERAL TOLERANCES		SCALE:	NAME	DATE	PART.NO:	DWG.NO:	
A0	NEW RELEASE	21.11.17			LINEAR	ANGLES	1:1	Wang_jr	23.9.14	A1251W91-1XX1XXX	
A1	PART NUMBER RENEWAL	23.9.14		0.0±0.35	X'REF±6°	APPROVED	Han_Gao	23.9.14	TITLE: Pitch 1.25mm 90° 单排闭口卧插 Wafer	REV: A1	SHEET: 1/2
				0.00±0.25	X'±3°	DESIGNER	Zijun_Huang	23.9.14			
				0.000±0.10	X'X' ±2°	DRAWN					

The product using material and processing must conform to the "WI-PZ-001" HSF technical standard control requirements

RoHS+HF

备注:

- 1、10个孔的累积公差为±0.2mm
- 2、载长250mm内允许弯曲度1.0mm
- 3、材质: PS;100%回收再利用
- 4、所以尺寸符合EIA-481-C要求
- 5、上封带剥离强度: 20g~130g(0.2N~1.3N)
- 6、13英寸的卷盘每卷可装载1000PCS
- 7、载带材料: 白色聚苯乙烯

A

B

C

D

E

F

G

H

A

B

C

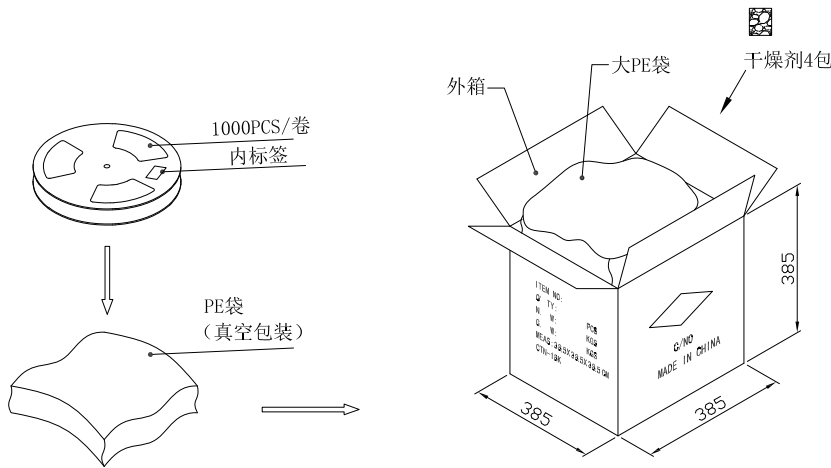
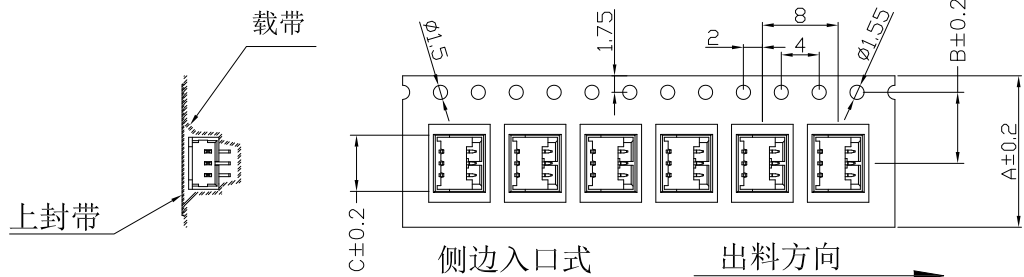
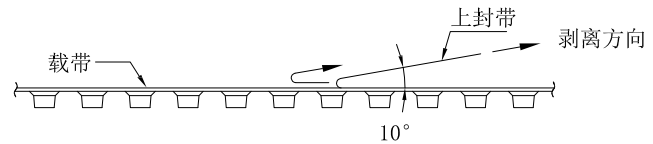
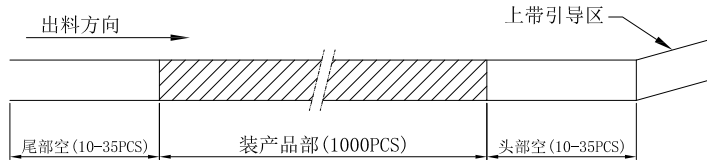
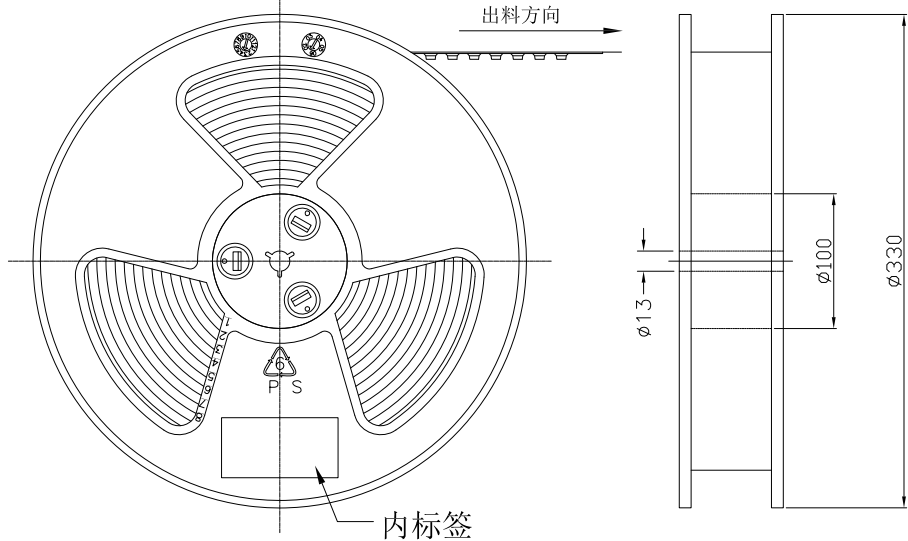
D

E

F

G

H



PIN	A	B	C
2	12.00	5.50	4.60
3	16.00	7.50	5.90
6	24.00	11.50	9.60
8	24.00	11.50	12.10
10	24.00	11.50	14.60

REV.	REVISION RECORD	DATE	GENERAL TOLERANCES		SCALE:	NAME	DATE	PART.NO:	DWG.NO:	 WanLian Technology Co., Ltd REV: A1 SHEET: 2/2
A0	NEW RELEASE	21.11.17		LINEAR	1:1	Wang_jr	23.9.14	A1251W91-1XX1XXX	ENDE05	
A1	PART NUMBER RENEWAL	23.9.14		ANGLES	APPROVED					
			UNIT:mm	0.00±0.25	X°±3°	DESIGNER	Han_Gao	23.9.14	TITLE:	
			SIZE: A4	0.000±0.10	X°X' ±2°	DRAWN	Zijun_Huang	23.9.14	Pitch 1.25mm 90°单排闭口卧插 Wafer卷装包规	