

13962W90-NPX-HF

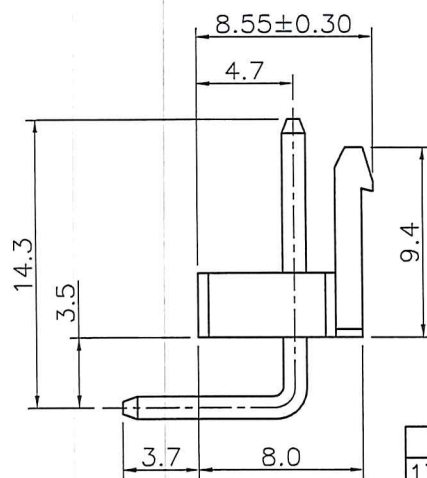
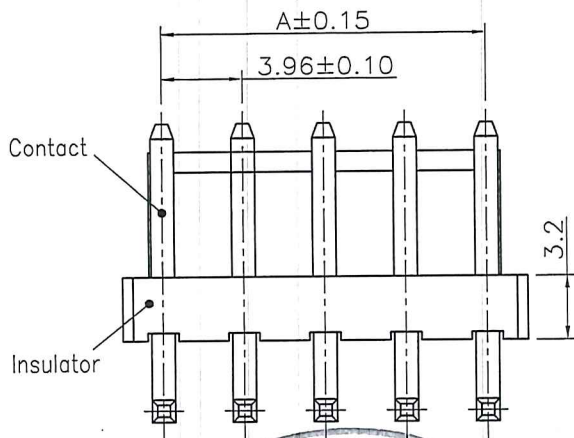
① ② ③ ④ ⑤

- ① Series No.
- ② W90 : Side Contact  
W00 : Up Contact
- ③ No. of Circuits
- ④ X : Product color(A--Y)  
Blank-Natural type  
A-Black C-Red
- ⑤ HF : Halogen Free




Circuit	Dimensions	
	A	B
2P	--	7.92
3P	7.92	11.88
4P	11.88	15.84
5P	15.84	19.80
6P	19.80	23.76
7P	23.76	27.72
8P	27.72	31.68
9P	31.68	35.64
10P	35.64	39.60
11P	39.60	43.56
12P	43.56	47.52
13P	47.52	51.48
14P	51.48	55.44
15P	55.44	59.40

Specifications:  
 Rated Voltage : 250V AC/DC  
 Rated Current : 10A AC,DC  
 Withstand Voltage : 1500V AC/minute  
 Contact Resistance : 10mΩ(MAX.)  
 Insulation Resistance : 1000MΩ(MIN.)  
 Temperature Range : -25°C~+85°C  
 The product using material and processing must conform to the "WI-PZ-142" HSF technical standard control requirements



Part No.	Material	Color	PIN Material
13962W90-NP-HF	Nylon 66,UL94V-0	Natural(White)	Barss/Tin-plated
13962W90-NP-5B-HF	Nylon 66,UL94V-0	Natural(White)	Brass/2u" Au
13962W90-NPA-HF	Nylon 66,UL94V-0	Black	Barss/Tin-plated
13962W90-NPC-HF	Nylon 66,UL94V-0	Red	Barss/Tin-plated



REV.	REVISION RECORD	GENERAL TOLERANCES	SCALE	NAME	DATE	PART NO.	DWG NO.	 TERMINAL&CONNECTORS
CO	新图面发行	LINEAR	1:1	Nelson	23.01.05	13962W90-NP-HF	ENDE05	
C1	修改卡扣结构	ANGLES	APPROVED	Y27	23.01.05	TITLE		
C2	变更公司名称	0.0±0.25	DESIGNER	HZJ	23.01.05	3.96mm Pitch Dip Type 90° Wafer		
C3	依PBJOA202201100004新增规格	X° REF±6°	DRAWN					

REV	C3	SHEET	1/1