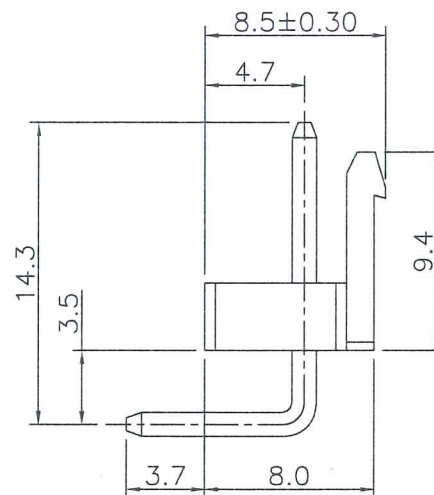
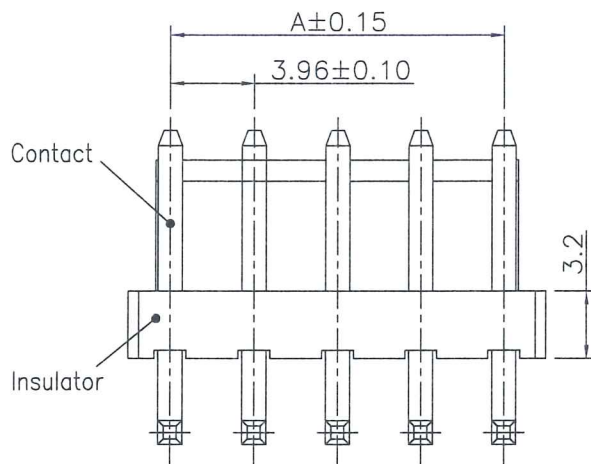
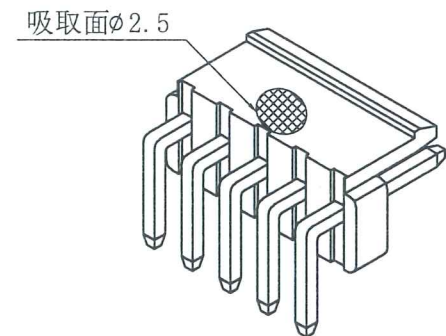


13962W90-NPX-HF-R  
① ② ③ ④ ⑤ ⑥

- ① Series No.
- ② W90 : Side Contact  
W00 : Up Contact
- ③ No. of Circuits
- ④ X : Product color(A--Y)  
Blank--Natural type  
A--Black C--Red
- ⑤ HF : Halogen Free
- ⑥ Package



Specifications:

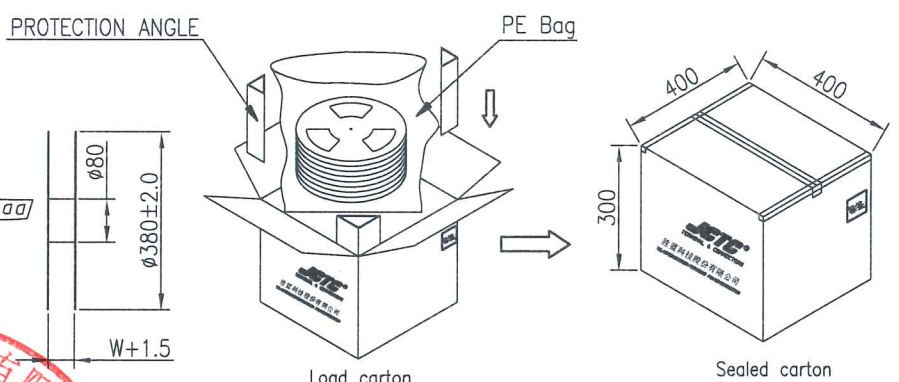
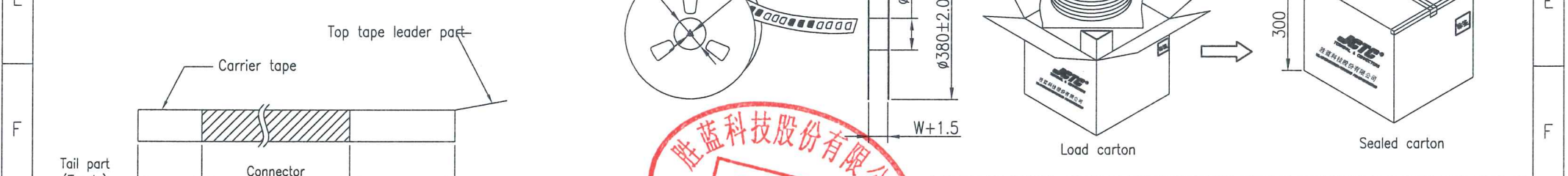
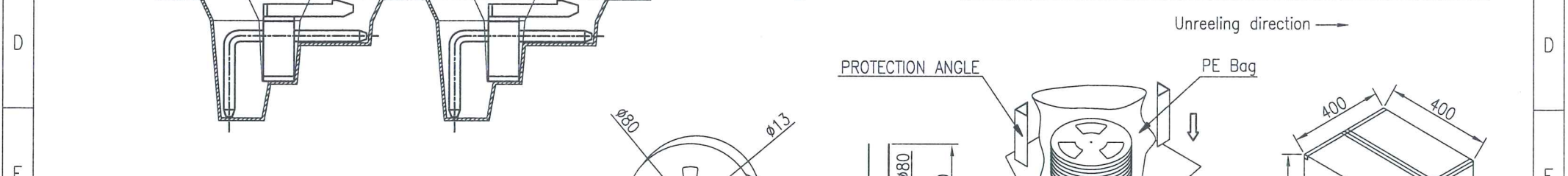
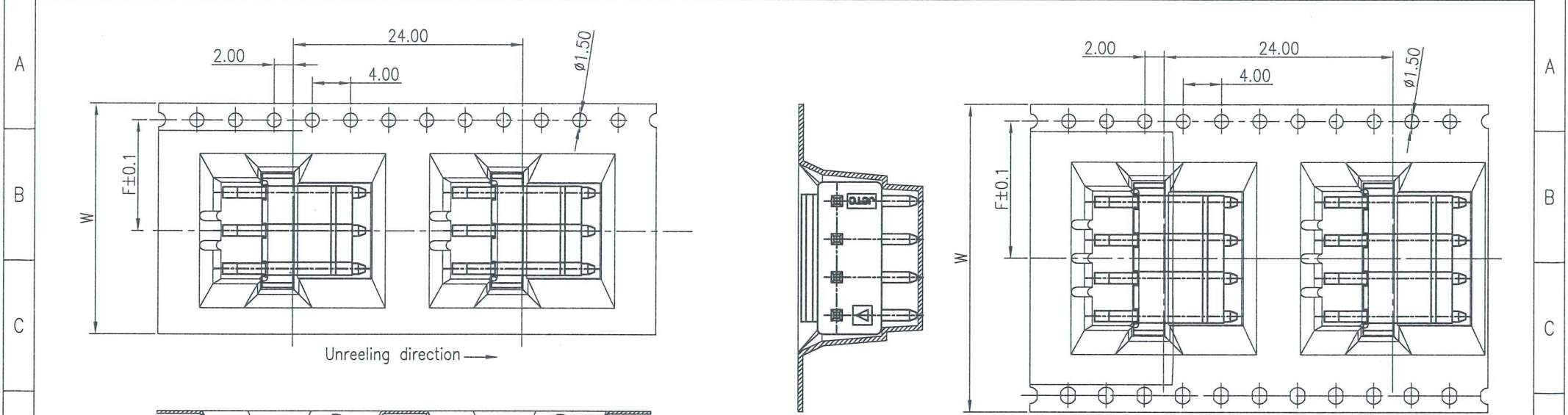
Rated Voltage : 250V AC/DC  
 Rated Current : 10A AC,DC  
 Withstand Voltage : 1500V AC/minute  
 Contact Resistance : 10mΩ(MAX.)  
 Insulation Resistance : 1000MΩ(MIN.)  
 Temperature Range : -25°C~+85°C  
 Contact: Brass/Tin-plated  
 Material: Nylon 66,UL94V-0 Halogen Free  
 Color: Natural(White)  
 The product using material and processing must conform to the "WI-PZ-142" HSF technical standard control requirements



Circuit	Dimensions	
	A	B
2P	--	7.92
3P	7.92	11.88
4P	11.88	15.84
5P	15.84	19.80
6P	19.80	23.76
7P	23.76	27.72
8P	27.72	31.68
9P	31.68	35.64
10P	35.64	39.60
11P	39.60	43.56
12P	43.56	47.52
13P	47.52	51.48
14P	51.48	55.44
15P	55.44	59.40

REV.	REVISION RECORD	DATE	UNIT: MM	GENERAL TOLERANCES		SCALE	NAME	DATE	PART NO.	DWG NO.	<b>JCTC</b> <sup>®</sup> TERMINAL&CONNECTORS	
AO	The new version file were released	2018.05.28		SIZE: A4	LINEAR	ANGLES	1:1	APPROVED <i>Nelson</i>	21.08.18	13962W90-NP-HF-R		ENDE05
A1	WR2108100207	2021.08.10	0.0±0.25		X° REF±6°	DESIGNER <i>ML</i>	TITLE					
			0.00±0.15	X° ±3°	DRAWN	Joe.peng	2021.08.10	3.96mm Pitch Dip Type 90°Wafer	REV	A1		SHEET

1 2 3 4 5 6 7 8



Number of Contacts	W±0.3	F±0.1	Pcs/Reel	Pcs/Box
2~3P	24	11.50	300	3000
4~5P	32	14.20	300	2400
6~7P	44	20.20	300	1800
8~9P	56	26.20	300	1500

REV.	REVISION RECORD	DATE	GENERAL TOLERANCES	SCALE	NAME	DATE	PART NO.	DWG NO.	 <b>JCTC</b> <sup>®</sup> TERMINAL&CONNECTORS
A0	The new version file were released	2018.05.28	LINEAR	1:1	Nelson	21.08.18	13962W90-NP-HF-R	ENDE05	
A1	WR2108100207	2021.08.10	0.0±0.25	APPROVED	ML	21.08.18			
			0.00±0.15	DESIGNER	Joe.peng	2021.08.10	TITLE	3.96mm Pitch Dip Type 90° Wafer	
			0.000±0.08	DRAWN					

1 2 3 4 5 6 7 8

REV A1 SHEET 2/2