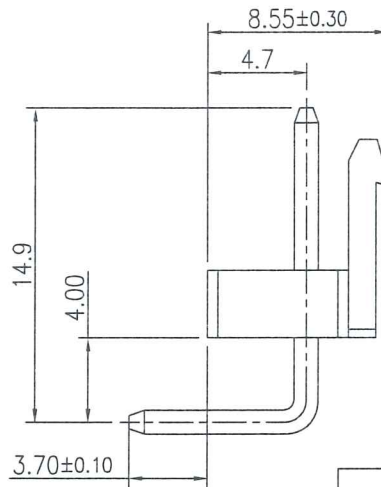
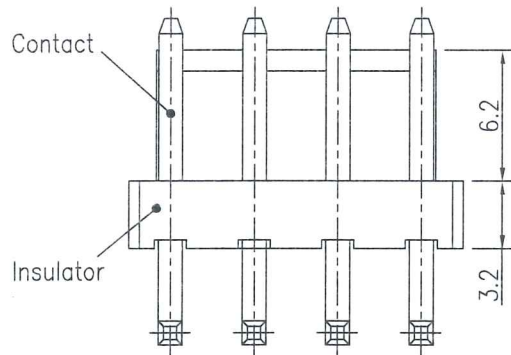


P.C.B Layout (T=1.6mm)  
GENERAL TOLERANCES:±0.05

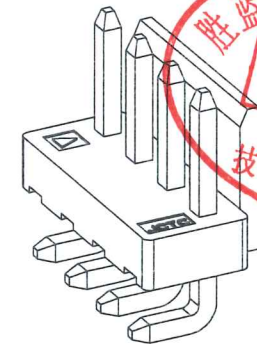


Specifications:  
 Rated Voltage : 250V AC/DC  
 Rated Current : 10A AC,DC  
 Withstand Voltage : 1500V AC/minute  
 Contact Resistance : 10mΩ(MAX.)  
 Insulation Resistance : 1000MΩ(MIN.)  
 Temperature Range : -25°C~+85°C  
 The product using material and processing must conform to the "WI-PZ-142" HSF technical standard control requirements

13962W90-NPX-C-HF  
 ① ② ③ ④ ⑤ ⑥

- ① Series No.
- ② W90 : Side Contact  
W00 : Up Contact
- ③ No. of Circuits
- ④ X : Product color(A--Y)  
Blank-Natural type  
A-Black C-Red
- ⑤ C : C Type
- ⑥ HF : Halogen Free

Circuit	Dimensions	
	A	B
2P	--	7.92
3P	7.92	11.88
4P	11.88	15.84
5P	15.84	19.80
6P	19.80	23.76
7P	23.76	27.72
8P	27.72	31.68
9P	31.68	35.64
10P	35.64	39.60
11P	39.60	43.56
12P	43.56	47.52
13P	47.52	51.48
14P	51.48	55.44
15P	55.44	59.40



Part No.	Material	Color	Pin Material
13962W90-NP-C-HF	Nylon 66+30%GF,UL94V-0	White	Brass/Tin-plated

REV.	REVISION RECORD	DATE	GENERAL TOLERANCES		SCALE	NAME	DATE	PART NO.	DWG NO.	 <b>TERMINAL&amp;CONNECTORS</b>
AO	The new version file were released	2021.09.14	LINEAR	ANGLES	1:1	Nelson	21.12.06	13962W90-NP-C-HF	ENDE05	
			0.0±0.25	X° REF±6°	APPROVED					
			0.00±0.15	X° ±3°	DESIGNER	vm	21.12.06	TITLE		
			SIZE: A4	0.000±0.08	DRAWN	Joe.peng	2021.09.14	3.96mm Pitch Dip Type 90°Wafer		

REV	AO	SHEET	1/1
-----	----	-------	-----