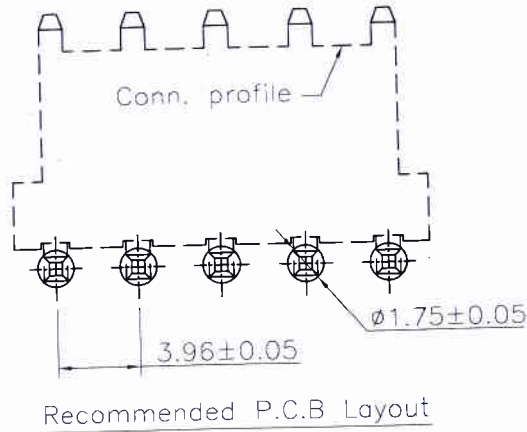
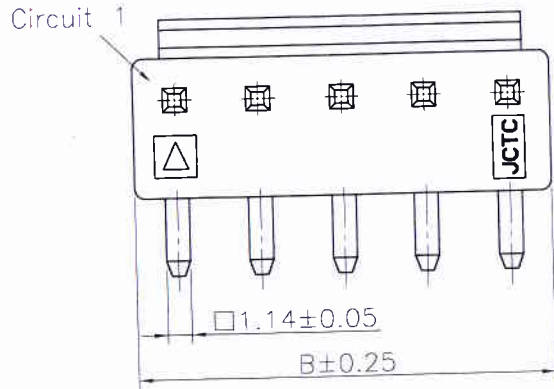
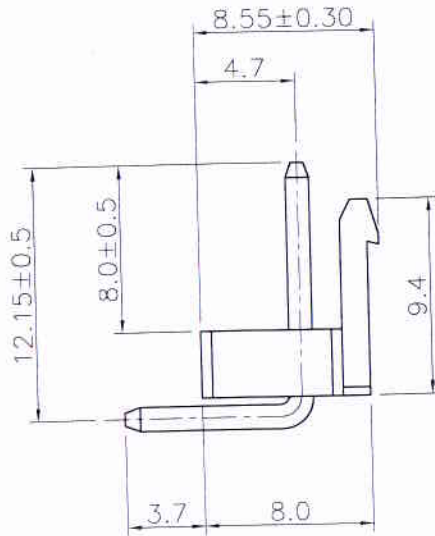
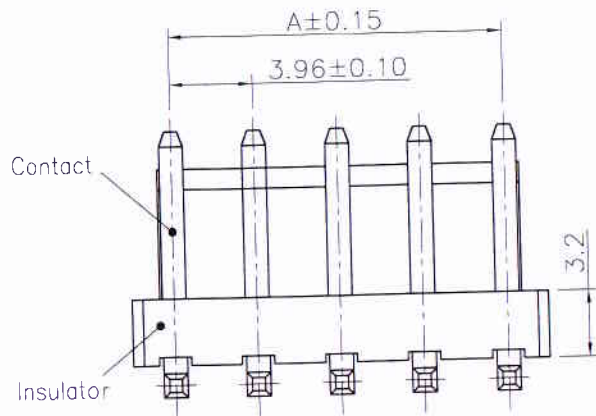


环保物料



Specifications:
 Rated Voltage : 250V AC/DC
 Rated Current : 7A AC,DC
 Withstand Voltage : 1500V AC/minute
 Contact Resistance : 10mΩ(MAX.)
 Insulation Resistance : 1000MΩ(MIN.)
 Temperature Range : -25°C~+85°C
 Contact: Brass/Tin-plated
 Material: Nylon 66,UL94V-0 Halogen Free
 Color: Natural(White)



Circuit	Dimensions	
	A	B
2P	--	7.92
3P	7.92	11.88
4P	11.88	15.84
5P	15.84	19.80
6P	19.80	23.76
7P	23.76	27.72
8P	27.72	31.68
9P	31.68	35.64
10P	35.64	39.60
11P	39.60	43.56
12P	43.56	47.52
13P	47.52	51.48
14P	51.48	55.44
15P	55.44	59.40

REV.	REVISION RECORD	DATE	GENERAL TOLERANCES	SCALE: 1:1	NAME	DATE	JCTC® □苏州伟聚 □东莞胜景 TERMINAL&CONNECTORS ■东莞胜蓝	PART. NO: 13962W90-NP-A-HF
A1	新图面发行	15.12.18	LINEAR: 0.0±0.25	APPROVED	任之毅	15.12.18		TITLE: 3.96mm Pitch Dip Type 90° Wafer
			ANGLES: X° REF±6°	DESIGNER	任之毅	15.12.18	REV: A1	
			UNIT: MM 0.00±0.15	DRAWN	任国伟	15.12.18		
			SIZE: M4 0.000±0.08					