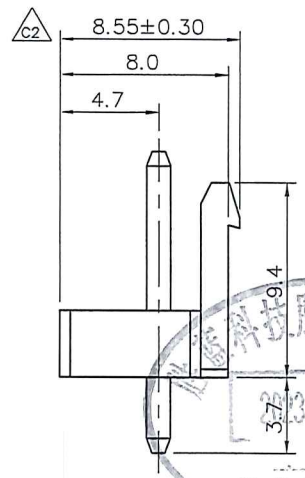
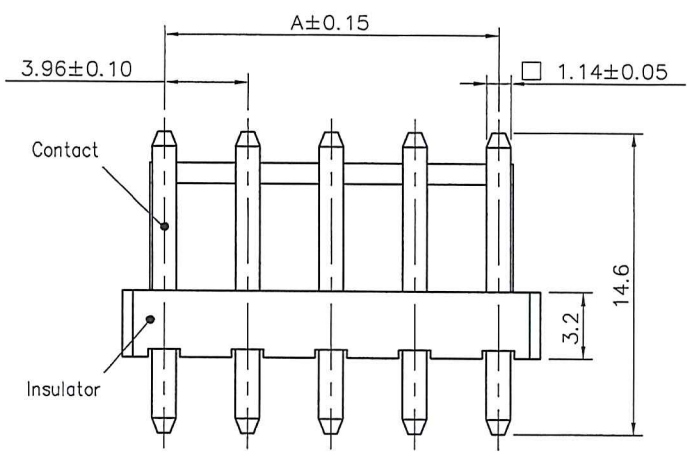
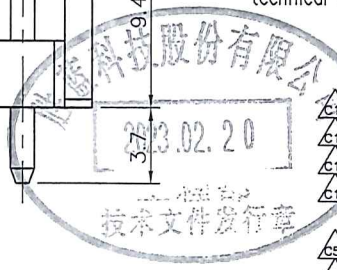


Circuit	Dimensions	
	A	B
2P	--	7.92
3P	7.92	11.88
4P	11.88	15.84
5P	15.84	19.80
6P	19.80	23.76
7P	23.76	27.72
8P	27.72	31.68
9P	31.68	35.64
10P	35.64	39.60
11P	39.60	43.56
12P	43.56	47.52
13P	47.52	51.48
14P	51.48	55.44
15P	55.44	59.40

Specifications:
 Rated Voltage : 250V AC/DC
 Rated Current : 10A AC/DC
 Withstand Voltage : 1500V AC/minute
 Contact Resistance : 10mΩ (MAX.)
 Insulation Resistance : 1000MΩ (MIN.)
 Temperature Range : -25°C~+85°C
 Contact: Brass/Tin-plated
 Material: Nylon 66,UL94V-0 Halogen Free
 The product using material and processing must conform to the "WI-PZ-142"HSF technical standard control requirements



Part No.	Material	Color
3962W00-NP-HF	Nylon66,UL94V-0 Brass/Tin plated	白色
3962W00-NPA-HF	Nylon66,UL94V-0 Brass/Tin plated	黑色
3962W00-NPC-HF	Nylon66,UL94V-0 Brass/Tin plated	红色
3962W00-NPE-HF	Nylon66,UL94V-0 Brass/Tin plated	黄色
3962W00-NPF-HF	Nylon66,UL94V-0 Brass/Tin plated	绿色
3962W00-NPG-HF	Nylon66,UL94V-0 Brass/Tin plated	蓝色
3962W00-NPC-HF-01	Nylon66,UL94V-0 Brass/Tin plated	红色
3962W00-NPE-HF-01	Nylon66,UL94V-0 Brass/Tin plated	黄色
3962W00-NPF-HF-01	Nylon66,UL94V-0 Brass/Tin plated	绿色



REV.	REVISION RECORD	DATE	GENERAL TOLERANCES	SCALE:	NAME	DATE	PART. NO:	DWG. NO:	 TERMINAL&CONNECTORS
C2	修改卡扣结构	15.05.13	LINEAR	1:1			13962W00-NP-HF	ENDE05	
C3	更新公司名称	17.06.23	ANGLES	APPROVED	<i>J. Nelson</i>	23.02.15			
C4	换图框发行	21.01.28	0.00±0.15	DESIGNER	<i>Mu</i>	22.02.15	3.96mm Pitch Dip Type 180° Wafer	REV: C5	
C5	依据YB20230106008新增颜色规格	23.02.14	X° REF±6°	DRAWN	Hui	23.02.14			
			0.00±0.15						