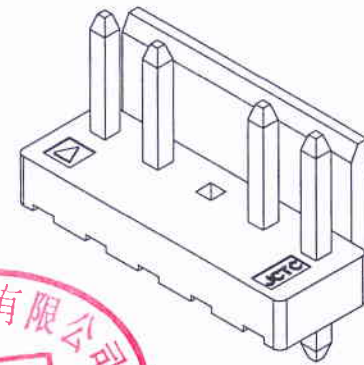
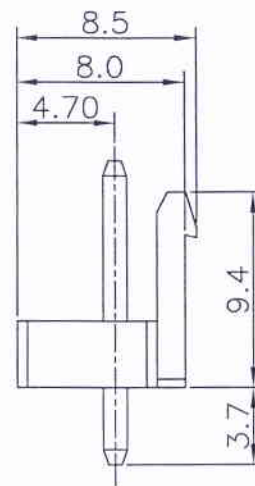
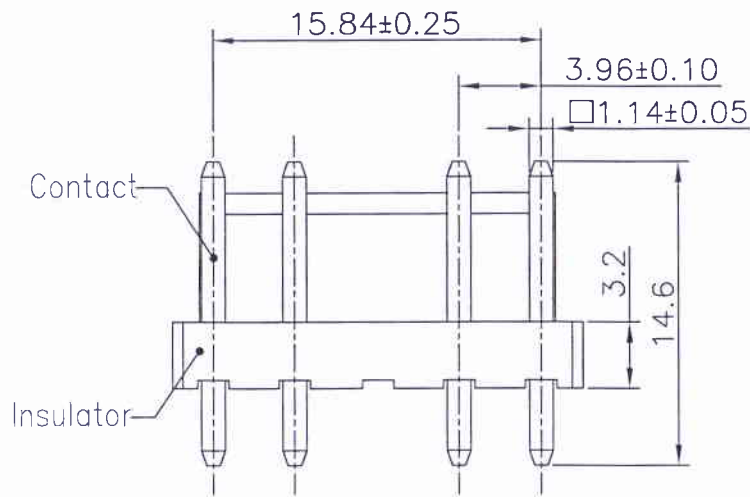


Specifications:
 Rated Voltage : 250V AC/DC
 Rated Current : 10A AC,DC(16#)
 Withstand Voltage : 1500V AC/minute
 Contact Resistance : 10mΩ(MAX.)
 Insulation Resistance : 1000MΩ(MIN.)
 Temperature Range : -25°C~+85°C
 Contact: Brass/Tin-plated
 Insulator; Nylon 66,UL94V-0/Halogen Free
 Color: Natural(White)
 The product using material and processing must conform to the "WI-PZ-142"HSF technical standard control requirements



REV.	REVISION RECORD	DATE	GENERAL TOLERANCES		SCALE:	NAME	DATE	JCTC® 胜蓝科技股份有限公司 TERMINAL&CONNECTORS 东莞市富智达电子科技有限公司	PART. NO:
A0	新图面发行	17.11.17	 LINEAR 0.0±0.25	 ANGLES X° REF±6°	1:1	 2018.08.20	18.08.20		13962W00-5P-HF-004
A1	依WR1808170148设交	18.08.20			 0.00±0.15			 X° ±3°	
			UNIT: MM	0.000±0.08	X° X'±2°	DRAWN	罗春成	TITLE:	REV: A1 SHEET: 1/1 3.96mm PITCH DIP TYPE 180° WAFER(Void #3)