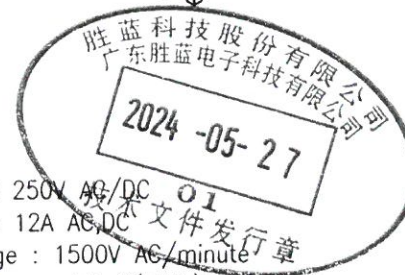
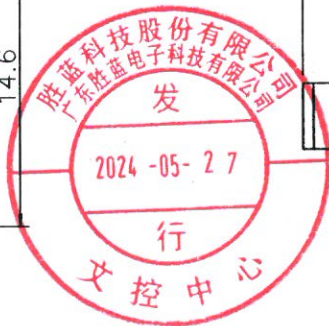
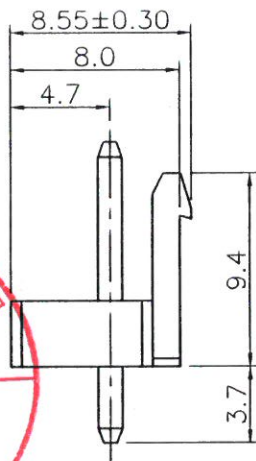
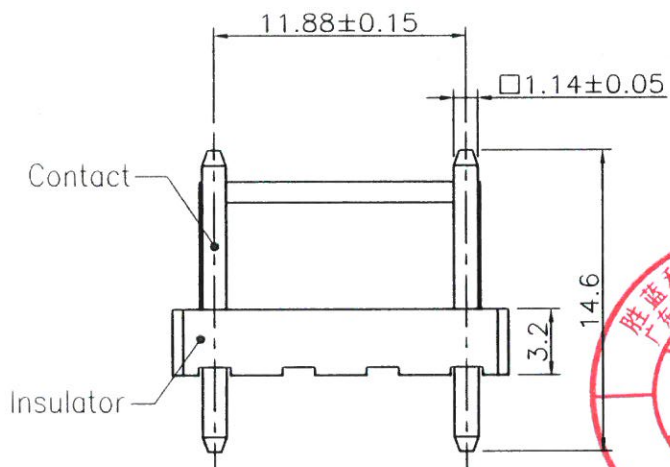
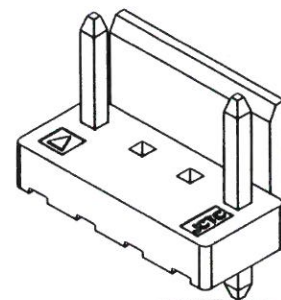


Recommend P.C.B Layout



Specifications:
 Rated Voltage : 250V AC/DC
 Rated Current : 12A AC/DC
 Withstand Voltage : 1500V AC/minute
 Contact Resistance : 10mΩ(MAX.)
 Insulation Resistance : 1000MΩ(MIN.)
 Temperature Range : -25°C~+85°C
 The product using material and processing must conform to the "WI-PZ-142"HSF technical standard control requirements

Part No.	Material	Color
13962W00-4P-HF-004	Nylon66,UL94V-0 Brass/Tin plated	white
13962W00-4PA-HF-004	Nylon66,UL94V-0 Brass/Tin plated	black
13962W00-4PC-HF-004	Nylon66,UL94V-0 Brass/Tin plated	Red

REV.	REVISION RECORD	DATE	GENERAL TOLERANCES		SCALE	NAME	DATE	PART NO.	DWG NO.	
A0	新图面发行	2016.01.21		LINEAR	1:1			13962W00-4P-HF-004	ENDE05	
A1	变更公司名称	2017.05.15		0.0±0.25	ANGLES	APPROVED	mm			
A2	新增黑色规格	2023.09.01	UNIT: MM	0.00±0.15		DESIGNER	SP Peng	24.05.27	TITLE 3.96mm Pitch DIP Type 180° Wafer 空第2P、3P	
A3	新增红色规格	2024.05.27	SIZE: A4	0.000±0.08		DRAWN	Noah	24.05.27		