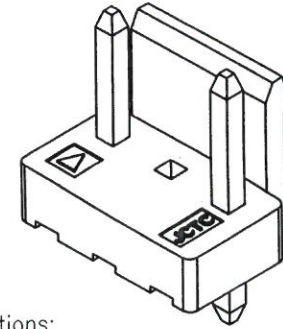
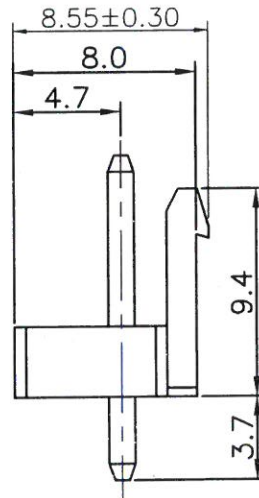
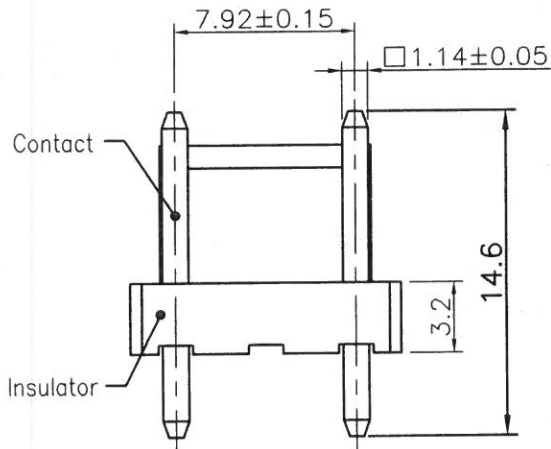


Recommended P.C.B Layout



Specifications:
 Rated Voltage : 250V AC/DC
 Rated Current : 10A AC,DC
 Withstand Voltage : 1500V AC/minute
 Contact Resistance : 10mΩ(MAX.)
 Insulation Resistance : 1000MΩ(MIN.)
 Temperature Range : -25°C~+85°C
 Contact: Brass/Tin-plated
 Material: Nylon 66,UL94V-0 Halogen Free
 The product using material and processing must conform to the "WI-PZ-142"HSF technical standard control requirements



Part No.	Material	Color
13962W00-3P-HF-001	Nylon66,UL94V-0/Brass/Tin plated	white
13962W00-3PA-HF-001	Nylon66,UL94V-0/Brass/Tin plated	black
13962W00-3PC-HF-001	Nylon66,UL94V-0/Brass/Tin plated	red
13962W00-3PE-HF-001	Nylon66,UL94V-0/Brass/Tin plated	yellow
13962W00-3PF-HF-001	Nylon66,UL94V-0/Brass/Tin plated	green
13962W00-3PG-HF-001	Nylon66,UL94V-0/Brass/Tin plated	blue
13962W00-3PC-HF-001-01	Nylon66,UL94V-0/Brass/Tin plated	red
13962W00-3P-5A-HF-001	Nylon66,UL94V-0/Brass/Gold-flash	white
13962W00-3P-P1-HF-001	Nylon66,UL94V-0/Brass/Tin plated	white



REV.	REVISION RECORD	DATE	GENERAL TOLERANCES	SCALE	NAME	DATE	PART NO.	DWG NO.	
C6	新增规格	2023.12.26	LINEAR: 0.0±0.25 ANGLES: X° REF±6°	1:1	APPROVED: <i>vm</i> DESIGNER: <i>JGT</i>	23.12.26 23.12.26	13962W00-3PX-HF-001	ENDE05	
C5	依据YB20230308003新增规格	2023.03.08		UNIT: MM					
C4	PBJ0A202209050012新增规格	2022.09.20	SIZE: A4	0.000±0.08	X° X' ±2°	TITLE: 3.96mm Pitch Dip Type 180° Wafer			
C3	变更公司名称	2017.05.15				2023.12.26	YGT	REV: C6	SHEET: 1/1