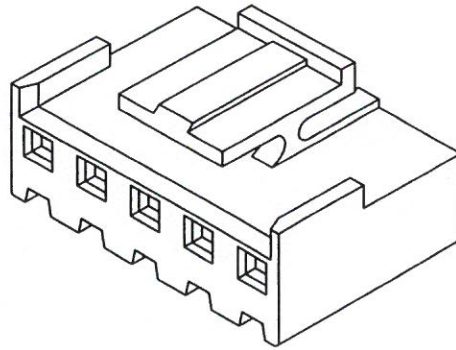
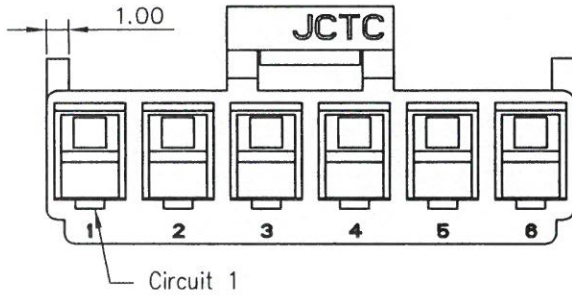
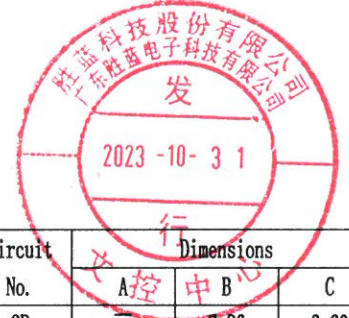
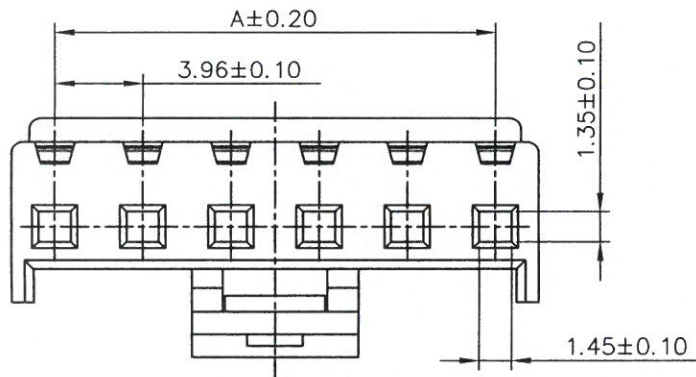
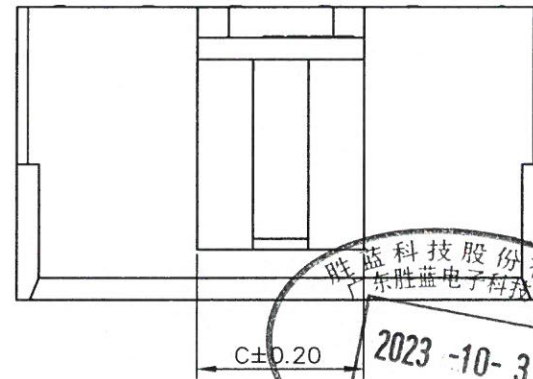
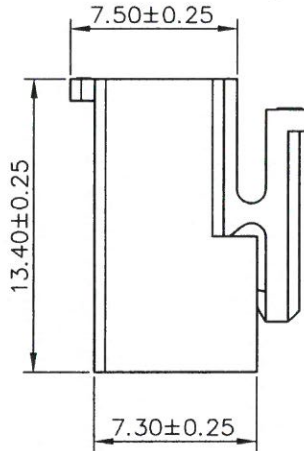
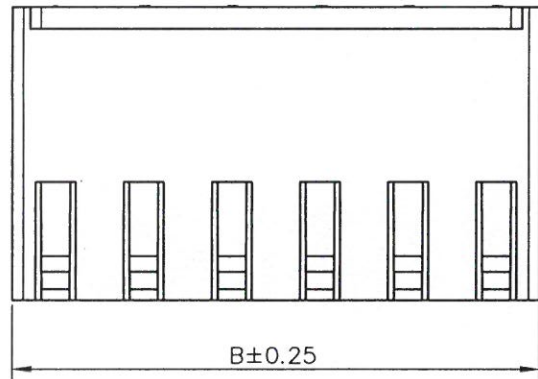


**SPECIFICATIONS**

Current Rating: 7A AC, DC  
 Voltage Rating: 250V AC, DC  
 Contact Resistance: 10mΩ Max.  
 Insulation Resistance: 1000MΩ Min.  
 Withstanding Voltage: 1500V AC/minute  
 The product using material and processing must conform to the "WI-PZ-142" HSF technical standard control requirements



| Circuit No. | Dimensions |       |
|-------------|------------|-------|
|             | A          | B     |
| 2P          | 7.86       | 3.60  |
| 3P          | 7.92       | 11.82 |
| 4P          | 11.88      | 15.78 |
| 5P          | 15.84      | 19.74 |
| 6P          | 19.80      | 23.70 |
| 7P          | 23.76      | 27.66 |
| 8P          | 27.72      | 31.62 |
| 9P          | 31.68      | 35.58 |
| 10P         | 35.64      | 39.54 |
| 11P         | 39.60      | 43.50 |
| 12P         | 43.56      | 47.46 |
| 13P         | 47.52      | 51.42 |
| 14P         | 51.48      | 55.38 |
| 15P         | 55.44      | 59.34 |
| 16P         | 59.40      | 63.30 |



13962 H00 - NP X - HF  
 ① ② ③ ④ ⑤

- ① Series No.
- ② H90 : Side Contact  
H00 : Up Contact
- ③ No. of Circuits
- ④ A : Product color(A-Y)  
Blank: Natural type
- ⑤ HF: Halogen Free

Suitable for JCTC 13962 series terminal

| Part No.          | Material          | Color           | Temperature Range |
|-------------------|-------------------|-----------------|-------------------|
| 13962H00-NP-HF    | Nylon 66, UL94V-0 | Natural (White) | -25° C ~ +85° C   |
| 13962H00-NPA-HF   | Nylon 66, UL94V-0 | Black           |                   |
| 13962H00-NPC-HF   | Nylon 66, UL94V-0 | Red             |                   |
| 13962H00-NPE-HF   | Nylon 66, UL94V-0 | Yellow          |                   |
| 13962H00-NPF-HF   | Nylon 66, UL94V-0 | Green           |                   |
| 13962H00-NPG-HF   | Nylon 66, UL94V-0 | Blue            | -40° C ~ +105° C  |
| 13962H00-NP-P1-HF | Nylon 66, UL94V-0 | Natural (White) |                   |

| REV. | REVISION RECORD      | DATE     | GENERAL TOLERANCES | SCALE:   | NAME | DATE     | PART. NO:               | DWG. NO: |  |
|------|----------------------|----------|--------------------|----------|------|----------|-------------------------|----------|--|
| C2   | 变更公司名称               | 18.08.14 | LINEAR             | 1:1      |      |          | 13962H00-NPX-HF         | ENDE05   |  |
| C3   | 新增红色规格               | 21.10.22 | ANGLES             | APPROVED |      |          |                         |          |  |
| C4   | 依YB20230130002新增绿色规格 | 23.02.15 | 0.0±0.25           | DESIGNER |      |          | VH 3.96mm PITCH HOUSING |          |  |
| C5   | 依YB20230530007新增规格   | 23.10.24 | 0.00±0.15          | DRAWN    | OYD  | 23.10.24 |                         |          |  |
|      |                      |          | 0.000±0.08         |          |      |          |                         |          |  |