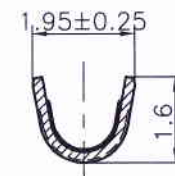
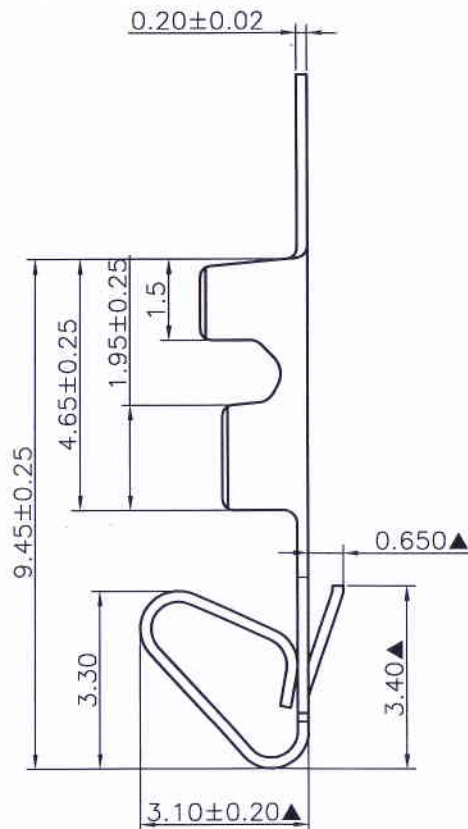
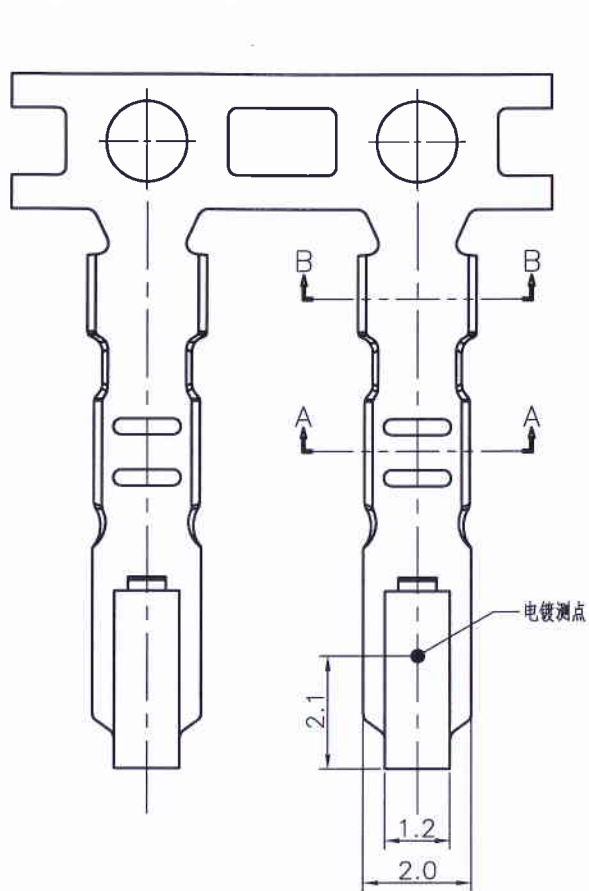
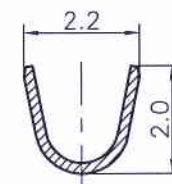


RoHS



SECTION A-A



SECTION B-B



Part No	Wire Range	Insulation O.D.	Material	Finish	Qty/reel
12543TOP-2E-NK-S2	AWG #22~#28	1.70mm(max)	Phosphor Bronze	Ni 50u"Min. ,Tin-plated 100u"Min.	8,000 pcs

REV.	REVISION RECORD	DATE	GENERAL TOLERANCES	SCALE:	NAME	DATE	<b>JCTC</b> ® 胜蓝科技股份有限公司 TERMINAL&CONNECTORS 东莞市富智达电子科技有限公司
A0	新图面发行	12. 10. 12	LINEAR	1:1	APPROVED		
A1	增加锡镀层厚度	17. 01. 10	0.0±0.25	X° REF±6°	DESIGNER	17.01.10	
			UNIT: MM	0.00±0.15	X° ±3°	DRAWN	
			SIZE: A4	0.000±0.08	X° X'±2°		TITLE: 2510 端子 PART. NO: 12543TOP-2E-NK-S2 DWG. NO: ENDE05 REV: A1 SHEET: 1/1