

A  
B  
C  
D  
E  
F  
G  
H

A  
B  
C  
D  
E  
F  
G  
H

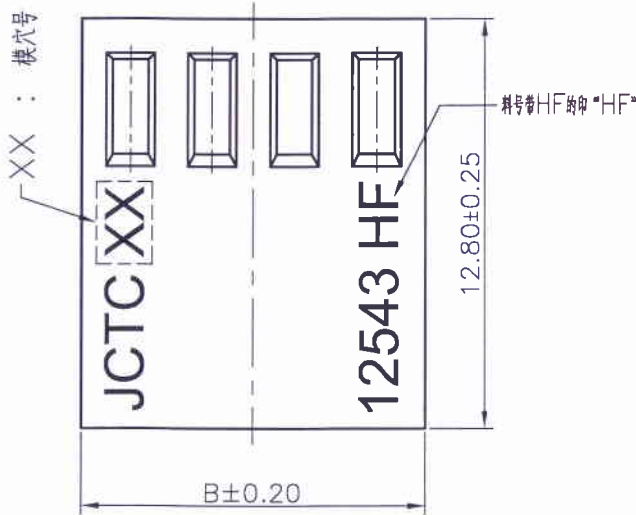
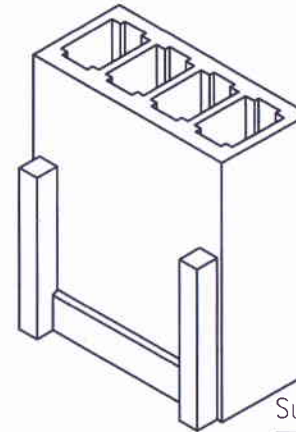
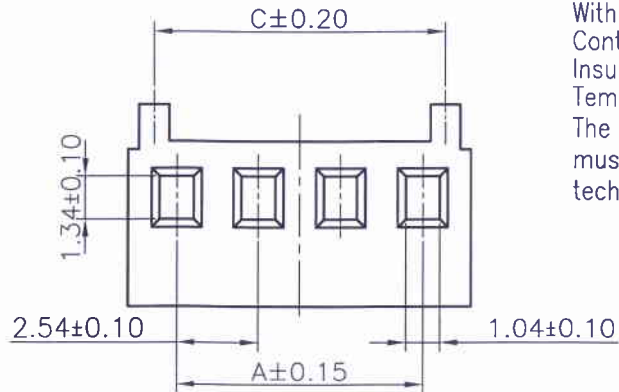
Specifications:  
 Rated Voltage : 250V AC/DC  
 Rated Current : 2.5A AC,DC  
 Withstand Voltage : 1000V AC/minute  
 Contact Resistance : 20mΩ(MAX.)  
 Insulation Resistance : 1000MΩ(MIN.)  
 Temperature Range : -25°C~+85°C  
 The product using material and processing must conform to the "WI-PZ-142"HSF technical standard control requirements

12543H00-NPX-HF

① ② ③④ ⑤

- ① Series No.
- ② H90 : Side Contact  
H00 : Up Contact
- ③ No. of Circuits
- ④ X : Product color(A--Y)  
Blank: Natural type
- ⑤ HF : HF Type

Circuits Part No	Dimensions		
	A	B	C
2P	2.54	5.52	3.94
3P	5.08	8.06	6.48
4P	7.62	10.60	9.02
5P	10.16	13.14	11.56
6P	12.70	15.68	14.10
7P	15.24	18.22	16.64
8P	17.78	20.76	19.18
9P	20.32	23.30	21.72
10P	22.86	25.84	24.26
11P	25.40	28.38	26.80
12P	27.94	30.92	29.34
13P	30.48	33.46	31.88
14P	33.02	36.00	34.42
15P	35.56	38.54	36.96
16P	38.10	41.08	39.50
17P	40.64	43.62	42.04
18P	43.18	46.16	44.58
19P	45.72	48.70	47.12
20P	48.26	51.24	49.66



Suitable for JCTC 12543 series terminal

Part No.	Material	Color
12543H00-NPA	Nylon66,UL 94V-0	黑色
12543H00-NPB	Nylon66,UL 94V-0	棕色
12543H00-NPK	Nylon66,UL 94V-0	白色
12543H00-NPM	Nylon66,UL 94V-0	米黄色(无油)
12543H00-NPG	Nylon66,UL 94V-0	蓝色
12543H00-NPB-AM	Nylon66,UL 94V-0	粉红色
12543H00-NPA-HF	Nylon66,UL 94V-0	黑色无油
12543H00-NPB-HF	Nylon66,UL 94V-0	棕色无油
12543H00-NPK-HF	Nylon66,UL 94V-0	白色无油
12543H00-NPJ-HF	Nylon66,UL 94V-0	浅灰色无油
12543H00-NPM-HF	Nylon66,UL 94V-0	米黄色无油



REV.	REVISION RECORD	DATE	GENERAL TOLERANCES	SCALE:	NAME	DATE	PART. NO:	DWG. NO:
C5	HN1206010039	12. 06. 01	L INEAR	1:1			12543H00-NPX-XX	ENDE05
C6	HN1509180150	15. 09. 18	0. 0±0. 25	APPROVED				
D0	增加黑色规格	16. 10. 31	X° REF±6°	DESIGNER				
D1	HR2004270079	20. 04. 27	0. 00±0. 15	DRAWN	伍文聪	20. 04. 27	TITLE: 2. 54mm PITCH HOUSING	REV: D1 SHEET: 1/1

