

1 2 3 4 5 6 7 8

A

B

C

D

E

F

G

H

A

B

C

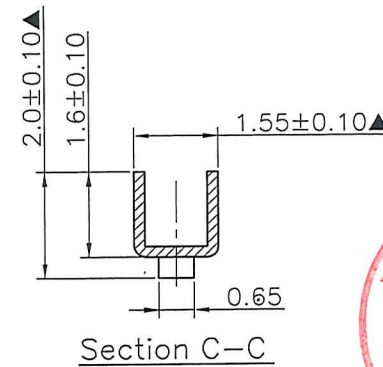
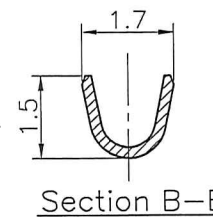
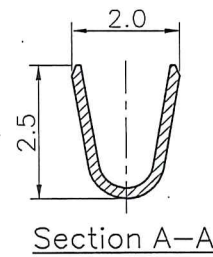
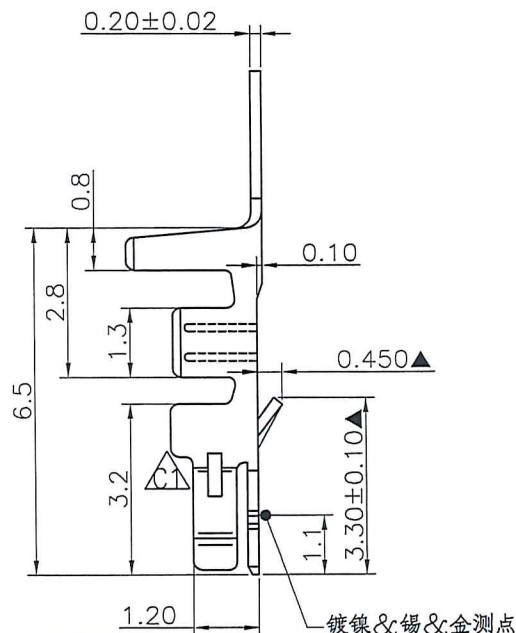
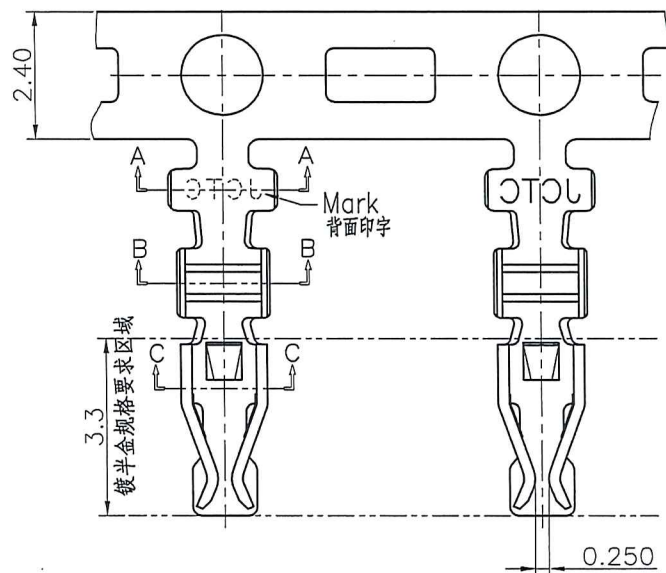
D

E

F

G

H



Specification & Ordering Information:



Part No	Wire Range	Insulation O.D.	Material	Finish	Qty/reel	Note
12002TOP-2E	AWG #28~#24	0.90-1.50mm	Phosphor Bronze	Tin-plated 60μ"Min	1,0000 PCS	plating after Stamping
12002TOP-0A	AWG #28~#24	0.90-1.50mm	Phosphor Bronze	Gold-flash	1,0000 PCS	plating after Stamping
12002TOP-0C	AWG #28~#24	0.90-1.50mm	Phosphor Bronze	Gold-plated 3u"	1,0000 PCS	plating after Stamping
12002TOP-0G	AWG #28~#24	0.90-1.50mm	Phosphor Bronze	Gold-plated 15u"	1,0000 PCS	plating after Stamping
12002TOP-0H	AWG #28~#24	0.90-1.50mm	Phosphor Bronze	Gold-plated 30u"	1,0000 PCS	plating after Stamping

The product using material and processing must conform to the "WI-PZ-142"HSF technical standard control requirements



REV.	REVISION RECORD	DATE	GENERAL TOLERANCES		SCALE	NAME	DATE	PART NO.	DWG NO.	 JCTC [®] TERMINAL&CONNECTORS
C5	新增"OH"规格	2014.06.26		LINEAR	1:1	APPROVED <i>Nelson</i>	23.01.31	12002TOP-XX-XX	ENDE05	
C6	依JST修正Insulation O.D.	2014.09.19		0.0±0.25	ANGLES					
D0	更新图框	2021.11.25	UNIT: MM	0.00±0.15	X° ±3°	<i>MM</i>	23.01.31	TITLE	PHD2.0端子	
D1	依ECN20230131360 A1处	2023.01.31	SIZE: A4	0.000±0.08	X° X' ±2°	DRAWN	BWK	2023.01.31		

1 2 3 4 5 6 7 8