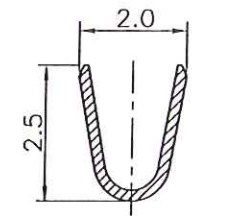
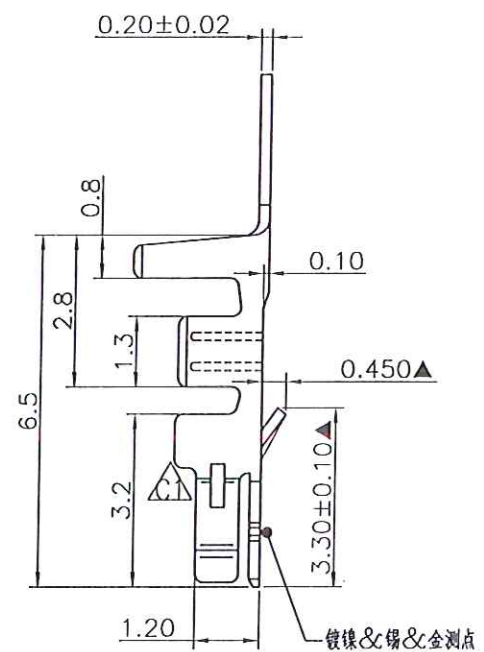
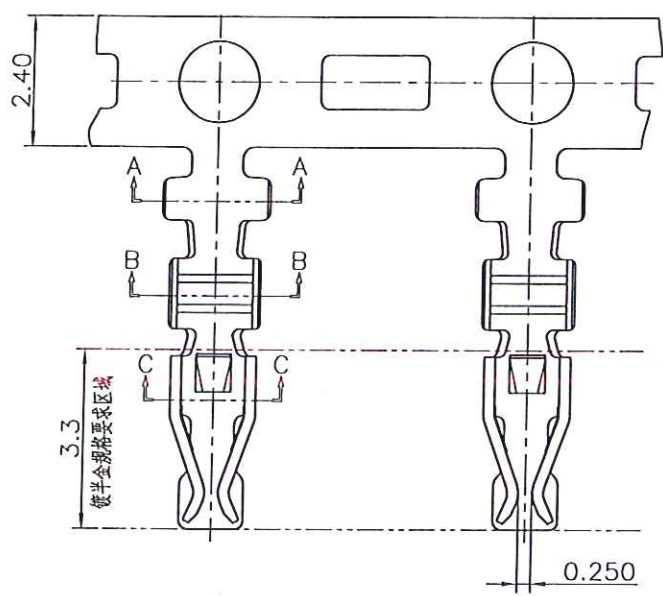


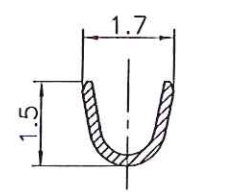
1 2 3 4 5 6 7 8

A  
B  
C  
D  
E  
F

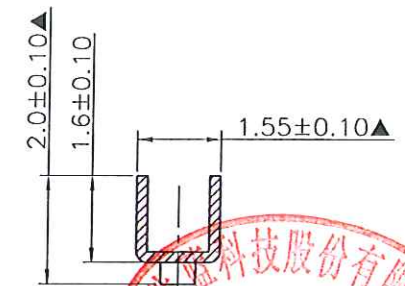
A  
B  
C  
D  
E  
F



Section A-A



Section B-B



Section C-C

12002TOP-XX-NK

Mark  
NK:No Mark



Specification & Ordering Information:

Part No	Wire Range	Insulation O.D.	Material	Finish	Qty/reel	Note
12002TOP-2E-NK	AWG #24~#28	1.50mm(max)	Phosphor Bronze	Tin-plated 60μ"Min	1,0000 PCS	plating after Stamping
12002TOP-0A-NK	AWG #24~#28	1.50mm(max)	Phosphor Bronze	Gold-flash	1,0000 PCS	plating after Stamping
12002TOP-0C-NK	AWG #24~#28	1.50mm(max)	Phosphor Bronze	Gold-plated 3u"	1,0000 PCS	plating after Stamping
12002TOP-0G-NK	AWG #24~#28	1.50mm(max)	Phosphor Bronze	Gold-plated 15u"	1,0000 PCS	plating after Stamping

The product using material and processing must conform to the "WI-PZ-142"HSF technical standard control requirements

REV.	REVISION RECORD	DATE	UNIT	SIZE	GENERAL TOLERANCES	SCALE:	NAME	DATE	PART. NO.:	DWG. NO.:	 <b>TERMINAL&amp;CONNECTORS</b>
C3	新增镀半金3u"规格	13. 12. 06			LINEAR	1:1			12002TOP-XX-NK	ENDE05	
C4	TN1404170045	14. 04. 17			0.0±0.25	APPROVED	张振坤	20.11.9			
C5	依JST修正Insulation O.D.	14. 09. 19	MM	A4	X° REF±6°	DESIGNER	张振坤	20.11.09			
C6	换图框发行	20. 11. 09			X° ±3°	DRAWN	张振坤	20. 11. 09			
					X° X'±2°				TITLE: PHD2.0端子		

1 2 3 4 5 6 7 8

H

H

REV: C6 SHEET: 1/1