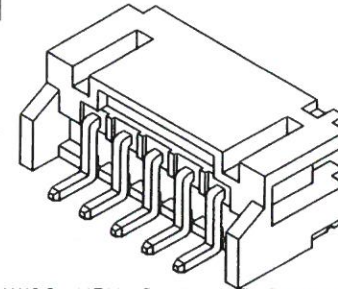
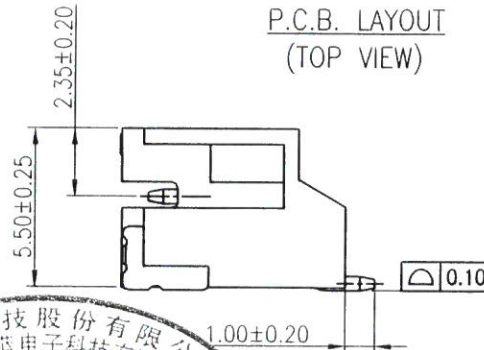
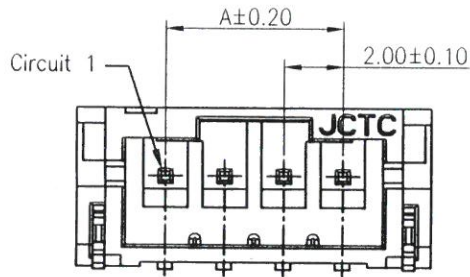


Specifications:
 Rated Voltage : 100V AC/DC
 Rated Current : 2A AC,DC
 Withstand Voltage : 800V AC/minute
 Contact Resistance : 10mΩ(Max.)
 Insulation Resistance : 1000MΩ(Min.)
 The product using material and processing must conform to the "WI-PZ-142"HSF technical standard control requirements

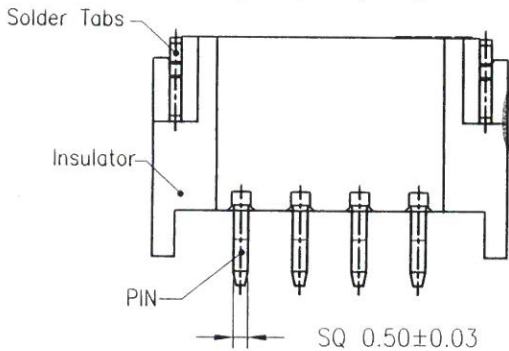


PART NO.	Dimensions	
	A	B
2P	--	8.00
3P	4.00	10.00
4P	6.00	12.00
5P	8.00	14.00
6P	10.00	16.00
7P	12.00	18.00
8P	14.00	20.00
9P	16.00	22.00
10P	18.00	24.00
11P	20.00	26.00
12P	22.00	28.00
13P	24.00	30.00
14P	26.00	32.00
15P	28.00	34.00
16P	30.00	36.00



12001W90-NPX-S-XX-HF-R

- ① Series No.
- ② W90 : Side Contact
W00 : Up Contact
- ③ No. of Circuits
- ④ X: Product color (A--Y)
A: Black B: Natural
- ⑤ S: SMT Type
- ⑥ XX : PIN Plated
- ⑦ HF: Halogen Free
- ⑧ R : Tape & Reel(Without Cap or Mylar)

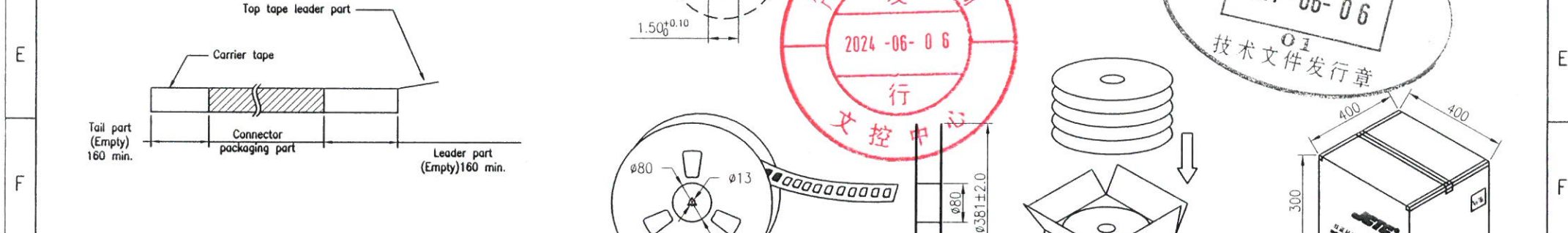
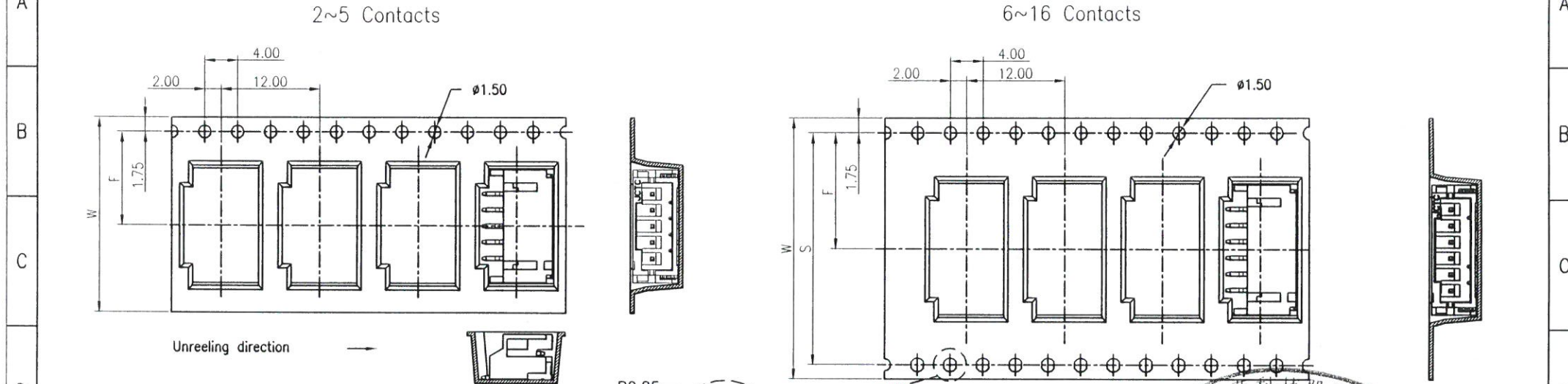


Part No.	Material	Color	PIN Material	Solder Tabs	Temperature Range
12001W90-NP-S-R	High temperature plastic, UL94V-0	Natural (Beige)	Brass/Tin-plated	Brass/Tin-plated	-25° C~+85° C
12001W90-NP-S-3E-R	High temperature plastic, UL94V-0	Natural (Beige)	Brass/Matte Tin-plated	Brass/Tin-plated	-25° C~+85° C
12001W90-NP-S-HF-R	High temperature plastic, UL94V-0	Natural (Beige)	Brass/Tin-plated	Brass/Tin-plated	-25° C~+85° C
12001W90-NP-S-5A-HF-R	High temperature plastic, UL94V-0	Natural (Beige)	Brass/Gold-plated	Brass/Tin-plated	-25° C~+85° C
12001W90-NPA-S-HF-R	High temperature plastic, UL94V-0	Black	Brass/Tin-plated	Brass/Tin-plated	-25° C~+85° C
① 12001W90-NP-S-H3-HF-R	High temperature plastic, UL94V-0	Natural (Beige)	Brass/Tin-plated	Brass/Tin-plated	-40° C~+105° C

REV.	REVISION RECORD	DATE	GENERAL TOLERANCES	SCALE 1:1	NAME	DATE	PART NO.	DWG NO.	
C0	The new version file were released	2024.05.15	LINEAR	APPROVED	MM	24.06.05	12001W90-NPX-S-XX	ENDE05	
C4	WN2010230301	2020.10.23	ANGLES	DESIGNER	SP penb	24.06.05			
C5	WN2105180127	2021.05.18	0.0 ± 0.25 X° REF ± 6°	DRAWN	Noah	24.06.03			
C6	YB202404080009	2024.06.03	0.00 ± 0.15 X° ± 3°	TITLE		2.00mm PITCH 90° SMT TYPE WAFER			
			0.000 ± 0.08 X° X' ± 2°	REV	C6	SHEET	1/2		

1 2 3 4 5 6 7 8

A 2~5 Contacts 6~16 Contacts A



Number of Contacts	W±0.3	F±0.1	S±0.1	Pcs/Reel	Pcs/Box
2~5P	24	11.50	--	1,000	10,000
6~8P	32	14.20	28.40	1,000	8,000
9~12P	44	20.20	40.40	1,000	6,000
13~16P	56	26.20	52.40	1,000	5,000

REV.	REVISION RECORD	DATE	GENERAL TOLERANCES	SCALE 1:1	NAME	DATE	PART NO.	DWG NO.
C0	The new version file were released	2024.05.15	LINEAR	APPROVED	YML	24.06.05	12001W90-NPX-S-XX	ENDE05
C4	WN2010230301	2020.10.23	0.0±0.25	DESIGNER	SP Peng	24.06.05		
C5	WN2105180127	2021.05.18	0.00±0.15	DRAWN	Noah	24.06.03		
C6	YB202404080009	2024.06.03	0.000±0.08	TITLE 2.00mm PITCH 90° SMT TYPE WAFER				

JCTC®

REV	C6	SHEET	2/2
-----	----	-------	-----

1 2 3 4 5 6 7 8