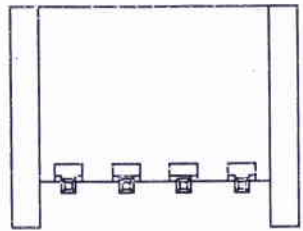
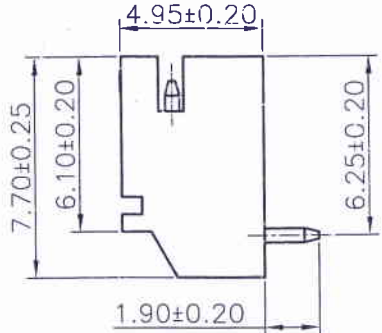
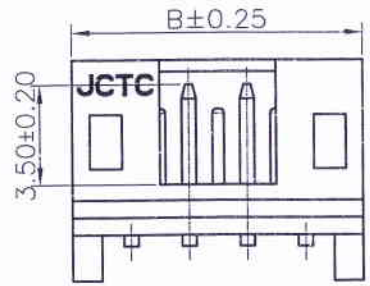
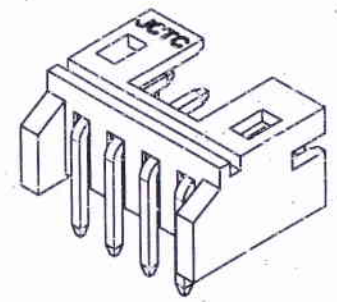
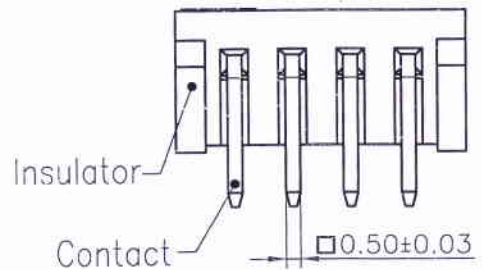


Specifications:
 Rated Voltage : 100V AC/DC
 Rated Current : 2A AC,DC
 Withstand Voltage : 800V AC/minute
 Contact Resistance : 10mΩ(MAX.)
 Insulation Resistance : 1000MΩ(MIN.)
 Temperature Range : -25°C~+85°C
 The product using material and processing must conform to the "WI-PZ-142" HSF technical standard control requirements



Circuits	Dimensions	
	A	B
2P	--	6.00
3P	4.00	8.00
4P	6.00	10.00
5P	8.00	12.00
6P	10.00	14.00
7P	12.00	16.00
8P	14.00	18.00
9P	16.00	20.00
10P	18.00	22.00
11P	20.00	24.00
12P	22.00	26.00
13P	24.00	28.00
14P	26.00	30.00
15P	28.00	32.00
16P	30.00	34.00



12001W90-NPX-S5-HF
 ① ② ③ ④ ⑤ ⑥

- ① Series No.
- ② W90 : Side Contact
W00 : Up Contact
- ③ No. of Circuits
- ④ X : Product color(A--Y)
- ⑤ S5 : S5 Type
- ⑥ HF : Halogen Free



Part No.	Insulator	Color	PIN Material
12001W90-NP-S5-HF	Nylon 66,UL94V-0	Natural(White)	Brass/Tin-plated

REV.	REVISION RECORD	DATE	GENERAL TOLERANCES	SCALE:	NAME	DATE	PART NO: 12001W90-NP-S5-HF
AO	新图面发行	19.06.21	L: 0.0±0.25	1:1	APPROVED	19.06.21	
			ANGLES: X° REF±6°		DESIGNER		
			UNIT: MM 0.00±0.15		DRAWN	19.06.21	REV: AO
			SIZE: A4 0.000±0.08				SHEET: 1/1

JCTC 胜蓝科技股份有限公司
 TERMINAL & CONNECTORS 东莞市富智达电子科技有限公司
 TITLE: 2.00mm PITCH DIP TYPE 90° WAFER
 针长外露1.9mm/无外K