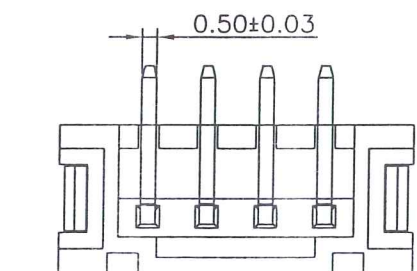
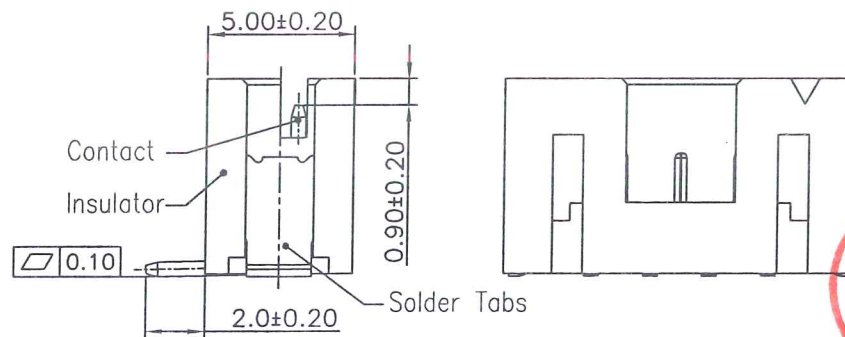
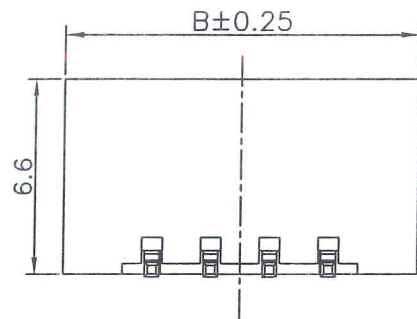
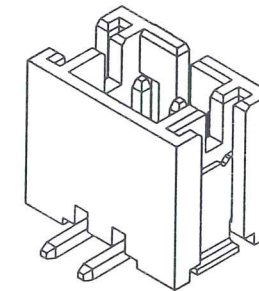


Specifications:
 Rated Voltage : 100V AC/DC
 Rated Current : 2A AC,DC
 Withstand Voltage : 800V AC/minute
 Contact Resistance : 10mΩ(MAX.)
 Insulation Resistance : 1000MΩ(MIN.)
 Temperature Range : -25°C~+85°C
 Cap: Thermal Plasticity Resin,UL94V-0
 The product using material and processing must conform to the "WI-PZ-142"HSF technical standard control requirements



- 12001W00-NPA-S-XX-HF-R2
 ① ② ③④⑤⑥ ⑦ ⑧
- ① Series No.
 - ② W90 : Side Contact
W00 : Up Contact
 - ③ No. of Circuits
 - ④ A: Black
 - ⑤ S: SMT Type
 - ⑥ H1: H1 Type
5A: Gold-flash 3E: Matte-Tin
 - ⑦ HF: Halogen Free
 - ⑧ R2: Tape & Reel(without Cap)



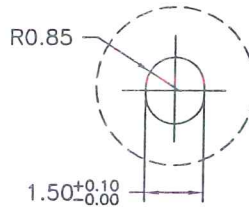
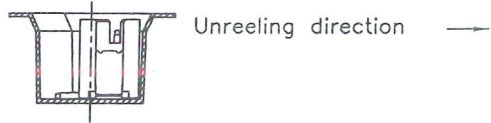
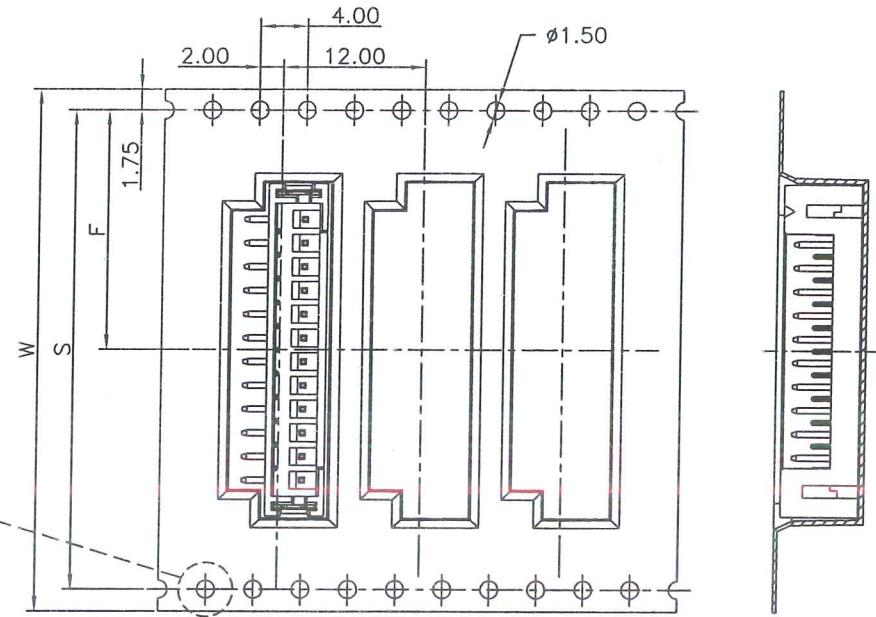
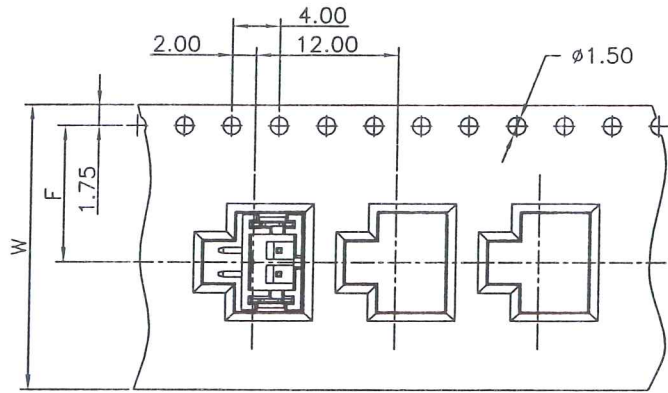
PART NO.	Dimensions	
	A	B
2P	--	8.00
3P	4.00	10.00
4P	6.00	12.00
5P	8.00	14.00
6P	10.00	16.00
7P	12.00	18.00
8P	14.00	20.00
9P	16.00	22.00
10P	18.00	24.00
11P	20.00	26.00
12P	22.00	28.00
13P	24.00	30.00
14P	26.00	32.00
15P	28.00	34.00
16P	30.00	36.00

Part No.	Material	Color	PIN Material	Solder Tabs
12001W00-NP-S-R2	Nylon 6T,UL94V-0	Natural(Beige)	Brass/Tin-plated	Brass/Tin-plated
12001W00-NP-S-HF-R2	LCP,UL94V-0	Natural(Beige)	Brass/Tin-plated	Brass/Tin-plated
12001W00-NPG-S-HF-R2	High temperature plastic,UL94V-0	Blue	Brass/Tin-plated	Brass/Tin-plated
12001W00-NPC-S-HF-R2	High temperature plastic,UL94V-0	Red	Brass/Tin-plated	Brass/Tin-plated
12001W00-NP-S-5A-HF-R2	LCP,UL94V-0	Natural(Beige)	Brass/Gold-flash	Brass/Tin-plated
12001W00-NP-S-3E-HF-R2	LCP,UL94V-0	Natural(Beige)	Brass/Matte-Tin	Brass/Matte-Tin
12001W00-NPA-S-H1-HF-R2	HTN,UL94V-0	Black	Brass/Tin-plated	Brass/Tin-plated

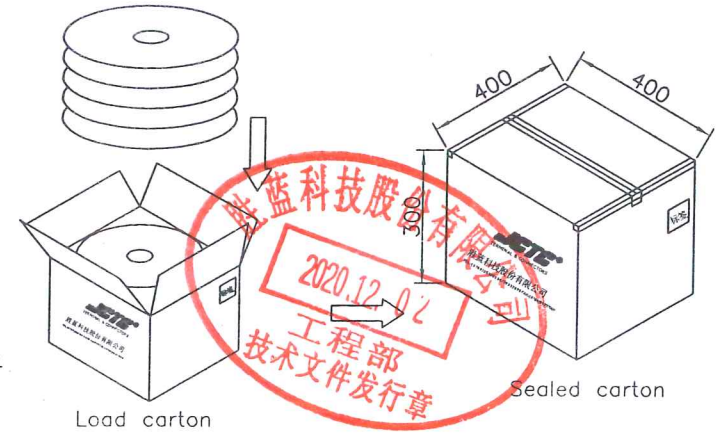
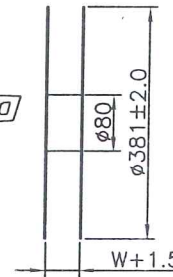
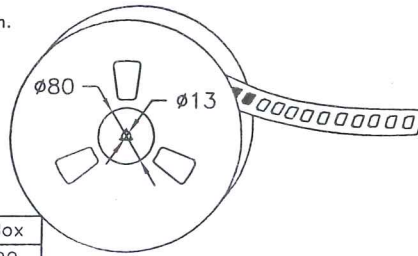
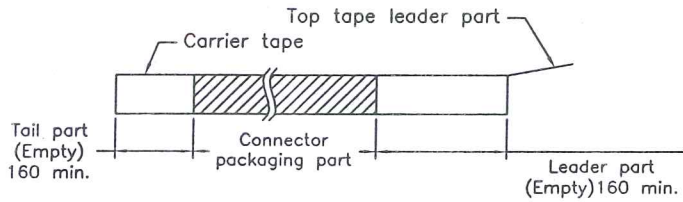
REV.	REVISION RECORD	DATE	GENERAL TOLERANCES	SCALE:	NAME	DATE	PART. NO.:	DWG. NO.:	 TERMINAL&CONNECTORS
A0	新版发行	19.06.12	LINEAR	1:1			12001W00-NP-S-XX-R2	ENDE05	
A1	WN1907310170	19.07.12	0.0±0.25	APPROVED:	张振坤	20.12.01	TITLE: PH 2.00mm PITCH WAFER-SMT TYPE 无盖子	REV: A2	
A2	换图框发行	20.12.01	0.00±0.15	DESIGNER:	张振坤	20.12.01			
			0.000±0.08	DRAWN:	张振坤	20.12.01			
			ANGLES					SHEET: 1/2	

2~5 Contacts

6~16 Contacts



Unreeing direction →



Number of Contacts	W±0.3	F±0.1	S±0.1	Pcs/Reel	Pcs/Box
2P~5P	24	11.50		1,000	10,000
6P~8P	32	14.20	28.40	1,000	8,000
9P~12P	44	20.20	40.40	1,000	6,000
13P~16P	56	26.20	52.40	1,000	5,000

REV.	REVISION RECORD	DATE	UNIT	GENERAL TOLERANCES	SCALE:	NAME	DATE	PART. NO.:	DWG. NO.:	 TERMINAL&CONNECTORS
A0	新图面发行	19.06.12	MM	LINEAR	1:1			12001W00-NP-S-XX-R2	ENDE05	
A1	WN1907310170	19.07.12	MM	0.0±0.25	APPROVED	张振坤	20.12.01			
A2	换图框发行	20.12.01	MM	0.00±0.15	DESIGNER	张振坤	20.12.01	TITLE:		
			MM	0.000±0.08	DRAWN	张振坤	20.12.01	PH 2.00mm PITCH WAFER-SMT TYPE 无盖子		
			A4	X° REF±6°						REV: A2
				X° ±3°						SHEET: 2/2
				X° X'±2°						

蓝科技股份有限公司
2020.12.02
工程部
技术文件发行章