

Specifications:
 Voltage Rating : 50V AC/DC
 Current Rating : 1A AC,DC
 Withstand Voltage : 500V AC/minute
 Contact Resistance : 20mΩ(MAX.)
 Insulation Resistance : 500MΩ(MIN.)
 Temperature Range : -25°C~+85°C
 The product using material and processing must conform to the "WI-PZ-142"HSF technical standard control requirements

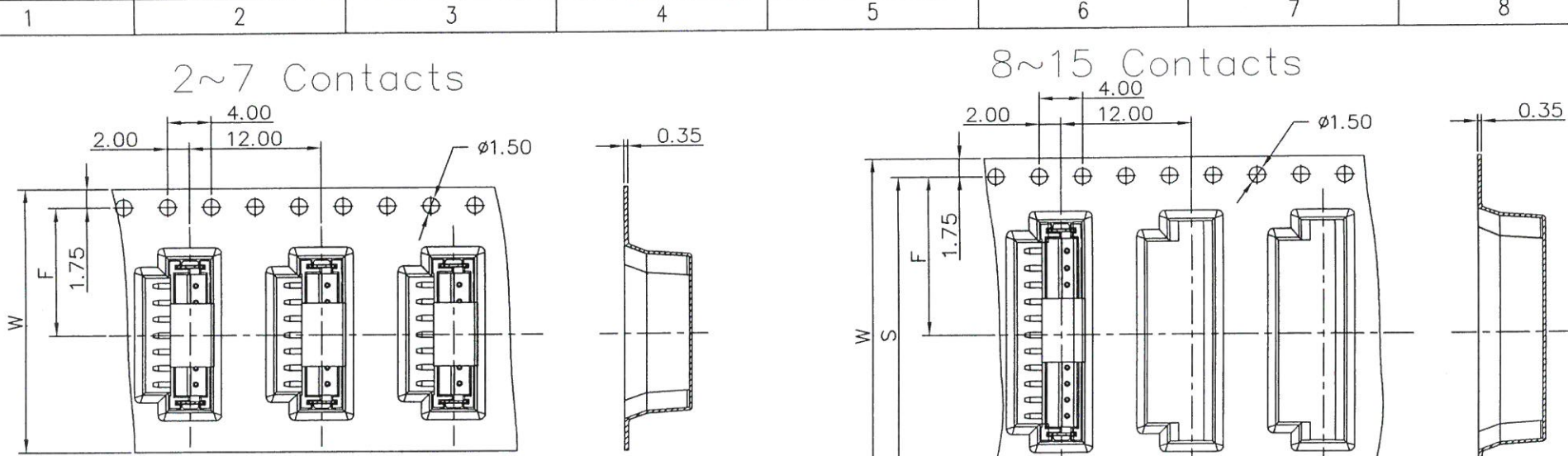


11501W00-NP-S-HF-NK
 ① ② ③ ④ ⑤ ⑥ ⑦ ⑧ ⑨ ⑩ ⑪ ⑫ ⑬ ⑭ ⑮
 Series No.
 W90 : Side Contact
 W00 : Up Contact
 No. of Circuits
 S: SMT type
 HF: Halogen Free
 NK: No Mark

Circuits	Dimensions	
	A	B
2P	---	6.00
3P	3.00	7.50
4P	4.50	9.00
5P	6.00	10.50
6P	7.50	12.00
7P	9.00	13.50
8P	10.50	15.00
9P	12.00	16.50
10P	13.50	18.00
11P	15.00	19.50
12P	16.50	21.00
13P	18.00	22.50
14P	19.50	24.00
15P	21.00	25.50

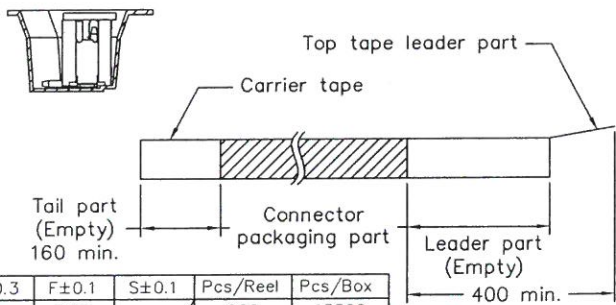
Part No.	Material	Color	Pin Material	Solder Tabs
11501W00-NP-S-NK	High temperature plastic,UL94V-0	Natural(Beige)	Brass/Matte Tin-plated	Brass/Matte Tin-plated
11501W00-NP-S-HF-NK	High temperature plastic,UL94V-0	Natural(Beige)	Brass/Matte Tin-plated	Brass/Matte Tin-plated
11501W00-NPA-S-HF-NK	High temperature plastic,UL94V-0	Natural(Black)	Brass/Matte Tin-plated	Brass/Matte Tin-plated

REV.	REVISION RECORD	DATE	GENERAL TOLERANCES	SCALE	NAME	DATE	PART NO.	DWG NO.	
A0	新图面发行	22.07.05	LINEAR	1:1			11501W00-NP-S-HF-NK	ENDE05	
A1	依YB20230630006新增规格	23.07.13	ANGLES	APPROVED	赵松	23.07.13	TITLE		
			0.0±0.25	DESIGNER			1.50mm PITCH 180° SMT WAFER		
			X° REF±6°	DRAWN	Hui	2023.07.13	REV	A1	

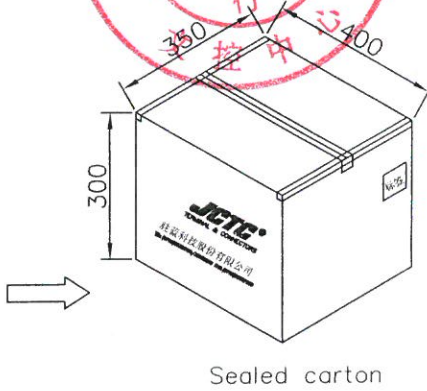
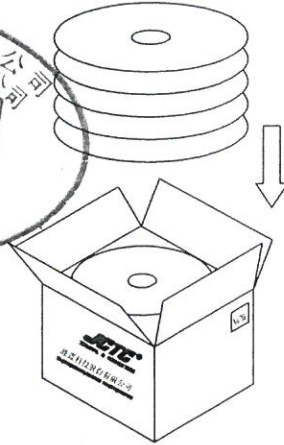
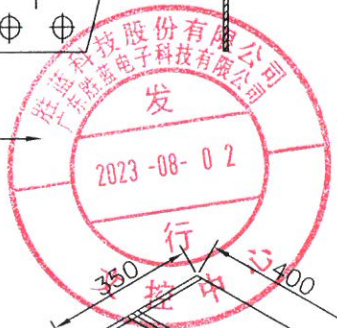
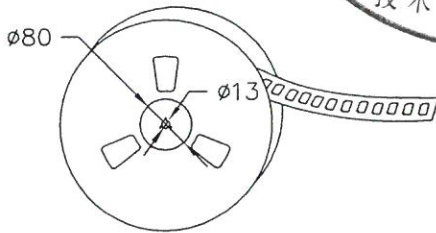


Unreeling direction →

Unreeling direction →



Number of Contacts	W±0.3	F±0.1	S±0.1	Pcs/Reel	Pcs/Box
2P	16	7.50		900	13500
3P	24	11.50		900	9000
4P	24	11.50		900	9000
5P	24	11.50		900	9000
6P	24	11.50		900	9000
7P	24	11.50		900	9000
8P	32	14.20	28.40	900	7200
9P	32	14.20	28.40	900	7200
10P	32	14.20	28.40	900	7200
11P	32	14.20	28.40	900	7200
12P	44	20.20	40.40	900	5400
13P	44	20.20	40.40	900	5400
14P	44	20.20	40.40	900	5400
15P	44	20.20	40.40	900	5400



REV.	REVISION RECORD	DATE	GENERAL TOLERANCES		SCALE	NAME	DATE	PART NO.	DWG NO.				
AO	新图面发行	22.07.05		LINEAR	1:1			11501W00-NP-S-HF-NK	ENDE05				
A1	依YB20230630006新增规格	23.07.13		0.0±0.25	ANGLES	APPROVED	23.07.13			TITLE 1.50mm PITCH 180° SMT WAFER			
			UNIT: MM	0.00±0.15	X° REF±6°	DESIGNER					REV	A1	SHEET
			SIZE: A4	0.000±0.08	X° X'±2°	DRAWN	Hui	2023.07.13					