

Specifications:

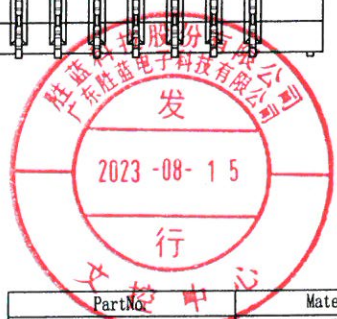
Voltage Rating : 50V AC/DC
 Current Rating : 1A AC,DC
 Withstand Voltage : 500V AC/minute
 Contact Resistance : 30mΩ(MAX.)
 Insulation Resistance : 100MΩ(MIN.)
 Temperature Range : -25° C~+85° C
 Contact: Brass/Nickel underplating, overall, Bright Tin-plated.

The product using material and processing must conform to the "WI-PZ-142" HSF technical standard control requirements.

11257W90-NP-S-XX-XX-HF-R
 ① ② ③ ④ ⑤ ⑥ ⑦ ⑧

① Series No.
 ② W90 : Side Contact
 W00 : Up Contact
 ③ No. of Circuits
 ④ S : SMT Type
 ⑤ H2: H2 Type
 ⑥ 3E: Matte Tin-plated
 5A: Gold Flash
 ⑦ HF: Halogen Free
 ⑧ R : Reel pack

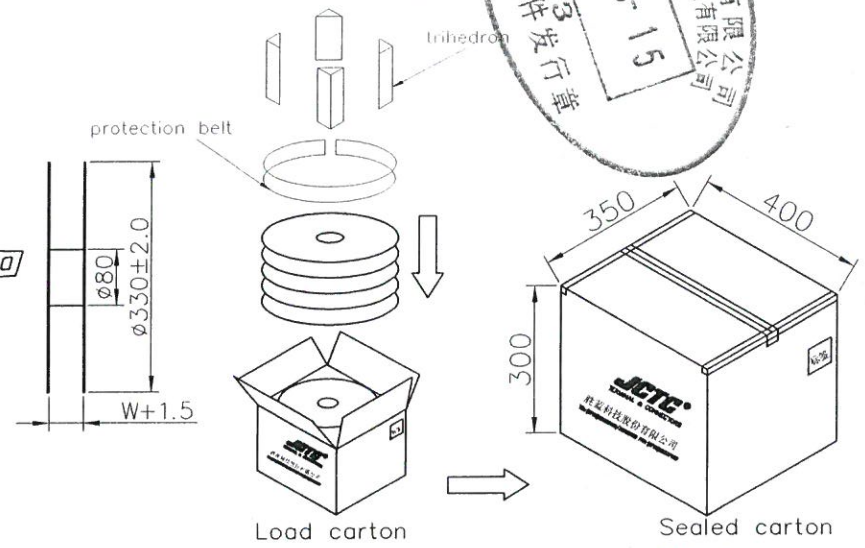
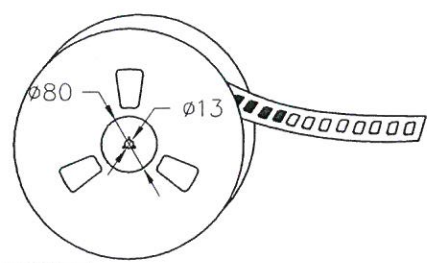
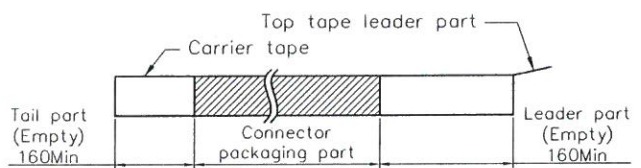
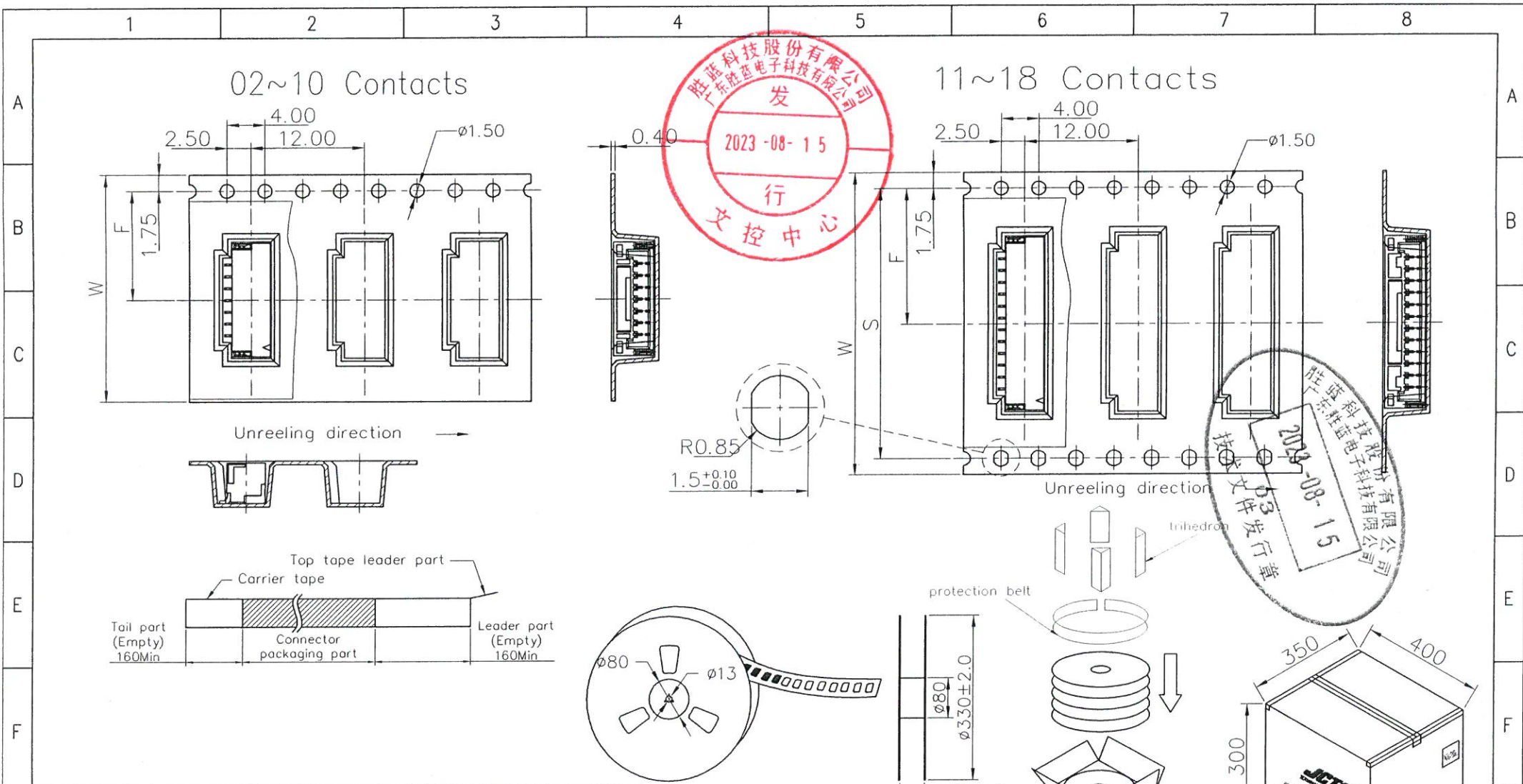
| Circuits Part No | Dimensions | | |
|------------------|------------|-------|------|
| | A | B | C |
| 2P | — | 5.75 | 2.05 |
| 3P | 2.50 | 7.00 | 3.30 |
| 4P | 3.75 | 8.25 | 4.50 |
| 5P | 5.00 | 9.50 | |
| 6P | 6.25 | 10.75 | 6.70 |
| 7P | 7.50 | 12.00 | |
| 8P | 8.75 | 13.25 | |
| 9P | 10.00 | 14.50 | 8.65 |
| 10P | 11.25 | 15.75 | |
| 11P | 12.50 | 17.00 | |
| 12P | 13.75 | 18.25 | |
| 13P | 15.00 | 19.50 | 8.65 |
| 14P | 16.25 | 20.75 | |
| 15P | 17.50 | 22.00 | |
| 16P | 18.75 | 23.25 | |
| 17P | 20.00 | 24.50 | |
| 18P | 21.25 | 25.75 | |



| Part No. | Material | Pin Material | Solder Tabs | Color |
|--------------------------|--------------------|----------------------------------|-------------------------|-----------------|
| 11257W90-NP-S-R | Nylon 6T, UL94V-0 | Phosphor Bronze/Tin-plated | Brass/Tin-plated | Natural (Beige) |
| 11257W90-NP-S-HF-R | LCP, UL94V-0 | Phosphor Bronze/Tin-plated | Brass/Tin-plated | Natural (Beige) |
| 11257W90-NPA-S-HF-R | LCP, UL94V-0 | Phosphor Bronze/Tin-plated | Brass/Tin-plated | Black |
| 11257W90-NPC-S-HF-R | Nylon 10T, UL94V-0 | Phosphor Bronze/Tin-plated | Brass/Tin-plated | Red |
| 11257W90-NP-S-3E-HF-R | LCP, UL94V-0 | Phosphor Bronze/Matte Tin-plated | Brass/ Matte Tin-plated | Natural (Beige) |
| 11257W90-NP-S-H2-5A-HF-R | LCP, UL94V-0 | Phosphor Bronze/Gold Flash | Brass/ Matte Tin-plated | Natural (Beige) |
| 11257W90-NP-S-5A-HF-R | LCP, UL94V-0 | Phosphor Bronze/Gold Flash | Brass/ Gold-flash | Natural (Beige) |

| REV. | REVISION RECORD | DATE | GENERAL TOLERANCES | | SCALE | NAME | DATE | PART NO. | DWG NO. |
|------|------------------------|--------------|--------------------|------------|-----------|----------|------------|----------|----------------------------|
| D1 | 依ECN20221207298设定 | 2022. 12. 07 | ⌀ | LINEAR | 1:1 | VM | 2023.08.15 | | |
| D2 | 依PBJOA202205100006新增规格 | 2023. 02. 17 | | | ANGLES | | | | |
| D3 | 依YB20230223007新增规格 | 2023. 05. 09 | UNIT: MM | 0.00±0.15 | X° REF±6° | DESIGNER | | TITLE | 1.25mm PITCH 90° SMT WAFER |
| D4 | ECR20230731800 | 2023. 07. 31 | SIZE: A4 | 0.000±0.08 | X° X'±2° | DRAWN | Noah | | |

| | | | |
|--------------|----|-------|-----|
| JCTC® | | | |
| REV | D4 | SHEET | 1/2 |



| Number of Contacts | W±0.3 | F±0.1 | S±0.1 | PCS/Reel | PCS/Box |
|--------------------|-------|-------|-------|----------|---------|
| 2~4P | 16 | 7.50 | / | 1,000 | 14,000 |
| 5~10P | 24 | 11.50 | | 1,000 | 10,000 |
| 11~16P | 32 | 14.20 | 28.40 | 1,000 | 8,000 |
| 17~18P | 44 | 22.20 | 40.40 | 1,000 | 6,000 |

| REV. | REVISION RECORD | DATE | GENERAL TOLERANCES | | SCALE | NAME | DATE | PART NO. | DWG NO. | | | | |
|------|------------------------|------------|--------------------|------------|-----------|----------|----------|----------------------------|---------|----------|--|--|--|
| D1 | 依ECN20221207298设变 | 2022.12.07 | ⊕ | LINEAR | 1:1 | MM | 23.08.15 | 11257W90-NP-S-XX | ENDE05 | | | | |
| D2 | 依PBJOA202205100006新增规格 | 2023.02.17 | | 0.0±0.25 | ANGLES | | | | | | | | |
| D3 | 依YB20230223007新增规格 | 2023.05.09 | UNIT: MM | 0.00±0.15 | X° ±3° | DESIGNER | TITLE | 1.25mm PITCH 90° SMT WAFER | | | | | |
| D4 | ECR20230731800 | 2023.07.31 | SIZE: A4 | 0.000±0.08 | X° X' ±2° | DRAWN | | | Noah | 23.07.31 | | | |