

11257H00-NPX-L-HF
① ② ③④⑤ ⑥

- ① Series No.
- ② H90 : Side Contact
H00 : Up Contact
- ③ No. of Circuits
- ④ X : color(see the table2)
- ⑤ L : Mount type
- ⑥ HF : Halogen Free
Blank : RoHS2.0

Specifications:
Voltage Rating : 50V AC/DC
Current Rating : 1A AC,DC
Withstand Voltage : 500V AC/minute
Contact Resistance : 30mΩ(MAX.)
Insulation Resistance : 100MΩ(MIN.)
Temperature Range : -25°C~+105°C
The product using material and processing must conform to the "WI-PZ-142" HSF technical standard control requirements

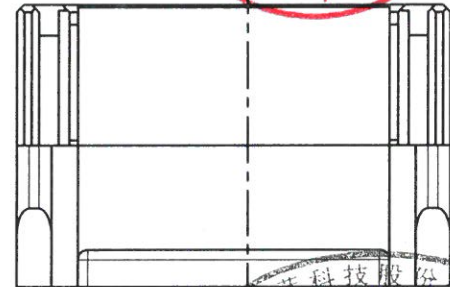
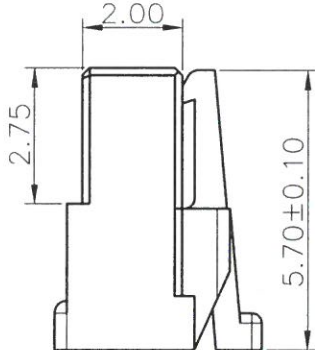
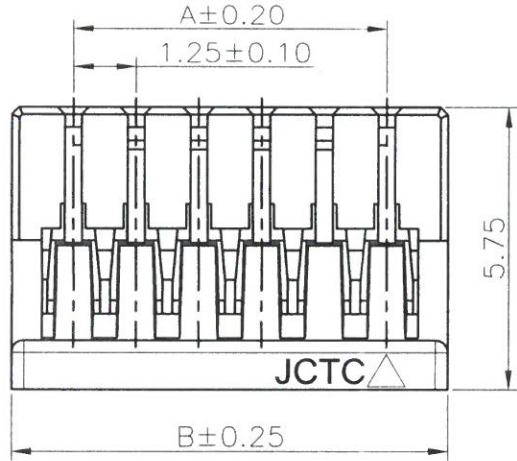
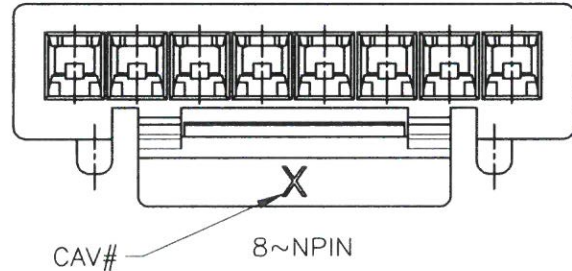
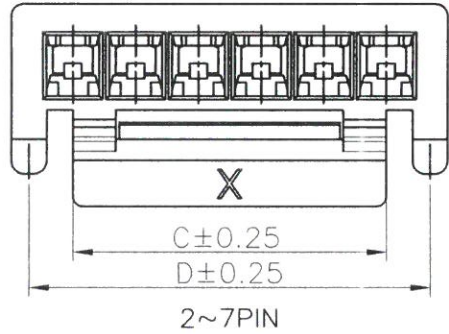


table1:

Circuits Part No	Dimensions			
	A	B	C	D
2P	--	3.65	1.95	3.20
3P	2.50	4.90	3.00	4.20
4P	3.75	6.15	4.25	5.45
5P	5.00	7.40	4.25	6.70
6P	6.25	8.65	6.25	8.00
7P	7.50	9.90	6.25	9.25
8P	8.75	11.15	6.25	8.00
9P	10.00	12.40	6.25	8.00
10P	11.25	13.65	8.25	10.00
11P	12.50	14.90	8.25	10.00
12P	13.75	16.15	8.25	10.00
13P	15.00	17.40	8.25	10.00
14P	16.25	18.65	8.25	10.00
18P	17.50	19.90	8.25	10.00



Suitable for JCTC 11257 series terminal
table2:

Part No.	Material	Color
11257H00-NP-L	PBT,UL 94V-0	Natural(White)
11257H00-NPP-L-HF	Nylon 66,UL 94V-0	Blue
11257H00-NP-L-HF	Nylon 66,UL 94V-0	Natural(White)
11257H00-NPA-L-HF	Nylon 66,UL 94V-0	Black

REV.	REVISION RECORD	DATE	GENERAL TOLERANCES	SCALE 1:1	NAME	DATE	PART NO.	DWG NO.	JCTC®			
									LINEAR	ANGLES	APPROVED	DESIGNER
D4	HN2103010038	2021.03.01					11257H00-NP-L-XX	ENDE05	JCTC®			
D5	新增淡蓝色规格	2021.08.28	0.0±0.25	X° REF±6°								
D6	依ECN20230615528设变	2023.06.16	0.00±0.15	X° ±3°								
E0	ECN20240305846Update drawing	2024.03.05	0.000±0.08	X° X' ±2°								

REV	EO	SHEET	1/1