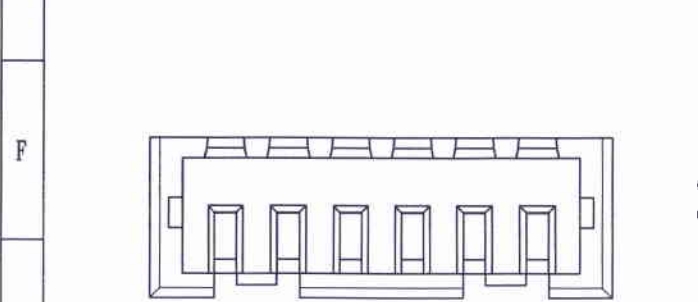
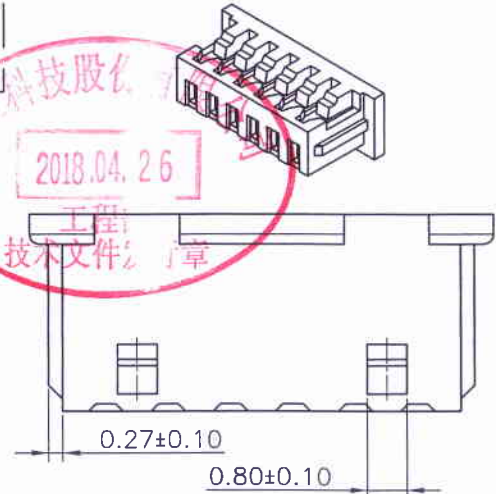
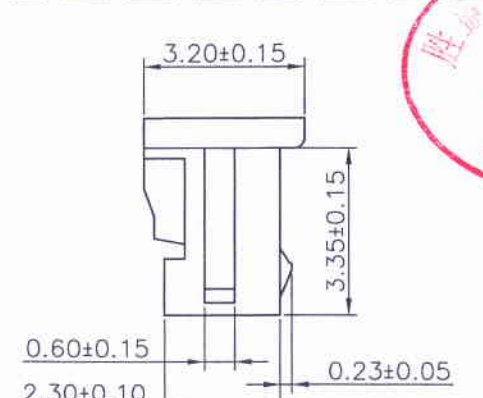
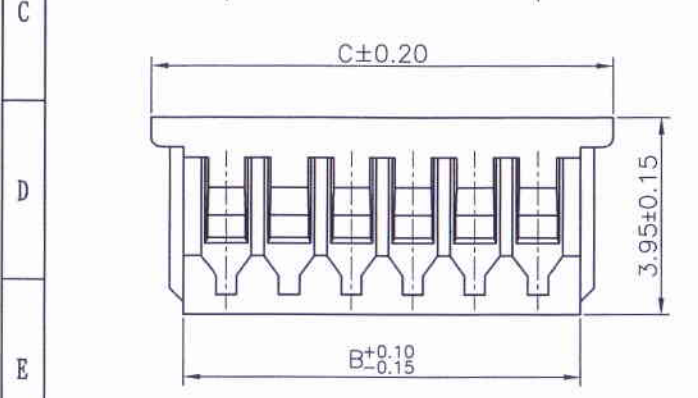


Specifications:  
 Rated Voltage : 125V AC/DC  
 Rated Current : 1A AC,DC  
 Withstand Voltage : 250V AC/minute  
 Contact Resistance : 20mΩ(MAX.)  
 Insulation Resistance : 100MΩ(MIN.)  
 Temperature Range : -40°C~+85°C  
 The product using material and processing must conform to the "WI-PZ-142"HSF technical standard control requirements

Dimensional Ordering Information:			
Part No	Dimensions		
	A	B	C
2P		3.00	4.25
3P	2.50	4.25	5.50
4P	3.75	5.50	6.75
5P	5.00	6.75	8.00
6P	6.25	8.00	9.25
7P	7.50	9.25	10.50
8P	8.75	10.50	11.75
9P	10.00	11.75	13.00
10P	11.25	13.00	14.25
11P	12.50	14.25	15.50
12P	13.75	15.50	16.75
13P	15.00	16.75	18.00
14P	16.25	18.00	19.25
15P	17.50	19.25	20.50
16P	18.75	20.50	21.75
17P	20.00	21.75	23.00
18P	21.25	23.00	24.25
19P	22.50	24.25	25.50
20P	23.75	25.50	26.75



Suitable for JCTC 11251 series terminal

Part No.	Material	Color
11251H00-NP	Nylon 66,UL94V-0	本色
11251H00-NP-NK	Nylon 66,UL94V-0	本色
11251H00-NP-PT	PBT,UL94V-0	本色
11251H00-NP-HF	Nylon 66,UL94V-0	本色
11251H00-NP-HF-NK	Nylon 66,UL94V-0	本色
11251H00-NPA	Nylon 66,UL94V-0	黑色
11251H00-NPA-NK	Nylon 66,UL94V-0	黑色
11251H00-NPA-HF	Nylon 66,UL94V-0	黑色无卤
11251H00-NPE	Nylon 66,UL94V-0	黄色
11251H00-NPE-NK	Nylon 66,UL94V-0	黄色

11251H00-NPX-XX-HF-NK

- ① Series No.
- ② H90 : Side Contact  
H00 : Up Contact
- ③ No. of Circuits
- ④ X : Product color(A--Y)  
Blank : Natural type
- ⑤ PT : PBT  
Blank : Nylon 66
- ⑥ HF : Halogen Free
- ⑦ NK : No Mark  
Blank : Mark

REV.	REVISION RECORD	DATE	GENERAL TOLERANCES	SCALE:	NAME	DATE	<b>JCTC</b> ® 胜蓝科技股份有限公司 TERMINAL&CONNECTORS 东莞市富智达电子科技有限公司 TITLE: MX 1.25mmPITCH HOUSING	PART. NO: 11251H00-NPX-XX-XX-XX DWG. NO: ENDE05 REV: C4 SHEET: 1/1
C1	整理图面	10.08.03	LINER	1:1				
C2	新增黑色无卤规格	10.10.25	0.0±0.25	APPROVED				
C3	更换公司名称	16.12.26	X° REF±6°	DESIGNER	18.04.25			
C4	依HN1804250063设变	18.04.25	0.00±0.15	DRAWN	罗春成	18.04.25		
			X° ±3°					
			0.000±0.08					
			X° X'±2°					