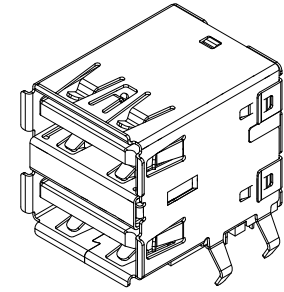
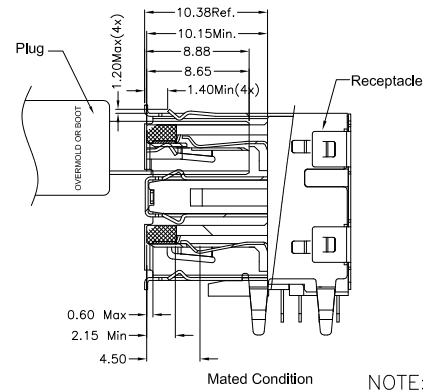
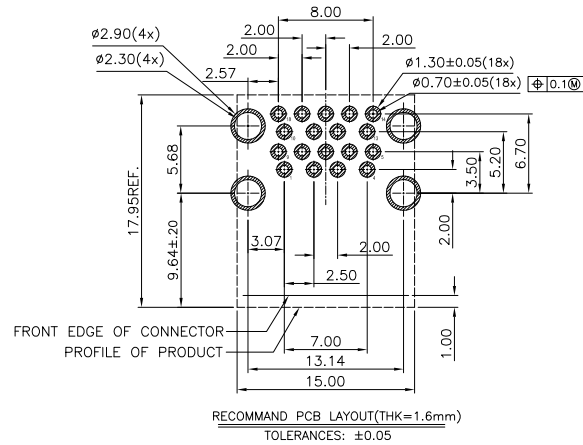
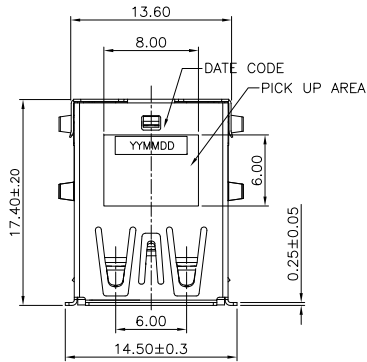


The product using material and processing must conform to the "WI-PZ-142" HSF technical standard control requirements

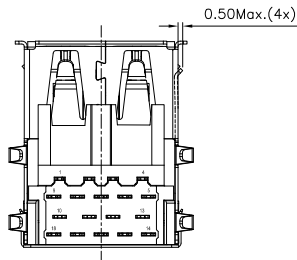
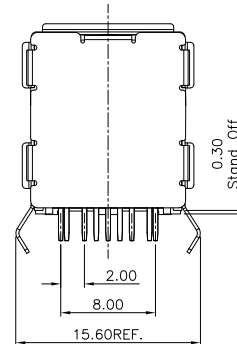
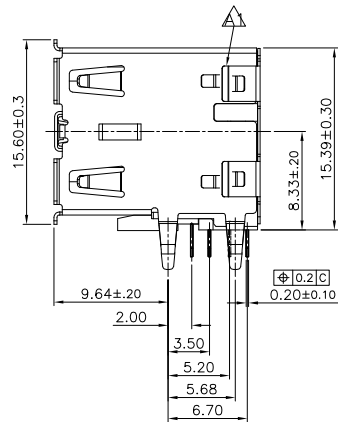
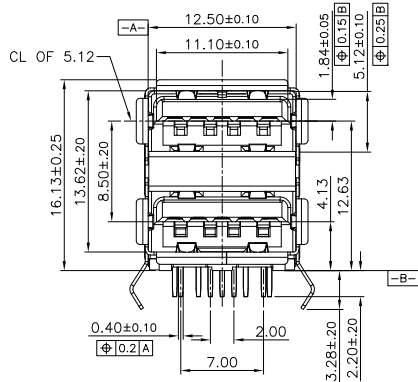


NOTE:

- MATERIAL SPECIFICATION:
 - HOUSING: PA9T BLUE UL94V-0 ROHS
 - CONTACTS: COPPER ALLOY.
 - SHELL: STAINLESS STEEL.
- PLATING SPECIFICATION:
 - CONTACTS:
 - Ni 50u" MIN. UNDER PLATED OVER ALL. Au PLATED ON THE FUNCTIONAL AREA OF CONTACT.
 - SHELL:
 - Ni 30u" MIN. UNDER PLATED OVER ALL.
 - MECHANICAL PERFORMANCE:
 - INSERTION FORCE: 3.57kgf MAX
 - REMOVAL FORCE: 1.02kgf MIN
 - DURABILITY: 5000 CYCLES.
 - ELECTRICAL PERFORMANCE:
 - CURRENT RATING: 1.5A
 - VOLTAGE RATING: 30V MAX
 - Contact Resistance: 30m Ohm Max.
 - INSULATION RESISTANCE: 100MΩ MIN
 - Dielectric Withstanding Voltage: 100V AC Min
 - ENVIRONMENTAL PERFORMANCE:
 - OPERATING TEMPERATURE: -40°C~+85°C.

WLU4F9-18 1 X X 01-007

PLATING: 1-G/F 2-AU 3U" 3-AU 5U" 5-AU 15U" 6-AU 30U"
Colour: A:Black G:Blue



REV.	REVISION RECORD	DATE		GENERAL TOLERANCES		SCALE: 1:1	NAME	DATE	PART. NO:	DWG. NO:	
A0	NEW RELEASE	21.01.13		LINEAR	ANGLES	APPROVED	Wang_jr	21.01.13	WLU4F9-181XX01-007	ENDE05	
			UNIT: mm	0.00±0.25	X° REF±6°	DESIGNER	Ding_bo	21.01.13	TITLE:		REV: A0 SHEET: 1/1
			SIZE: A4	0.000±0.10	X° X'±2°	DRAWN	Ou_jian	21.01.13	USB3.1 AF 双层 DIP 四脚插板		